

# Consumption meter for PROAIR system

- cod. GAD100014



## DESCRIPTION

The 'ProAir' system consumption meter measures the instantaneous power of the ventilation unit combined with the 'Polaris 5X' controller and records the energy from the moment it is supplied.

The data is stored in the "Polaris 5X" controller or in the "Tecnosystemi" app, broken down by day, week, month and year.

Dialogue with the controller takes place via radio frequency.

The meter is provided with a current sensor and connection cable.

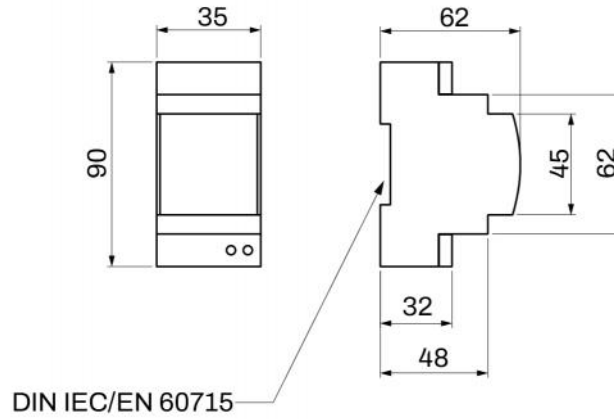
A warning LED and a configuration button are installed on the meter at the Polaris controller.

The consumption meter is ONLY compatible with the Polaris 5X controller.

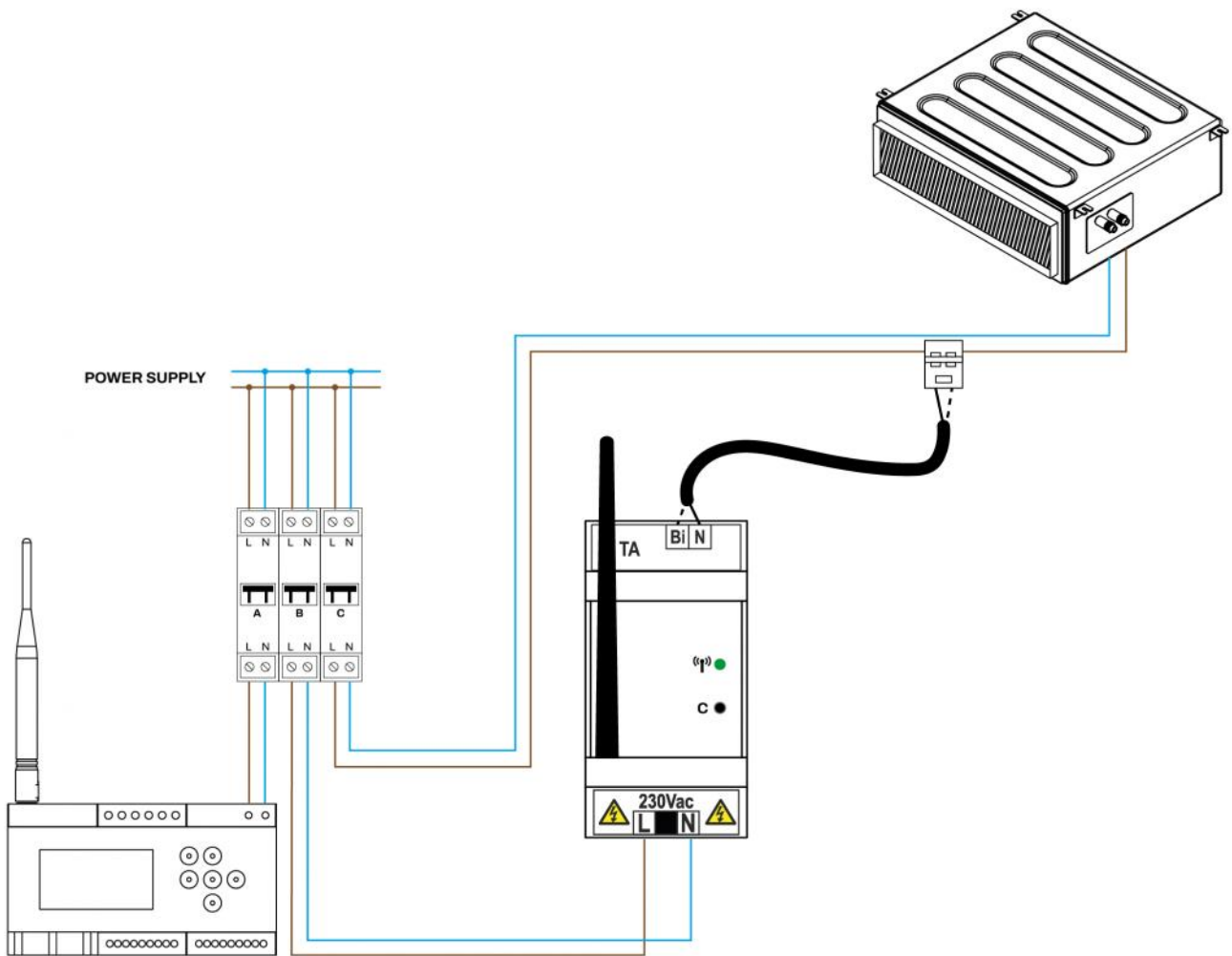
## TECHNICAL SPECIFICATIONS

	TECHNICAL SPECIFICATIONS
Power supply:	VIA RJ45 BUS (24 Vdc)
Connection:	8-pin cable with RJ45 plug
Maximum operating current:	70 A
Diagnostic indications:	1 LED
Operating temperature:	-10°C ÷ +50°C
Storage temperature:	-20°C ÷ +70°C
Protection rating:	IP20
Assembly:	35 mm DIN rail

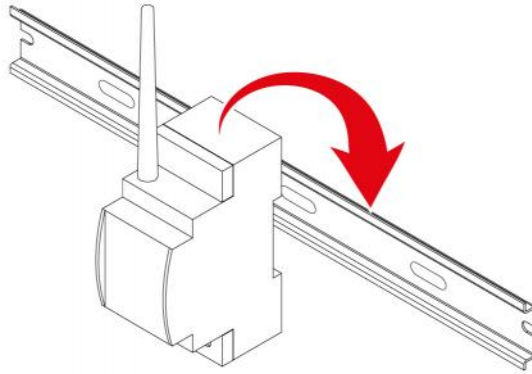
**DIMENSIONS**



## ELECTRICAL CONNECTIONS



## ASSEMBLY



## NOTE

Installation within a technical room / electric panel is mandatory.

## ITEMS

CODE	DESCRIPTION
GAD100014	CONSUMPTION METER FOR PARAIR SYSTEM

All rights relating to this publication are the exclusive property of Tecnosystemi SpA.  
Tecnosystemi SpA reserves the right to make changes at any time and without notice, for technical or commercial needs.