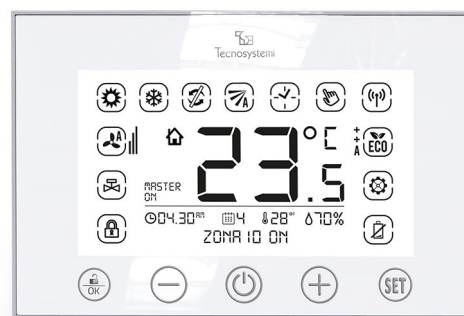


DISCOVERY 3X

Wall-mounted, backlit programmable thermostat touch, battery-run, radio frequency

- cod. GAD100005



DESCRIPTION

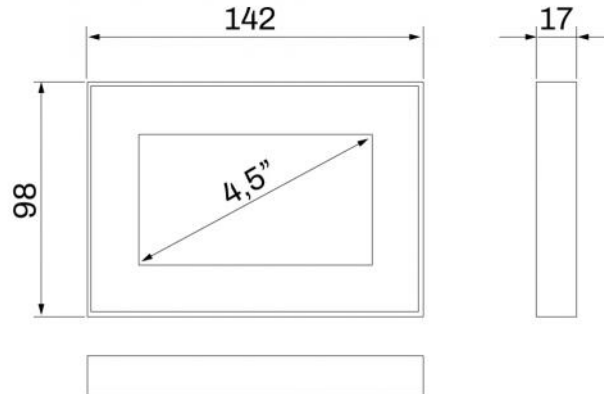
The DISCOVERY 3X chronothermostat makes it possible to perform quick operations to manage the room, adjusting the set point temperature, the flow of air emitted from the dampers or vents, or the automatic blocking of functions, avoiding accidental interventions or those performed by unqualified personnel.

The programmable chronothermostat is equipped with a backlit 4.5" LCD display and a touch keypad.

The programmable chronothermostat is wall-mounted quickly, using a coupling template supplied which allows it to be easily attached and detached with a slight pressure.

The DISCOVERY 3X zone chronothermostat works exclusively together with the POLARIS controller.

DIMENSIONS



TECHNICAL SPECIFICATIONS

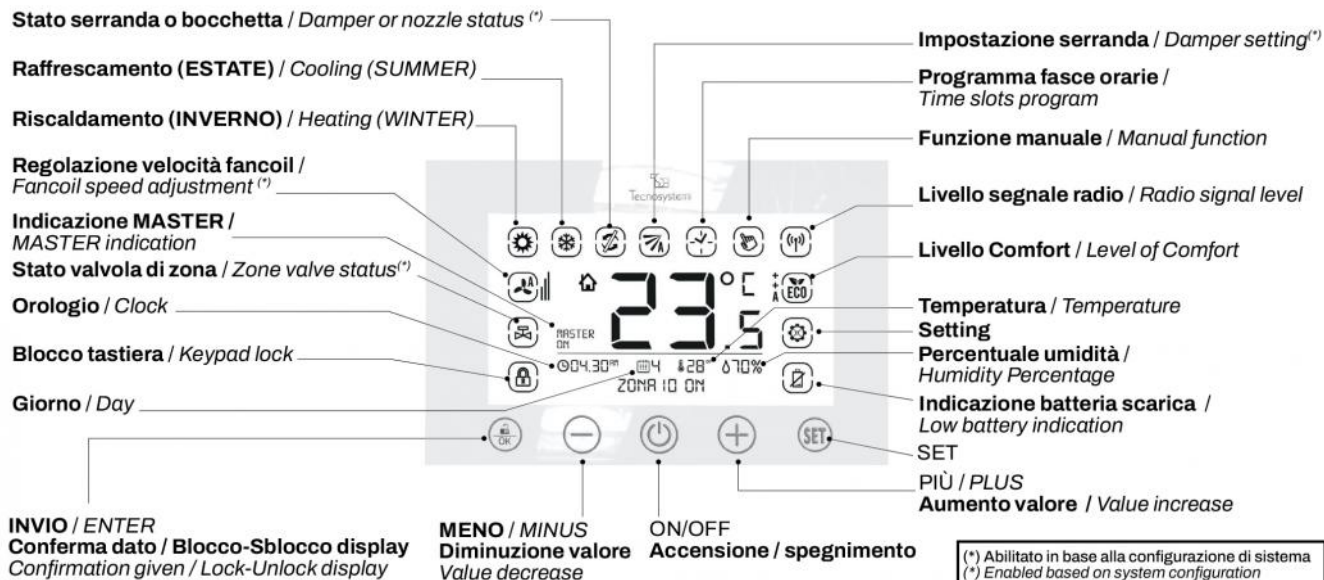
TECHNICAL SPECIFICATIONS	
Power supply:	2 AAA 1.5 V batteries
Battery life:	>1 year
Protection rating:	IP30
Operating temperature:	0° C ÷ +40° C
Storage temperature:	-10° C ÷ +50° C
Operating humidity:	20% ÷ 80% RH
Radio communication frequency:	868 MHz
Temperature control setpoint:	10° C ÷ 35° C
Measured temperature resolution:	0.1° C
Transmission range:	up to 50 m in open field
Weight (without batteries):	75 g
Body material:	ABS white
Front material:	white PMMA

FUNCTIONS

- Room temperature and set point value
- Features: chronological or manual
- Touch keypad and backlit display
- Automatic or manual opening adjustment of damper and grille
- Key lock
- Temperature scale °C / °F
- RH display in %
- Clock (AM - PM / 24h)
- Weekly and monthly programming
- Wall mounted using template, screws and fixing plugs supplied
- Ducted set point adjustment (if present in the system)
- Fan coil or ducted speed adjustment.

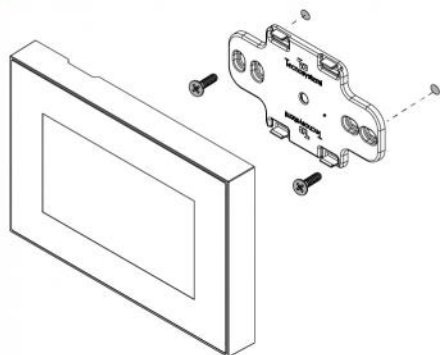
- MASTER option (supervisor)

DISPLAY

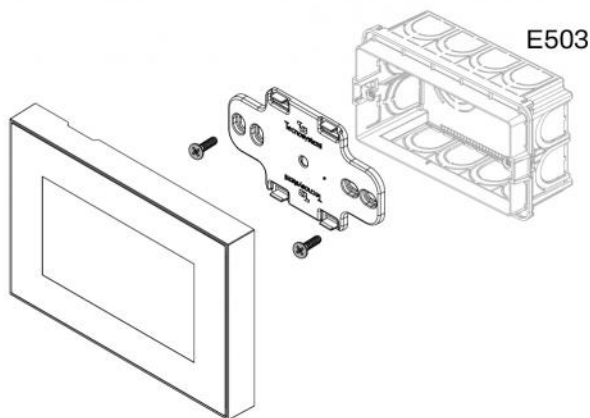


ASSEMBLY

A



B



ITEMS

CODE	DESCRIPTION
GAD100005	LUMIX WHITE, WALL-MOUNTED, RADIO FREQUENCY PROGRAMMABLE THERMOSTAT - BACKLIT, DISCOVERY 3X

All rights relating to this publication are the exclusive property of Tecnosystemi SpA.
Tecnosystemi SpA reserves the right to make changes at any time and without notice, for technical or commercial needs.