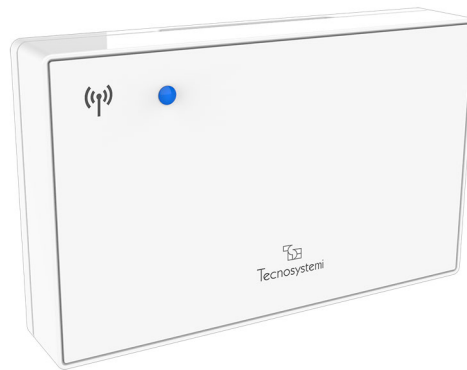


LEM 3X RF

wall-mounted room probe with radio frequency batteries

- cod. GAD100011



DESCRIPTION

The LEM 3X RF room probe detects the temperature and humidity of the area in which it is installed, sending the recorded values to the POLARIS controller.

In a ProAir system that provides one or more LEM probes, at least one DISCOVERY 3X, STEALTH 3X or MINI ASTRA led MASTER chronothermostat must be installed.

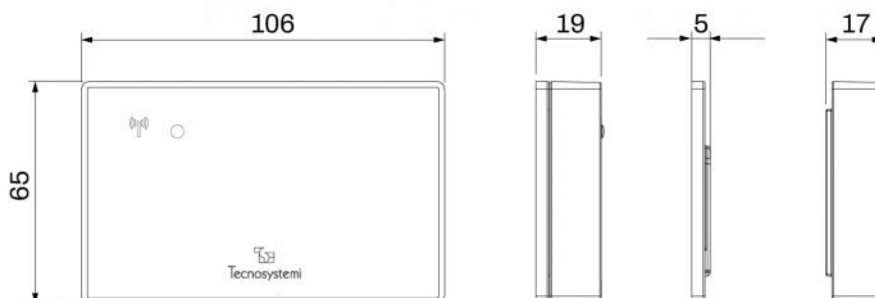
The ProAir system **CANNOT** work with LEM 3X RF probes **ONLY**.

The probe configurations to the system and the settings are carried out from the POLARIS controller, from the MASTER chronothermostat or from the Tecnosystemi app (if installed).

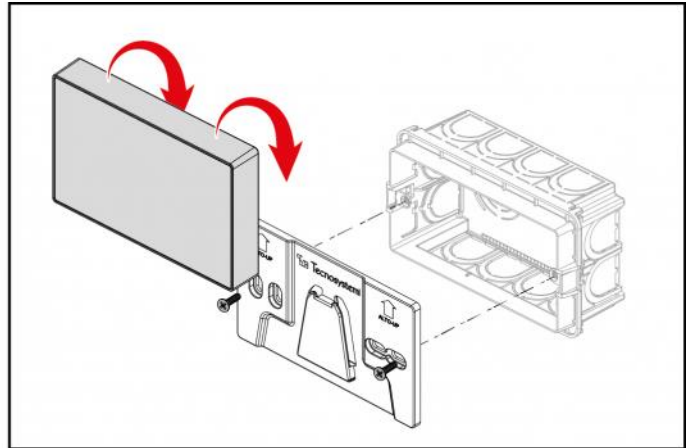
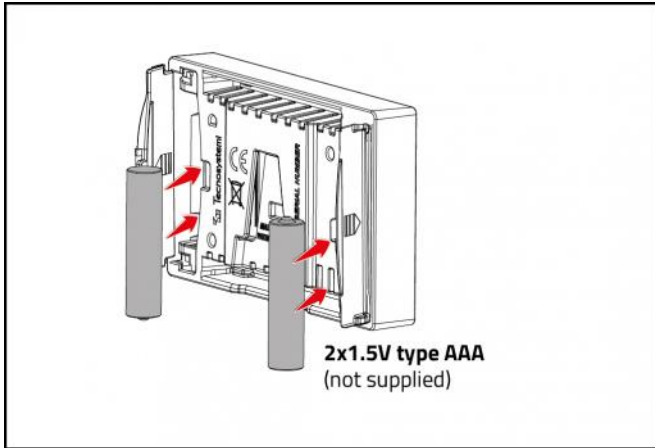
TECHNICAL SPECIFICATIONS

TECHNICAL SPECIFICATIONS	
Power supply:	2 AAA 1.5 V batteries
Battery life:	8gt;1 year
Protection rating:	IP30
Operating temperature:	0° C ÷ +40°C
Storage temperature:	-10°C ÷ +50°C
Operating humidity:	20% ÷ 80% RH
Radio communication frequency:	868 MHz
Transmission range:	up to 50 m in open field
Weight (without batteries):	183 g
Body material:	ABS white
Front material:	white PMMA
Battery powered and radio frequency data transmission	LEM probes must always be combined with a Discovery 2x or Stealth 3x thermostat carrying out the master function

DIMENSIONS



ASSEMBLY



ITEMS

CODE	DESCRIPTION
GAD100011	"LEM 3X" WALL-FITTED ROOM PROBE WITH BATTERIES ON RADIO FREQUENCY- LUMIX WHITE

All rights relating to this publication are the exclusive property of Tecnosystemi SpA.
 Tecnosystemi SpA reserves the right to make changes at any time and without notice, for technical or commercial needs.