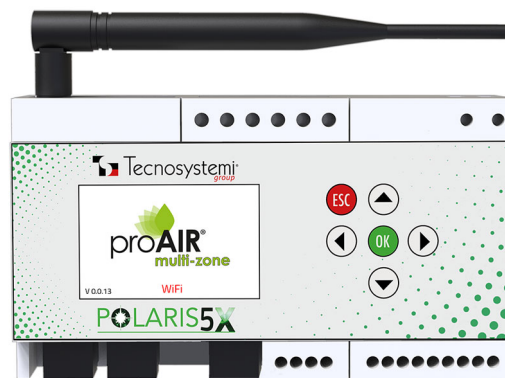


POLARIS 5X (WI-FI)

single control unit with colour display, communication protocols and Alexa app - Google Home

- cod. GAD100012



TECHNICAL SPECIFICATIONS:

- Power supply 230 V - 50/60 Hz
- Dimensions W 160 x D 90 x H 34 mm
- Wall mounted or DIN rail mounted
- 2.5" LCD colour display
- Membrane configuration keypad
- Data transmission in RF 868 MHz with 50m range in open field
- Data transmission through a 4 x 0.22 cable with a range up to 100 m between Polaris 5X and the last chronothermostat
- ON/OFF management
- Dehumidification management in floor cooling feature with EV
- 0-10V management
- 3 speeds management (via relay module)
- Arrangement for monitoring the energy consumption of the air conditioning system
- Ready for window contact
- Arrangement for "ProAir" system control via voice command
- Arrangement for "ProAir" system control via the integrated WI-FI module and PROAIR MULTI-ZONE application
- Over 30 integrated communication protocols
- On/off inputs for alarms
- Uscite OUT1 e OUT2 per la gestione di serrande, bocchette e modulo relè per la gestione di fan coil a parete e impianti radianti a pavimento
- Bootloader feature that allows firmware update of the control unit

DESCRIPTION

The Polaris 5X controller manages the temperature control system with four control modes of the ducted unit: IR (infrared), 0-10V analogue signal, ON/off control and 3-Speed control. This versatility allows optimal integration with different types of systems, ensuring precise management which can be adapted to the user's needs.

The system can control heating, cooling and dehumidification systems supporting air-to-air, radiant and hybrid technologies.

The Polaris 5X includes a weekly programming function to switch the systems on and off, improving the automation of the system and reducing energy consumption. Compatibility with wired and radio frequency thermostats increases the flexibility of integration with existing systems.

The controller is equipped with a series of accessories for integration, including expansion modules for fan coils and zone valves, sensors or window contacts and a consumption meter, offering advanced control and optimized energy management.

For remote control, the controller is compatible with Amazon Alexa and Google Home voice assistants, allowing the air conditioning system to be managed through voice commands or a dedicated Tecnosystemi app.

FUNCTIONS

- Interface: 2.5" LCD display and keypad
- Wired zone thermostat management
- Radio zone thermostat management
- Zone actuator management
- Communication with radio frequency zone thermostats
- ON/OFF direct expansion ducted management
- 3 Speed direct expansion ducted management
- Direct expansion ducted management via IR (30 integrated protocols)
- Ducted management via 0/10V
- Dehumidification system ON/off control in floor cooling feature
- Control via local or remote WiFi 2.4Ghz via dedicated App and voice assistants
- Digital input for alarm management
- Updating the controller
- Management of up to 16 zones - 32 Actuators
- Ventilation By-Pass control
- Menu available in 4 languages (Italian, English, German and French)

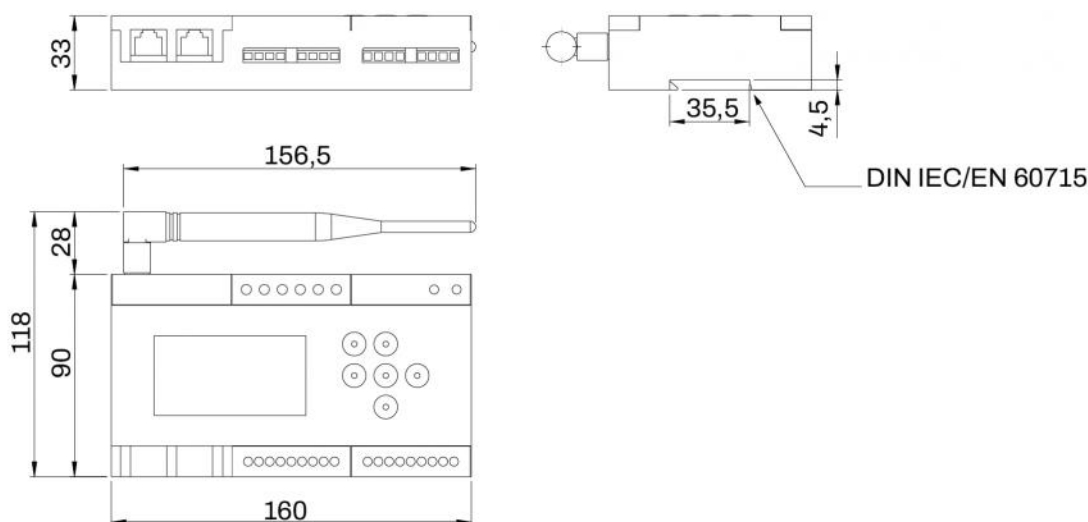
ACCESSORIES

- Wired thermostats
- Radio thermostats
- Consumption meter
- Fan coil relay board
- Ducted 3-speed relay board
- Contact window
- Interconnection cables
- By Pass
- Grilles
- Motorised dampers

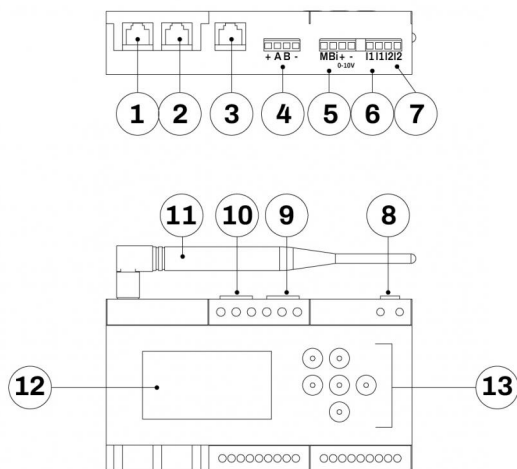
TECHNICAL SPECIFICATIONS

TECHNICAL SPECIFICATIONS	
Power supply:	230 Vac - 50/60 Hz
Radio communication frequency:	868 MHz
Radio transmission range:	up to 50 m in open field
Cable transmission load capacity:	up to 100 m max between Polaris and the last device in the chain
Electrical insulation class:	II
Degree of pollution:	3
Category of overvoltage	II
Rated input voltage	4000 V
Operating temperature:	-10°C ÷ 50°C
Storage temperature:	-20°C ÷ +70°C
Protection rating:	IP20
DIN Assembly:	DIN (DIN EN 50022 norm)
Casing material:	PC/ABS
Digital inputs:	2
Analogue output:	0-10V fan proportional control
IR control:	1 IR control
Digital output:	2 5A SPDT at 250V
Local bus line OUT 1-2	2 LOCAL BUS actuators, bus actuators
Thermostat local bus line	1 LOCAL BUS thermostat, wired thermostat bus
WiFi	2.4 GHz
Weight:	420 g

DIMENSIONS



REFERENCES



1. Output OUT1 for damper, nozzle or 3V Fancoil relay module connection
2. Output OUT2 for EV relay module connection
3. Expansion modules output
4. Stealth chronothermostat connection output
5. IR transmitter cable connection output
6. 0-10V output
7. Alarm connection inputs
8. Power supply 230VAC
9. Ducted ON/off output
10. Dehumidifier ON/OFF output
11. Radio frequency antenna for radio frequency chronothermostats
12. 2.5" LCD colour display
13. Keypad

COMPATIBLE COMMUNICATION PROTOCOLS

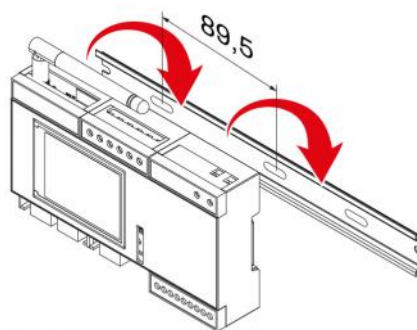
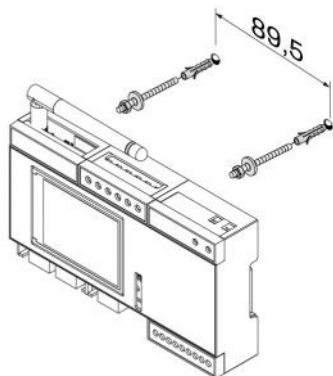


The Polaris controller is equipped with communication protocols capable of sending the main settings to the ducted unit, without using the remote control supplied.

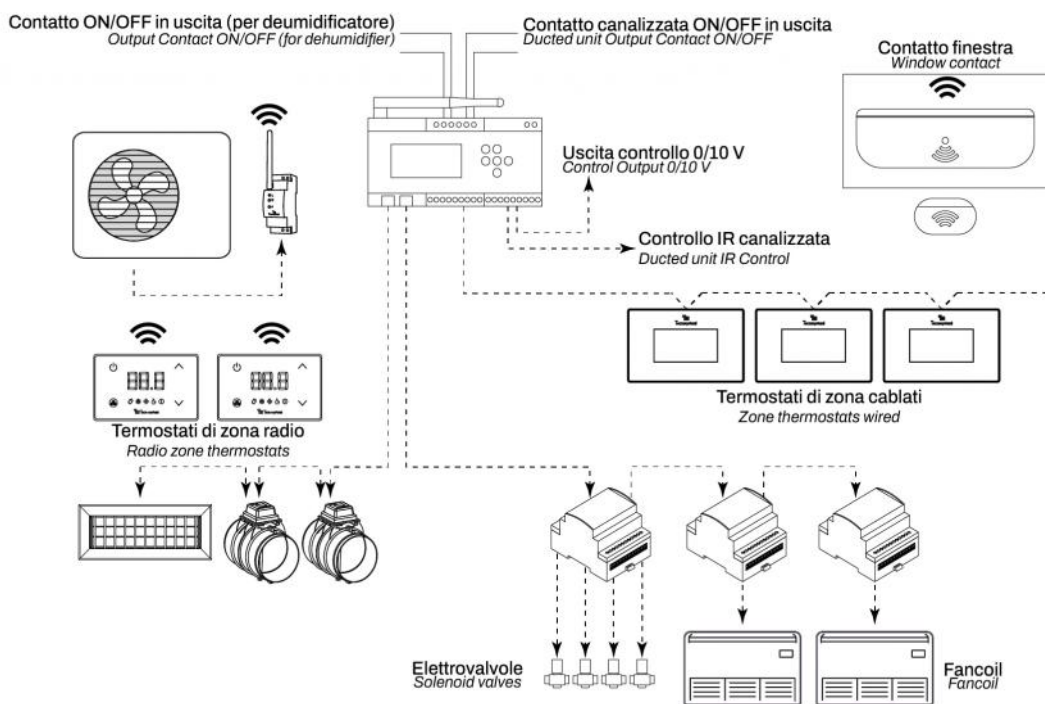
This allows you to set and manage the operating modes of both the ducted unit and the PROAIR system, directly from the Master thermostat or the Proair Multi-Zone Control System App.

WARNING: check that the ducted unit has an infrared receiver (as standard or as an additional accessory) and that the protocol is present in the controller.

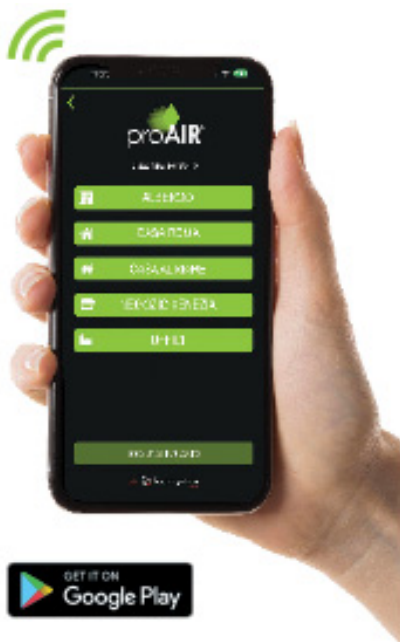
ASSEMBLY EXAMPLES



EXAMPLE OF INSTALLATION:



TECNOSYSTEMI APP



The Tecnosystemi App can be installed to access the functions of the Polaris 5X controller.

The App allows you to remotely monitor and manage the air conditioning system in real time.

ITEMS

CODE	DESCRIPTION
GAD100012	CONTROL UNIT WITH COMMUNICATION PROTOCOLS, APP - ALEXA GOOGLE HOME "POLARIS 5X" WI-FI

All rights relating to this publication are the exclusive property of Tecnosystemi SpA.
 Tecnosystemi SpA reserves the right to make changes at any time and without notice, for technical or commercial needs.