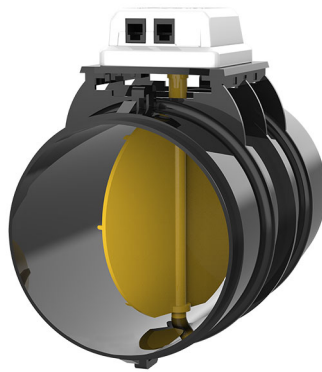


PROAIR MULTI - ZONE

motorised circular damper / motorised circular by-pass for system

- cod. 11181530 - cod. 11181540



DESCRIPTION

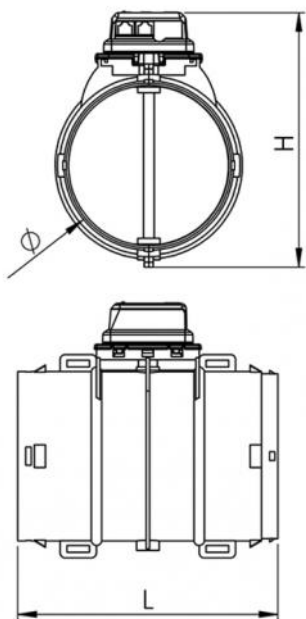
The motorised circular dampers for the "ProAir Multizone" system are made of anti-condensation plastic material and guarantee excellent thermal insulation between the indoor and outdoor environment.

The damper motor can be easily removed from its housing and oriented in four positions, according to installation needs.

The connection cable used is of the 8-wire telephone type with RJ45 plug connection.

Up to 16 motorised dampers can be connected in a cascade.

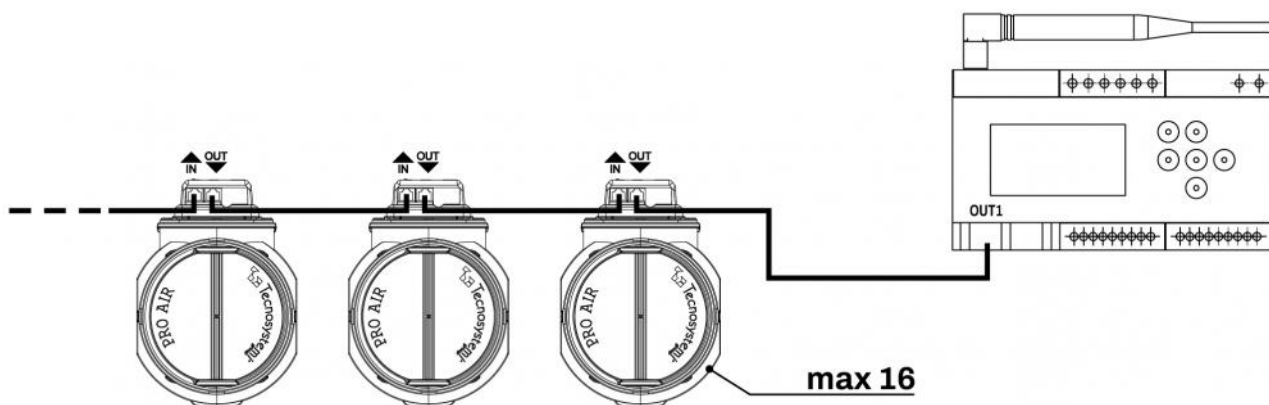
The automatic or manual management of the damper allows the butterfly to move to one of the 4 positions pre-set by the system: 0%, 33%, 66% and 100%.



DIMENSIONS

CODE	Ø COUPLER [mm]	H [mm]	L [mm]	MAX. AIR FLOW RATE [m³/h]
11181530	250	330	280	1060
11181540	300	380	350	1526

ELECTRICAL CONNECTIONS



Up to 16 motorised dampers can be connected in a cascade.

ATTENTION! Use only Tecnosystemi cables - do not use cables other than those indicated in order not to compromise the correct functioning of the system.

Always provide an inspection hatch for access to the control unit and dampers.

Always install the dampers with the motor facing downwards.

OPTIONAL ACCESSORIES

Quick fixing collar on plenum for motorised circular damper Ø150-200-250-300



ITEMS

CODE	DESCRIPTION
11181530	ELECTRIC ROUND DAMPER / ELECTRIC ROUND Ø 250 BY-PASS FOR PRO AIR MULTI-ZONE SYSTEM
11181540	ELECTRIC ROUND DAMPER / ELECTRIC ROUND Ø 300 BY-PASS FOR PRO AIR MULTI-ZONE SYSTEM

All rights relating to this publication are the exclusive property of Tecnosystemi SpA.
 Tecnosystemi SpA reserves the right to make changes at any time and without notice, for technical or commercial needs.