

Relay module for radiant systems and fan coils

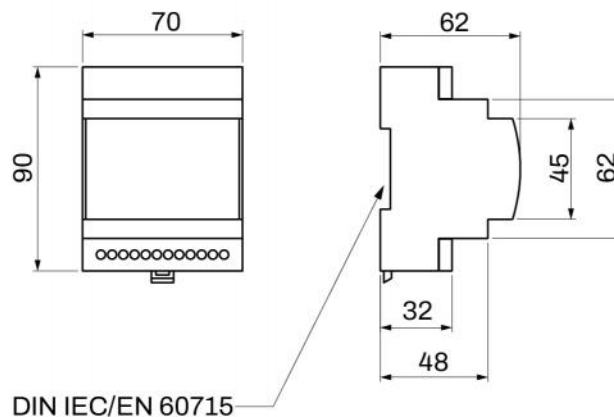
- cod. 11181407



DESCRIPTION

Relay module for the management of radiant, hydronic and fan coil systems.
It has 4 output relays, indication / signalling LEDs and an input for external temperature sensor.

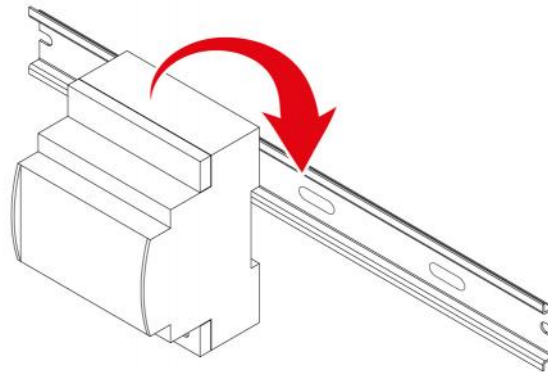
DIMENSIONS



TECHNICAL SPECIFICATIONS

	TECHNICAL SPECIFICATIONS
Power supply:	VIA BUA RJ45 (24 Vdc)
Connection:	8-pin cable with RJ45 plug
Diagnostic indications:	1 "L1" LED
Relay status indications:	4 "R" LEDs
Operating temperature:	-10°C ÷ +50°C
Storage temperature:	-20°C ÷ +70°C
Input for external temperature sensor:	1
NTC type input:	1 - 10 kΩ at 25°C (not supplied)
Maximum contact capacity:	8A at 250 Vac
Maximum contact capacity:	6A at 30 Vac
Protection rating:	IP20
Assembly:	35 mm DIN rail

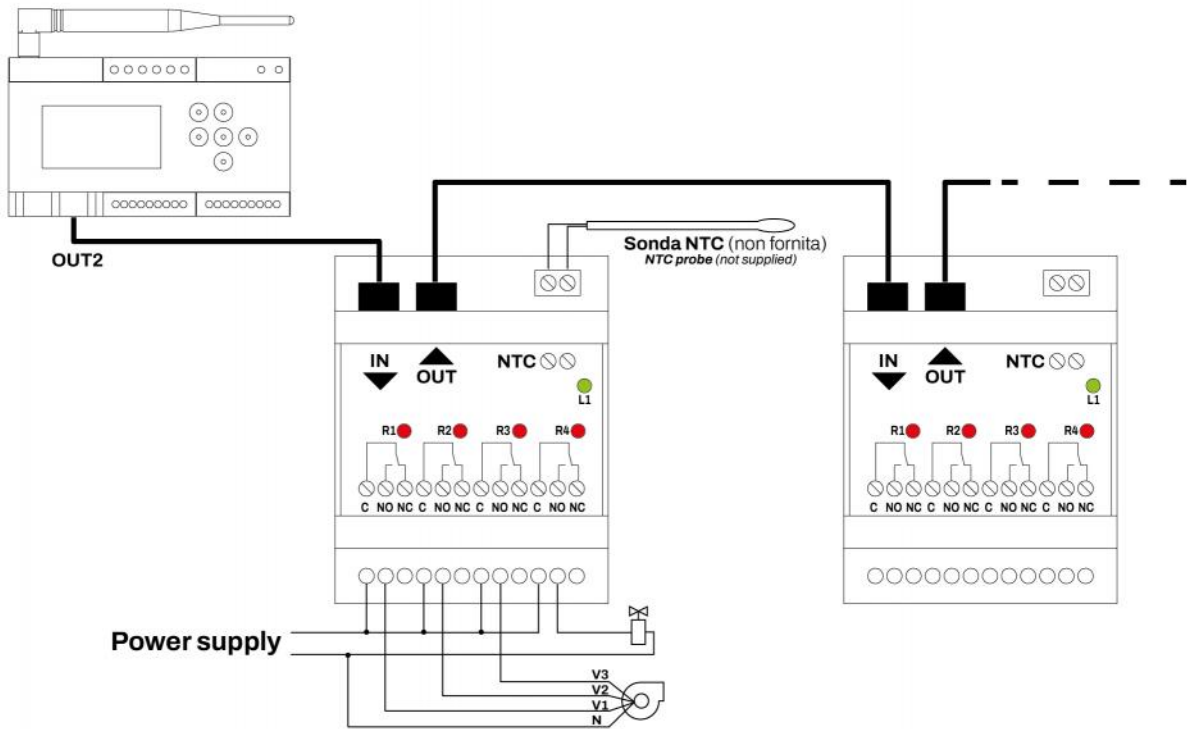
EXAMPLE OF ASSEMBLY



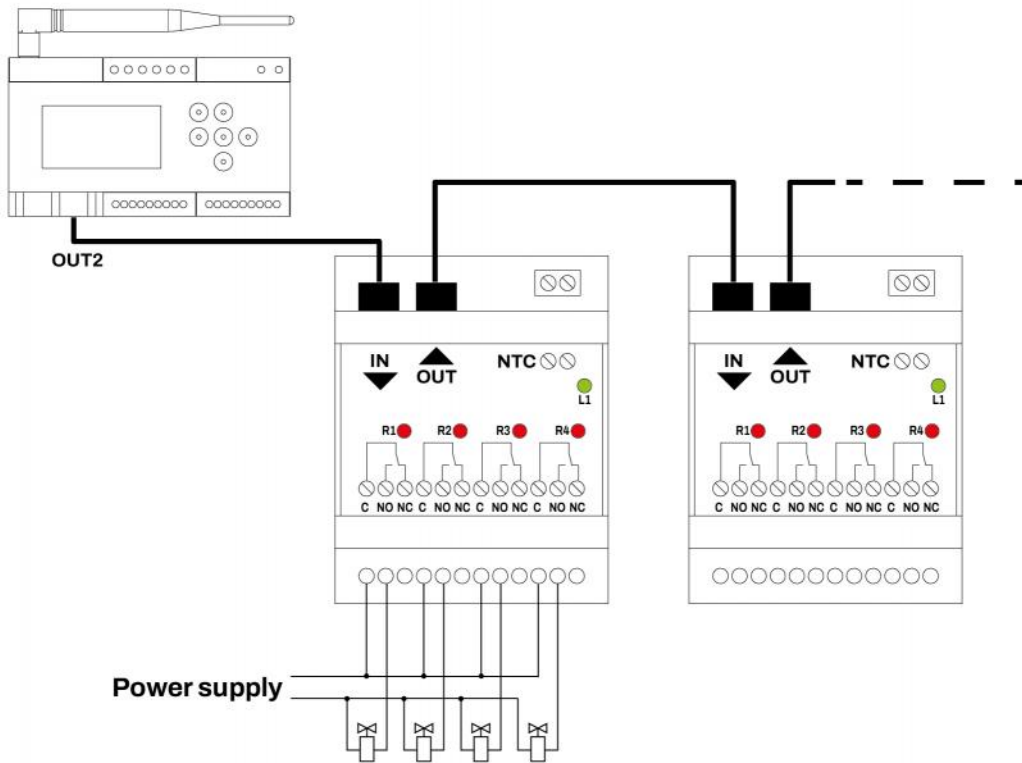
NOTE

Installation within a technical room / electric panel is mandatory.

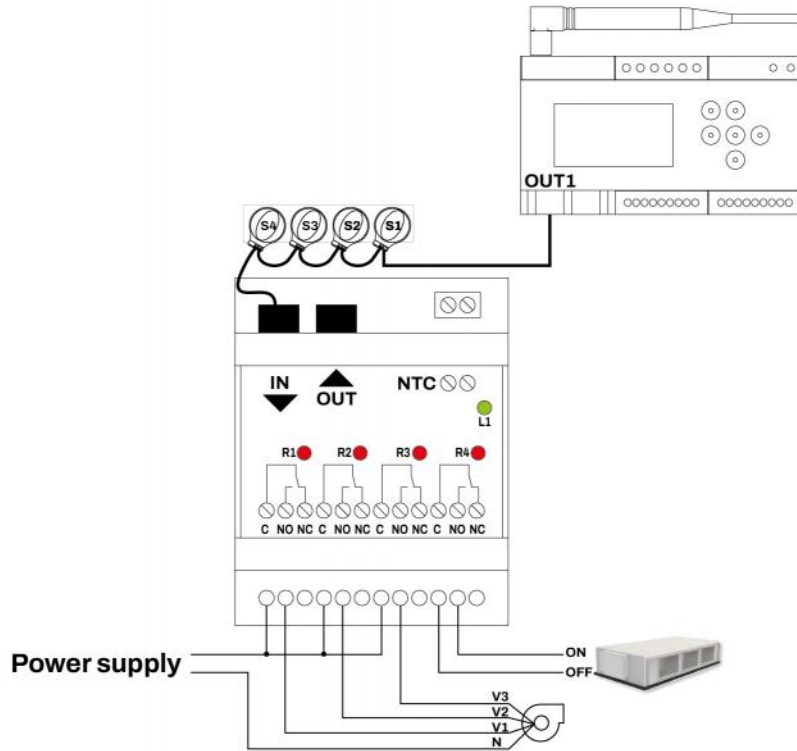
FANCOIL CONNECTION EXAMPLE



ZONE ACTUATOR CONNECTION EXAMPLE



3V DUCTED CONNECTION EXAMPLE



ITEMS

CODE	DESCRIPTION
11181407	RELAY MODULE FOR FAN COIL OR ZONE VALVES

All rights relating to this publication are the exclusive property of Tecnosystemi SpA.
 Tecnosystemi SpA reserves the right to make changes at any time and without notice, for technical or commercial needs.