

Window contact in radio frequency for PROAIR system (also prepared for wiring)

- cod. GAD400254



DESCRIPTION

The window contact module ensures energy saving.

When doors and windows are opened, the window contact (transmitter) automatically signals to the "Polaris" controller the closure of the area dampers, vents, fan coils or solenoid valves for the floor systems to which it is paired.

The absence of wiring allows for quick installation; the RF transmitter communicates with the controller via radio frequency.

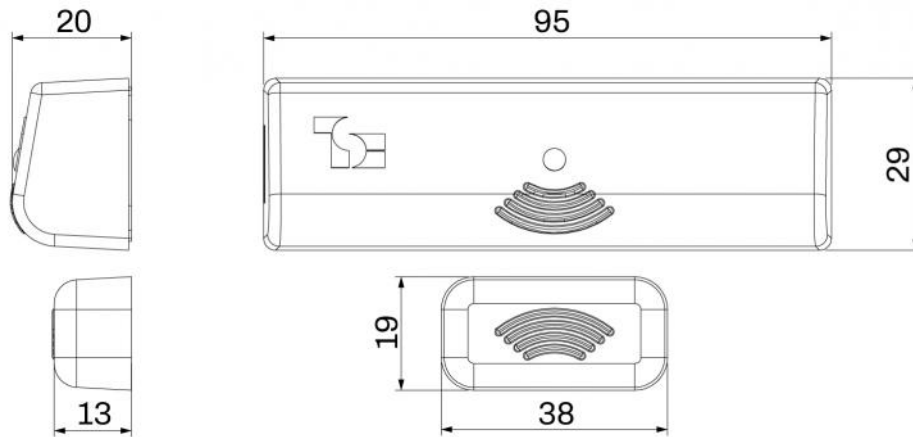
For more complex applications, the window contact can be wired to ensure its functionality at all times.

In addition, the window contact (RF transmitter), if configured, can assume the No Badge function and still allow the damper to be closed.

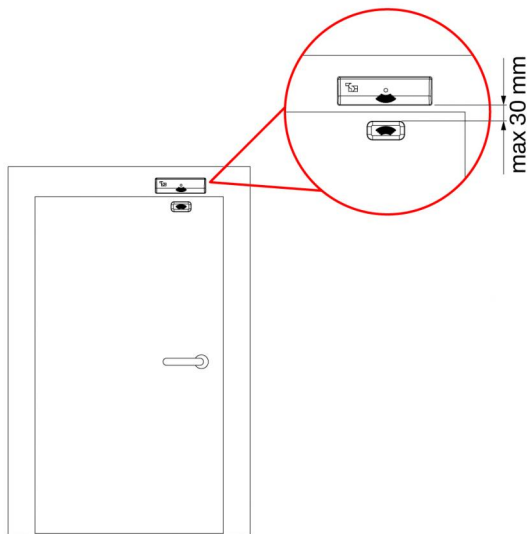
TECHNICAL SPECIFICATIONS:

- Power supply CR2032 battery (supplied as standard)
- RF transmission with "Polaris" control unit
- RF module and magnet
- RF module provided with terminal for management of a wired window contact
- Red window open LED
- Can be configured by the "Polaris" control units for Badge Management
- RF transmitter module dimensions 95 x 29 x 20 mm
- Dimensions of magnet 38 x 19 x 13 mm
- Fastening by means of double-sided adhesive supplied
- L'apertura del contatto comporta: chiusura della serranda e/o l'apertura delle elettrovalvole di zona, indicazione sul display del cronotermostato, indicazione in applicazione ProAir Multizone

DIMENSIONS



INSTALLATION



1. Place the RF module on the fixed part of the window/door (frame) using the double-sided adhesive.
2. Place the magnet on the movable part of the window / door (panel) using the double-sided adhesive.

CAUTION: observe the maximum distance indicated. A distance greater than that indicated will compromise operation of the device.

FUNCTIONS

Opening the contact involves:

- Closure of the damper and/or opening of the zone solenoid valves
- Indication on the display of the chronothermostat
- Display in Tecnosystemi app

ITEMS

CODE	DESCRIPTION
GAD400254	WINDOW CONTACT FOR PROAIR SYSTEM

All rights relating to this publication are the exclusive property of Tecnosystemi SpA.
Tecnosystemi SpA reserves the right to make changes at any time and without notice, for technical or commercial needs.