

PROAIR PACK RF RED 2

with "Eolo" plenum

- cod. GAD400359 - cod. GAD400360 - cod. GAD400493
- cod. GAD400409



Programmable thermostat combination:

- 2 DISCOVERY 3X timed thermostats
- 1 timed thermostat DISCOVERY 3X + 1 timed thermostat MINI DISCOVERY 3X
- 1 DISCOVERY 3X timed thermostats + 1 LEM 3X RF room probes

DESCRIPTION

The pre-assembled systems PROAIR PACK RF - EOLO are designed to facilitate and speed up the installation of a ducted system.

The system is supplied complete with the POLARIS controller, chronothermostats (see list of possible combinations) and mechanical by-pass kit to be installed on the plenum (complete with fixing ring and counterweight).

When ordering, it is important to indicate the selected PLENUM model.

The plenums have a double connection on the entire range Ø 150/200 mm.

In order to ensure ease and speed of installation, the systems are assembled, configured and tested 100% by qualified personnel.

CONTENTS OF THE PROAIR PACK

MODEL	DESCRIPTION	Qty.
EOLO	DELIVERY PLENUM IN SINTERED POLYSTYRENE (specify brand and model of the channelled unit when ordering)	1
POLARIS 5X	CONTROLLER WITH PRELOADED PROTOCOLS, APPS, ALEXA AND GOOGLE HOME	1
	CHRONOTHERMOSTATS (see list of possible combinations)	(see list of possible combinations)
	MOTORISED DAMPERS (pre-wired)	2
	MECHANICAL BY-PASS KIT	1

Attention! Check with the manufacturer of the ducted indoor unit whether a suitable interface should be used to control it.

NOTE

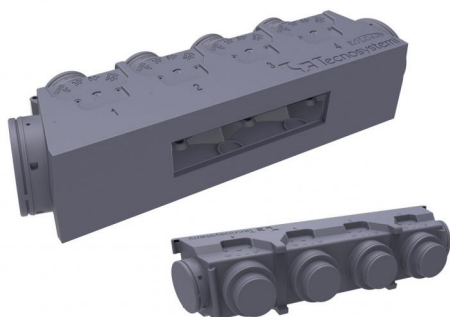
For further information, refer to the technical data sheets of the individual PRO AIR MULTI-ZONE products

PROGRAMMABLE THERMOSTAT COMBINATION

CODE	Qty. x CHRONOTHERMOSTAT MODEL
GAD400359	2x DISCOVERY 3X
GAD400360	1x DISCOVERY 3X + 1x MINI DISCOVERY 3X
GAD400493	2x MINI LED ASTRA
GAD400409	1x DISCOVERY 3X + 1x LEM 3X RF PROBE

EOLO - DELIVERY PLENUM IN POLYSTYRENE

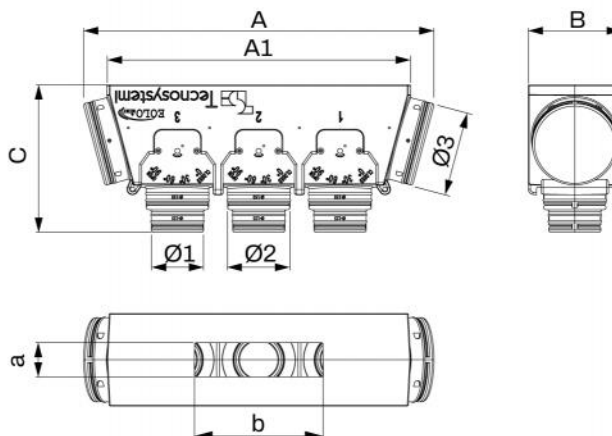
Plenum made of sintered expanded polystyrene.
Specify the PLENUM code when ordering



PLENUM EOLO TECHNICAL CHARACTERISTICS

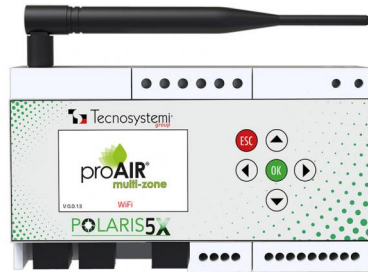
TECHNICAL SPECIFICATIONS	REFERENCE STANDARD	VALUE
Material		Expanded sintered polystyrene
Thermal conductivity	EN 12667 - EN 12939	0,030 ÷ 0,033 W/mK
Thermal resistance 30mm thickness		0,95 m ² K/W
Resistance to the passage of steam	EN 12086	40 ÷ 70 μ
Operating temperature		-30° C / +90°C
Water absorption	EN 12087	≤5% of the volume
Fire reaction class	EN 13501-1	E

DIMENSIONS



MODEL	A [mm]	A1 [mm]	B [mm]	C [mm]	a [mm] MAX	b [mm] MAX	Ø1 [mm]	Ø2 [mm]	Ø3 [mm]
E2	741	691	244	348	215	550	2x Ø 125	2x Ø 150	2x Ø 200
A3	1000	950	264	348	215	800	3x Ø 125	3x Ø 150	2x Ø 200
B4	1261	1211	284	348	235	1060	4x Ø 125	4x Ø 150	2x Ø 200
C5	1520	1470	304	348	245	1300	5x Ø 125	5x Ø 150	2x Ø 200

POLARIS - CONTROLLER



The Polaris 5X controller manages the temperature control system with four control modes of the ducted unit: IR (infrared), 0-10V analogue signal, ON/off control and 3-Speed control. This versatility allows optimal integration with different types of systems, ensuring precise management which can be adapted to the user's needs.

The system can control heating, cooling and dehumidification systems supporting air-to-air, radiant and hybrid technologies.

The Polaris 5X includes a weekly programming function to switch the systems on and off, improving the automation of the system and reducing energy consumption. Compatibility with wired and radio frequency thermostats increases the flexibility of integration with existing systems.

The controller is equipped with a series of accessories for integration, including expansion modules for fan coils and zone valves, sensors or window contacts and a consumption meter, offering advanced control and optimized energy management.

For remote control, the controller is compatible with Amazon Alexa and Google Home voice assistants, allowing the air conditioning system to be managed through voice commands or a dedicated Tecnosystemi app.

The controller integrates over 30 communication protocols compatible with different brands of ducted units.

FUNCTIONS

- Interface: 2.5" LCD display and keypad
- Wired zone thermostat management
- Radio zone thermostat management
- Zone actuator management
- Communication with radio frequency zone thermostats
- ON/OFF direct expansion ducted management
- 3 Speed direct expansion ducted management
- Direct expansion ducted management via IR (30 integrated protocols)
- Ducted management via 0/10V
- Dehumidification system ON/off control in floor cooling feature
- Control via local or remote WiFi 2.4Ghz via dedicated App and voice assistants
- Digital input for alarm management
- Updating the controller
- Management of up to 16 zones - 32 Actuators
- Ventilation By-Pass control
- Menu available in 4 languages (Italian, English, German and French)

ACCESSORIES

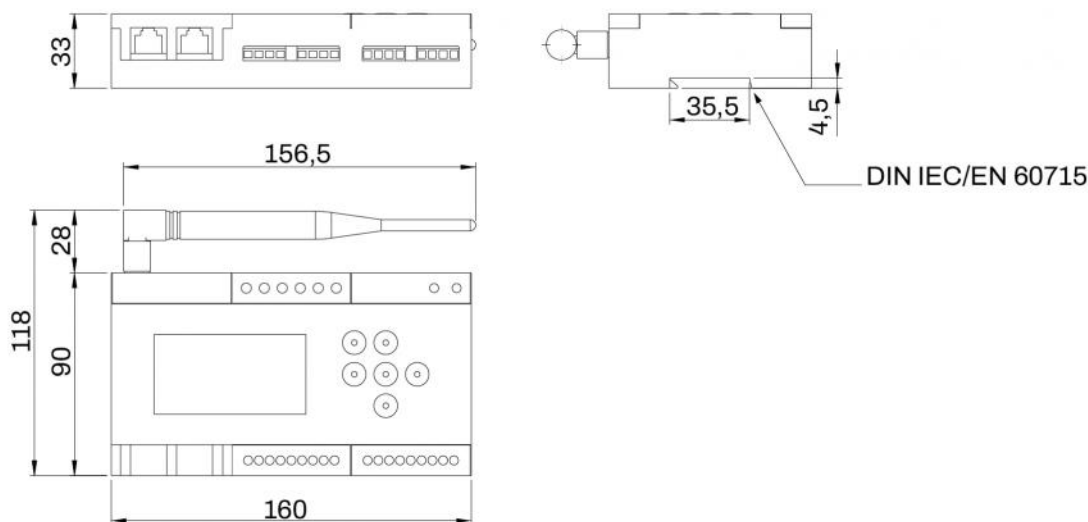
- Wired thermostats

- Radio thermostats
- Consumption meter
- Fan coil relay board
- Ducted 3-speed relay board
- Contact window
- Interconnection cables
- By Pass
- Grilles
- Motorised dampers

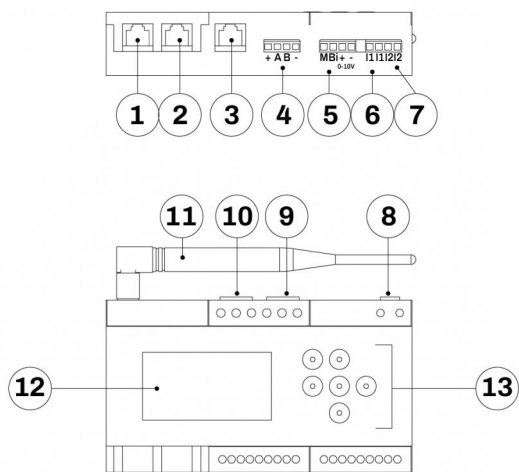
POLARIS 5X TECHNICAL CHARACTERISTICS

TECHNICAL SPECIFICATIONS	
Power supply:	230 Vac - 50/60 Hz
Radio communication frequency:	868 MHz
Radio transmission range:	up to 50 m in open field
Cable transmission load capacity:	up to 100 m max between Polaris and the last device in the chain
Electrical insulation class:	II
Degree of pollution:	3
Category of overvoltage	II
Rated input voltage	4000 V
Operating temperature:	-10°C ÷ 50°C
Storage temperature:	-20°C ÷ +70°C
Protection rating:	IP20
DIN Assembly:	DIN (DIN EN 50022 norm)
Casing material:	PC/ABS
Digital inputs:	2
Analogue output:	0-10V fan proportional control
IR control:	1 IR control
Digital output:	2 5A SPDT at 250V
Local bus line OUT 1-2	2 LOCAL BUS actuators, bus actuators
Thermostat local bus line	1 LOCAL BUS thermostat, wired thermostat bus
WiFi	2.4 GHz
Weight:	420 g

DIMENSIONS



REFERENCES



1. Output OUT1 for damper, nozzle or 3V Fancoil relay module connection
2. Output OUT2 for EV relay module connection
3. Expansion modules output
4. Stealth chronothermostat connection output
5. IR transmitter cable connection output
6. 0-10V output
7. Alarm connection inputs
8. Power supply 230VAC
9. Ducted ON/off output
10. Dehumidifier ON/OFF output
11. Radio frequency antenna for radio frequency chronothermostats
12. 2.5" LCD colour display
13. Keypad

COMPATIBLE COMMUNICATION PROTOCOLS



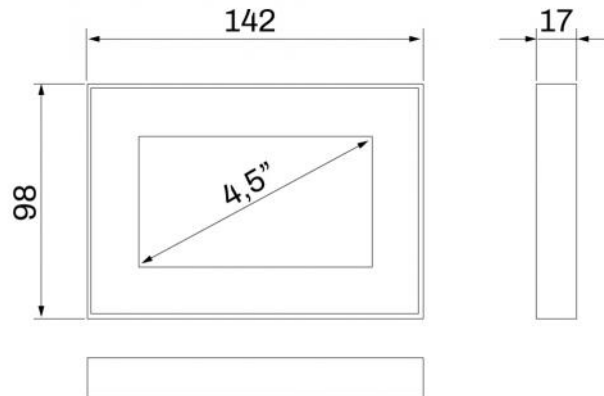
DISCOVERY 3X - CHRONOTHERMOSTAT



The DISCOVERY 3X zone chronothermostat makes it possible to perform quick operations to manage the room, adjusting the set point temperature, the flow of air emitted from the dampers or vents, or the automatic blocking of functions, avoiding accidental interventions or those performed by unqualified personnel.

The DISCOVERY 3X zone chronothermostat works exclusively together with the POLARIS controller.

DIMENSIONS



TECHNICAL SPECIFICATIONS

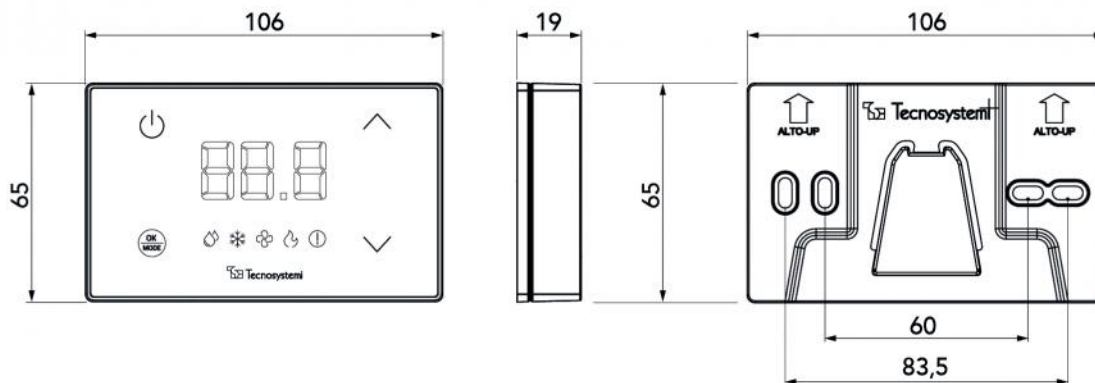
TECHNICAL SPECIFICATIONS	
Power supply:	2 AAA 1.5 V batteries
Battery life:	>1 year
Protection rating:	IP30
Operating temperature:	0° C ÷ +40° C
Storage temperature:	-10° C ÷ +50° C
Operating humidity:	20% ÷ 80% RH
Radio communication frequency:	868 MHz
Temperature control setpoint:	10° C ÷ 35° C
Measured temperature resolution:	0.1° C
Transmission range:	up to 50 m in open field
Weight (without batteries):	75 g
Body material:	ABS white
Front material:	white PMMA

THERMOSTAT - MINI LED ASTRA

The ASTRA MINI LED thermostat allows precise and customised temperature control within the room. The thermostat works in perfect harmony with the Polaris 5X controller, does not require connection cables and ensures easy and intuitive control.



DIMENSIONS



MINI LED ASTRA TECHNICAL CHARACTERISTICS

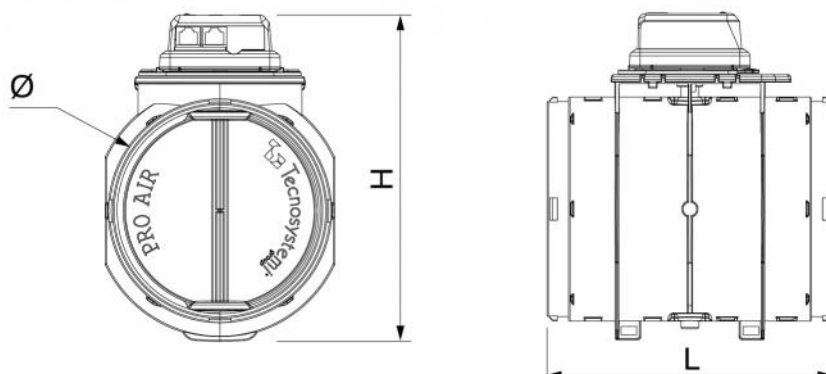
TECHNICAL SPECIFICATIONS	
Power supply:	2 AAA 1.5 V batteries
Battery life:	8gt;1 year
Protection rating:	IP30
Operating temperature:	0° C ÷ +40° C
Storage temperature:	-10° C ÷ +50° C
Operating humidity:	20% ÷ 80% RH
Radio communication frequency:	868 MHz
Temperature control setpoint:	10° C ÷ 35° C
Measured temperature resolution:	0.1° C
Transmission range:	up to 50 m in open field
Weight (without batteries):	75 g
Body material:	ABS white
Front material:	white PMMA

MOTORISED CIRCULAR DAMPER



The motorised circular dampers for the "ProAir Multizone" system are made of anti-condensation plastic material and guarantee excellent thermal insulation between the indoor and outdoor environment.

DIMENSIONS



KIT BY PASS MECCANICO

CODE	Ø COUPLER [mm]	H [mm]	L [mm]	MAX. AIR FLOW RATE [m³/h]

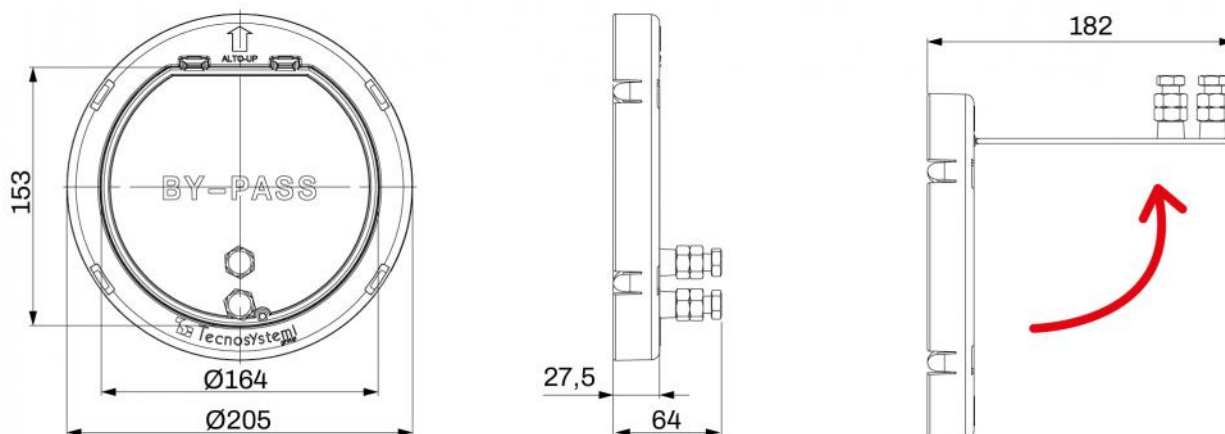
KIT BY PASS MECCANICO



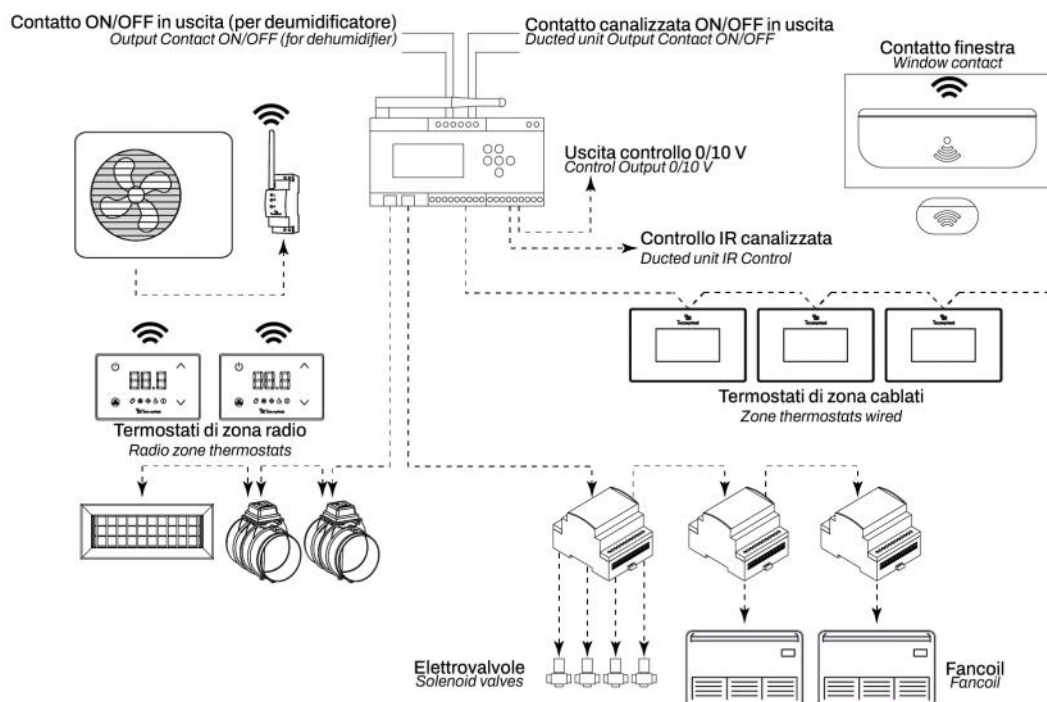
Il by pass permette di compensare il flusso dell'aria in uscita dai plenum EOLO - EOLO MINI, evitando fenomeni di rumorosità nelle zone ancora aperte.

Il by pass realizzato in plastica ABS antiurto lavora con la spinta dell'aria in eccesso nel plenum.

DIMENSIONI



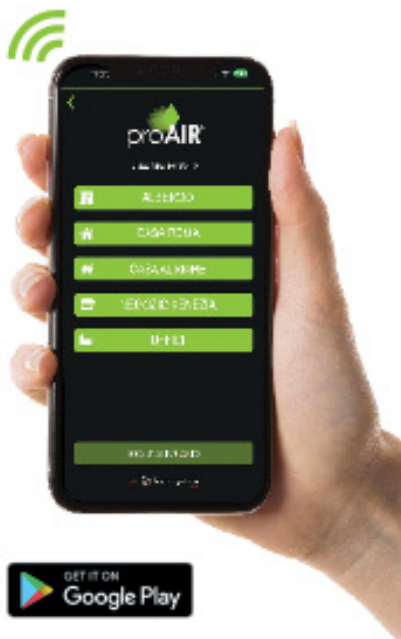
ESEMPIO DI SISTEMA CANALIZZATO



CONFIGURA IL TUO PROAIR PACK - PROAIR PACK HYDRONIC



APP PROAIR MULTI-ZONE CONTROL SYSTEM



Per accedere alle funzioni della centralina Polaris 5X è possibile installare l'App Proair Multi-Zone Control System.

L'App ti permette di monitorare e gestire da remoto in tempo reale l'impianto di climatizzazione.



ARTICOLI

CODICE	DESCRIPTION
GAD400359	PLÉNUM EOLO IN POLYSTYRENE WITH 2 CHRONOTERMOSTATS DISCOVERY 3X BACKLIT - WITH CONTROL UNIT POLARIS 5X - Ø150/200 mm
GAD400360	PLÉNUM EOLO IN POLYSTYRENE - WITH 1 CHRONOTERMOSTAT DISCOVERY 3X BACKLIT + 1 CHRONOTERMOSTAT MINI DISCOVERY 3X - WITH CONTROL UNIT POLARIS 5X - Ø150/200 mm
GAD400493	PLÉNUM IN POLYSTYRENE EOLO WITH 2 THERMOSTATS MINI LED - WITH TROL UNIT POLARIS 5X - 150/200 mm
GAD400409	PLÉNUM EOLO IN POLYSTYRENE - WITH 1 CHRONOTERMOSTAT DISCOVERY 3X BACKLIT + 1 ROOM PROBE AMBIENTE LEM 3X RF - WITH CONTROL UNIT POLARIS 5X - Ø150/200 mm

All rights relating to this publication are the exclusive property of Tecnosystemi SpA.
 Tecnosystemi SpA reserves the right to make changes at any time and without notice, for technical or commercial needs.