

# TS-COVER divider panel kit

- cod. SCD500482 - cod. SCD500511 - cod. SCD500512  
- cod. SCD500513



## TECHNICAL SPECIFICATIONS:

THE KIT INCLUDES:

- no. 1 panel in white expanded PVC
- no. 6 adhesive Velcro pads M+F black Ø45

## DESCRIPTION

The TS-COVER cage partition panel kit is designed to ensure maximum efficiency and effectiveness of the air conditioner.

The panel applied to the machine prevents cold air wastage, ensuring the optimal performance of the machine itself.

THE KIT INCLUDES:

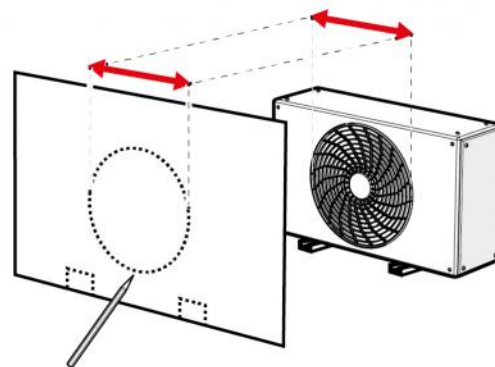
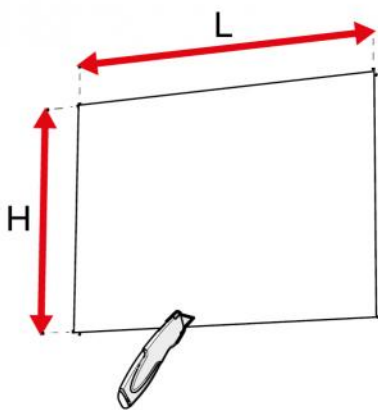
- no. 1 panel in white expanded PVC
- no. 6 adhesive Velcro pads M+F black Ø45

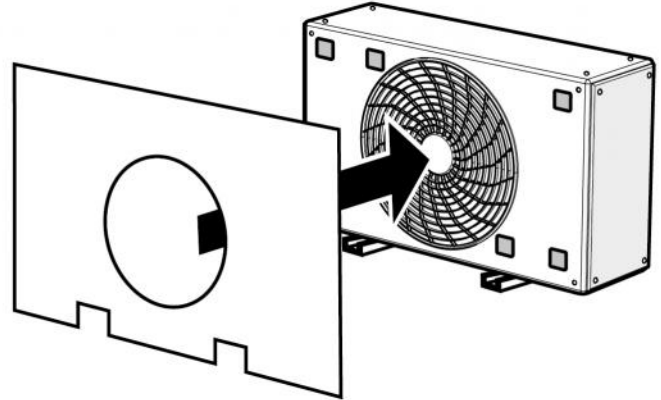
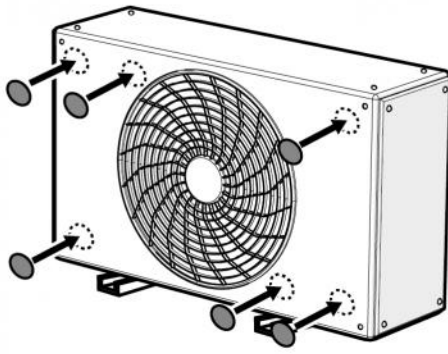


## DIMENSIONS

CODE	L [mm]	H [mm]	P [mm]
SCD500482	860	685	3
SCD500511	1060	835	3
SCD500512	1110	1185	3
SCD500513	1160	1485	3

## EXAMPLE OF INSTALLATION:





## ITEMS

CODE	DESCRIPTION
SCD500482	SPLITTING PANEL FOR TS COVER - SMALL
SCD500511	
SCD500512	
SCD500513	

All rights relating to this publication are the exclusive property of Tecnosystemi SpA.  
 Tecnosystemi SpA reserves the right to make changes at any time and without notice, for technical or commercial needs.

