

DQC

Circular diffuser on square panel in white painted metal

- cod. PWC200030 - cod. PWC200031



TECHNICAL SPECIFICATIONS:

- Made of white-painted metal
- Suitable for air delivery and intake
- Equipped with damper and collar
- High operating efficiency
- Installation height 2.7 - 3.5 m
- Manually operated calibration damper fitted in the collar

DESCRIPTION

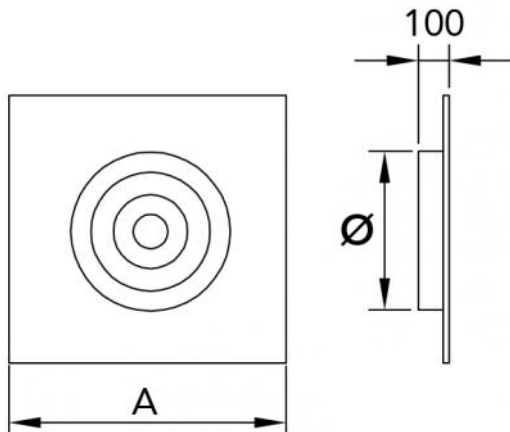
Circular diffuser made of metal painted in white RAL 9016, consisting of fixed concentric truncated-cone profiles on a square panel.

The diffuser comes complete with a manual adjustment damper and collar.

The damper can be inspected from the front by operating specific safety hooks that allow the cones to be removed.

Suitable for installation heights from 2.7 m to 3.5 m.

Designed for applications in air conditioning, heating and ventilation systems with both delivery and suction operation.



DIMENSIONS

CODE	A [mm]	Ø [mm]
PWC200030	595 x 595	148
PWC200031	595 x 595	198

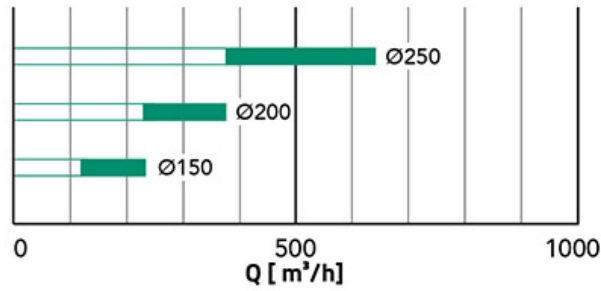
TECHNICAL DATA

Q [m³/h] MIN	Q [m³/h] MAX
150	250
250	380
380	630

OPERATING DATA

Vk (m/s)	PWC200030			PWC200031		
	m³/h	Pa	L(m)	m³/h	Pa	L(m)
2	96	6.3	0.7	181	5.5	1.2
3	145	14.2	1.1	271	12.5	1.7
4	195	25.2	1.5	361	22.2	2.3
5	242	39.4	1.9	452	34.7	2.9
6	290	56.8	2.2	542	49.9	3.5

RAPID AIR FLOW SELECTION



ITEMS

CODE	DESCRIPTION
PWC200030	DQC CIRCULAR DIFFUSER ON PANEL 595X595 PAINTED METAL WHITE
PWC200031	DQC CIRCULAR DIFFUSER ON PANEL 595X595 PAINTED METAL WHITE

All rights relating to this publication are the exclusive property of Tecnosystemi SpA.
 Tecnosystemi SpA reserves the right to make changes at any time and without notice, for technical or commercial needs.