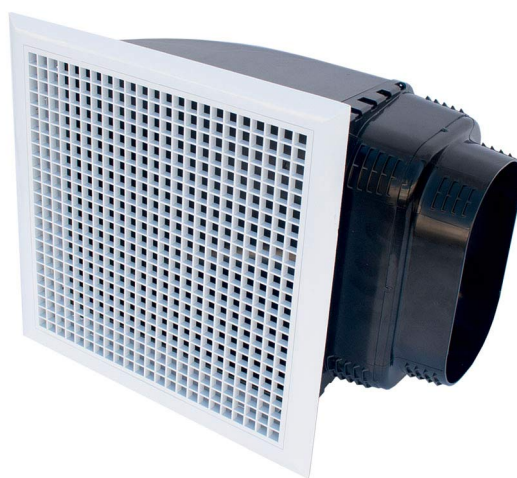


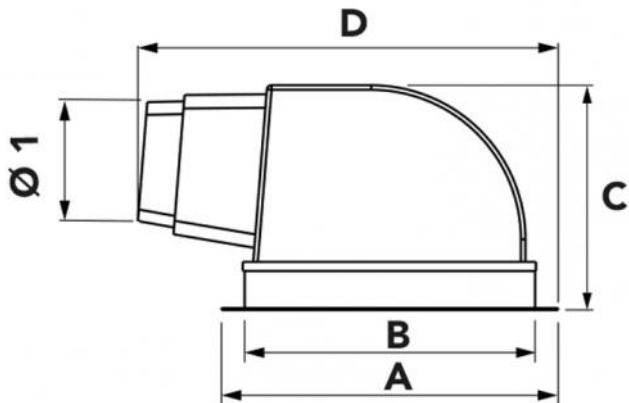
# White ABS plastic square-mesh diffuser with plenum

- cod. PWC200001



## TECHNICAL SPECIFICATIONS:

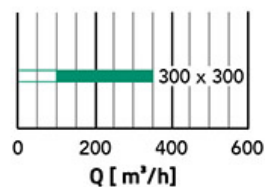
- Diffuser and plenum made of white ABS RAL 9016 ABS
- Diffuser white colour
- Prevents condensation phenomena
- Operating temperature -15° to +48° C
- Fastening by means of clips
- Suitable for air delivery and intake



## DIMENSIONS

CODE	A [mm]	B [mm]	WALL-MOUNTING HOLE	C [mm]	D [mm]	SIDE COLL. COUP. Ø1 [mm]
PWC200001	375 x 375	320 x 320	340 x 340	250	450	200/250

## RAPID AIR FLOW SELECTION



## ITEMS

CODE	DESCRIPTION
PWC200001	PLÉNUM - SIDE CONNECT Ø250-200

All rights relating to this publication are the exclusive property of Tecnosystemi SpA. Tecnosystemi SpA reserves the right to make changes at any time and without notice, for technical or commercial needs.