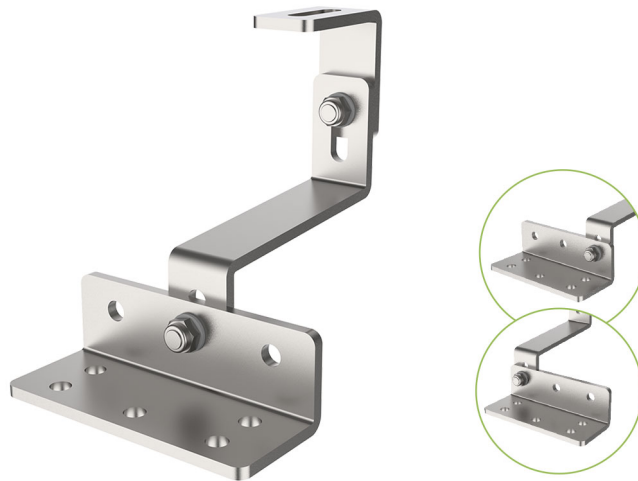


FSDRL

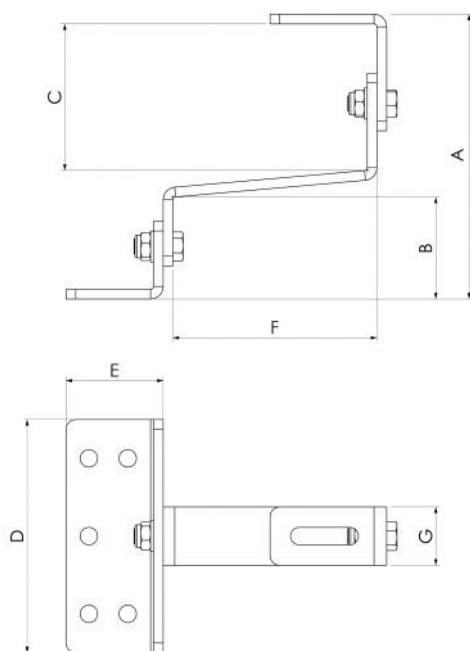
wide base stand with double adjustment for tiled roofs

- cod. FVD300002 - cod. FVD300002BOX



DESCRIPTION

Wide based AISI 304 stainless steel mount with double adjustment.
The support is designed for fixing photovoltaic systems on tiled roofs, supported by battens of varying thickness.



DIMENSIONS

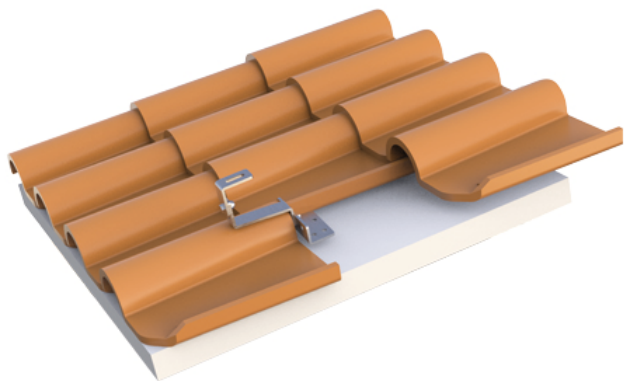
CODE	A [mm]	B [mm]	C [mm]	D [mm]	E [mm]	F [mm]	G [mm]
FVD300002	145	41 ÷ 52	60 ÷ 80	120	50	105	30
FVD300002BOX	145	41 ÷ 52	60 ÷ 80	120	50	105	30

TECHNICAL SPECIFICATIONS

TECHNICAL SPECIFICATIONS	VALUE
Material	AISI 304 stainless steel
Thickness	5 mm
Weight	760 gr
Flexural modulus of elasticity	196000 N/mm ²
Tensile breaking load	515 N/mm ²
Holes for roof mounting	5x Ø9

EXAMPLE OF APPLICATION

Fixing of photovoltaic systems on roofing tiles supported by strips of varying thickness.



ITEMS

CODE	DESCRIPTION
FVD300002	FSDRL - SUPPORT WITH WIDE BASE AND DOUBLE ADJUSTMENT
FVD300002BOX	FSDRL - SUPPORT WITH WIDE BASE AND DOUBLE ADJUSTMENT - BOX 10 pcs

All rights relating to this publication are the exclusive property of Tecnosystemi SpA.
 Tecnosystemi SpA reserves the right to make changes at any time and without notice, for technical or commercial needs.