

# ARIA 4 INNOVATION-M

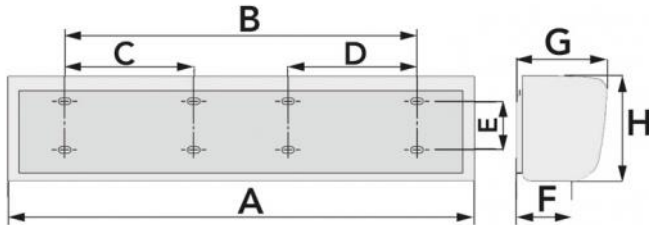
Single-phase tangential air curtain with top suction and PTC electric heater

- cod. AAC200001 - cod. AAC200002



## TECHNICAL SPECIFICATIONS:

- 2 models in white
- Front body in aluminium
- PTC heating elements
- Barriers designed for indoor use
- Horizontal installation
- Control buttons on the front body
- Remote control for 2 speed control
- 3 heating levels
- Punctual LED for heating level indication



## DIMENSIONS

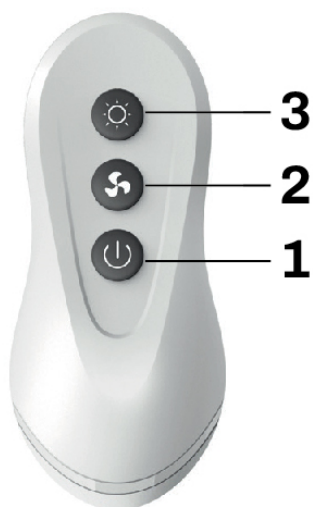
CODE	A [mm]	B [mm]	C [mm]	D [mm]	E [mm]	F [mm]	G [mm]	H [mm]	Weight [kg]	SUITABLE FOR LARGE DOORS [mm]
AAC200001	900	440	--	--	90	132	218	247	15.5	L.900 / H.3500
AAC200002	1200	440	--	--	90	132	218	247	19	L.1200 / H.3500

## TECHNICAL DATA

CODE	MODEL	VOLTAGE [V]	FREQUENCY [Hz]	POWER CONSUMPTION [W]	FLOW RATE [m³/h]	AIR SPEED AT INLET [m/s]	POTENZA [KW]	SOUND LEVEL [dB(A)]
AAC200001	900	230	50	I: 260 - II: 200	I: 1600 - II: 1300	I: 9,5 - II: 7,5	min: 2 - med: 4 - max: 6	I: 61 - II: 59
AAC200002	1200	230	50	I: 380 - II: 330	I: 2400 - II: 1950	I: 9,5 - II: 7,5	min: 2 - med: 4 - max: 6	I: 62 - II: 60

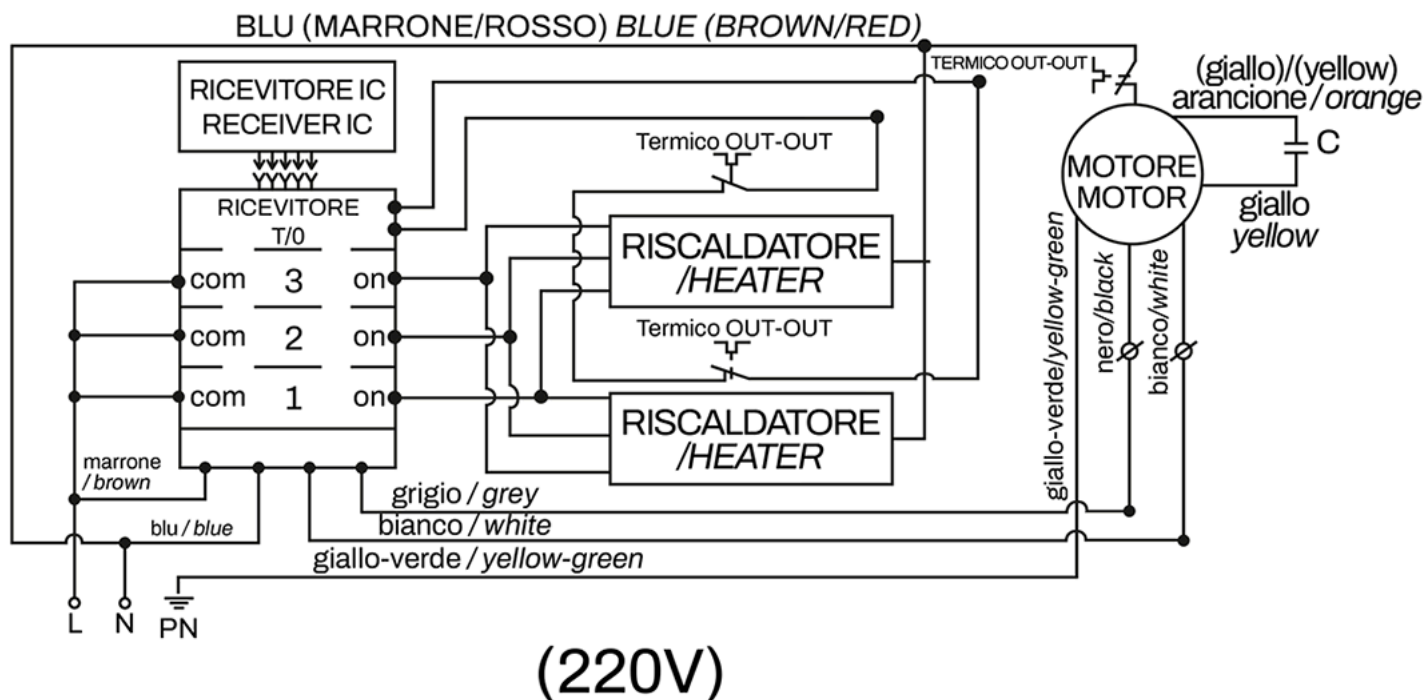
I = minimum speed/ II = maximum speed

## REMOTE CONTROL



- [1] ON/OFF BUTTON: turns the appliance on and off
- [2] SPEED BUTTON: selects the air speed (minimum and maximum)
- [3] HEAT BUTTON: Select heating mode (off, minimum, medium, maximum)

## WIRING DIAGRAM



## LUMINOUS INDICATIONS

On the front of the appliance there are 3 LED lights that indicate the status of the appliance, on/off and operating mode:

- GREEN LIGHT STEADY ON: heating off.
- ONE RED LIGHT: heating at minimum.
- TWO RED LIGHTS: medium heating.
- THREE RED LIGHTS: maximum heating.
- FLASHING GREEN LIGHT: post-ventilation

## ITEMS

CODE	DESCRIPTION
AAC200001	
AAC200002	

All rights relating to this publication are the exclusive property of Tecnosystemi SpA. Tecnosystemi SpA reserves the right to make changes at any time and without notice, for technical or commercial needs.