

# ARIA 4 INNOVATION

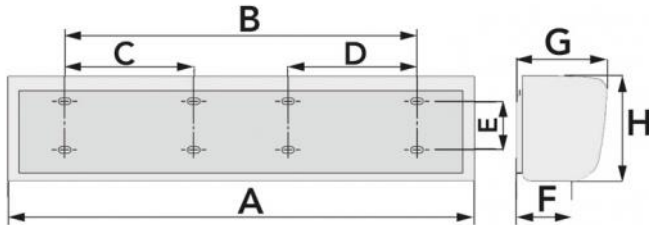
Three-phase tangential air curtain with top suction and PTC electric heater

- cod. AAD200001 - cod. AAD200002 - cod. AAD200003



## TECHNICAL SPECIFICATIONS:

- 3 models in white
- Front body in aluminium
- PTC heating elements
- Barriers designed for indoor use
- Horizontal installation
- Control buttons on the front body
- Remote control for 2 speed control
- 3 heating levels
- Punctual LED for heating level indication



## DIMENSIONS

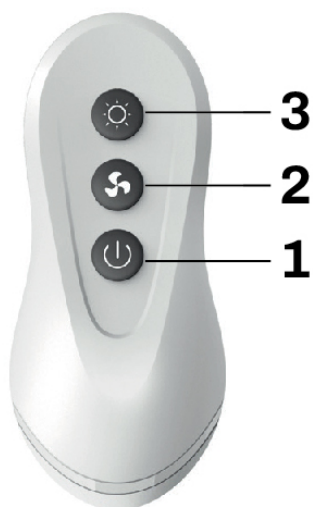
CODE	A [mm]	B [mm]	C [mm]	D [mm]	E [mm]	F [mm]	G [mm]	H [mm]	SUITABLE FOR LARGE DOORS [mm]
AAD200001	1200	440	--		90	132	218	247	L.1200 / H.3500
AAD200002	1500	440	--		90	132	218	247	L.1500 / H.3500
AAD200003	2000	660	330		90	132	218	247	L.2000 / H.3500

## TECHNICAL DATA

CODE	MODEL	VOLTAGE [V]	FREQUENCY [Hz]	POWER CONSUMPTION [W]	FLOW RATE [m³/h]	AIR SPEED AT INLET [m/s]	POTENZA [KW]	SOUND LEVEL [dB(A)]
AAD200001	1200	380	50	I: 330 - II: 380	I: 1950 - II: 2400	I: 9 - II: 11	3.5÷10	I: 60 - II: 62
AAD200002	1500	380	50	I: 400 - II: 490	I: 2550 - II: 3150	I: 9 - II: 11	4÷12	I: 61 - II: 63
AAD200003	2000	380	50	I: 440 - II: 560	I: 2900 - II: 3540	I: 9 - II: 11	5÷16	I: 63 - II: 65

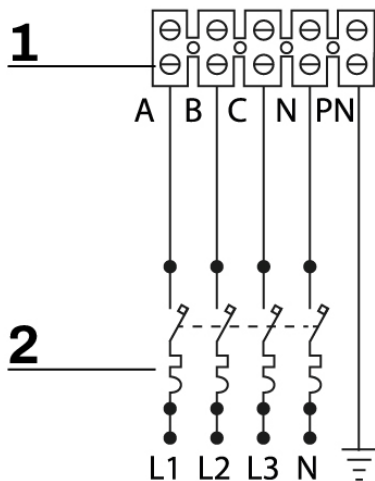
I = minimum speed/ II = maximum speed

## REMOTE CONTROL



- [1] ON/OFF BUTTON: turns the appliance on and off
- [2] SPEED BUTTON: selects the air speed (minimum and maximum)
- [3] HEAT BUTTON: Select heating mode (off, minimum, medium, maximum)

## WIRING DIAGRAM



- [1] Terminal board
- [2] Three-pole + neutral switch

## LUMINOUS INDICATIONS

On the front of the appliance there are 3 LED lights that indicate the status of the appliance, on/off and operating mode:

- GREEN LIGHT STEADY ON: heating off.
- ONE RED LIGHT: heating at minimum.
- TWO RED LIGHTS: medium heating.
- THREE RED LIGHTS: maximum heating.
- FLASHING GREEN LIGHT: post-ventilation

**ITEMS**

CODE	DESCRIPTION
AAD200001	3-PHASES AIR CURTAIN WITH HEATING ELEMENT PTC 1200 "ARIA 4 INNOVATION"
AAD200002	3-PHASES AIR CURTAIN WITH HEATING ELEMENT PTC 1500 "ARIA 4 INNOVATION"
AAD200003	3-PHASES AIR CURTAIN WITH HEATING ELEMENT PTC 2000 "ARIA 4 INNOVATION"

All rights relating to this publication are the exclusive property of Tecnosystemi SpA.  
Tecnosystemi SpA reserves the right to make changes at any time and without notice, for technical or commercial needs.