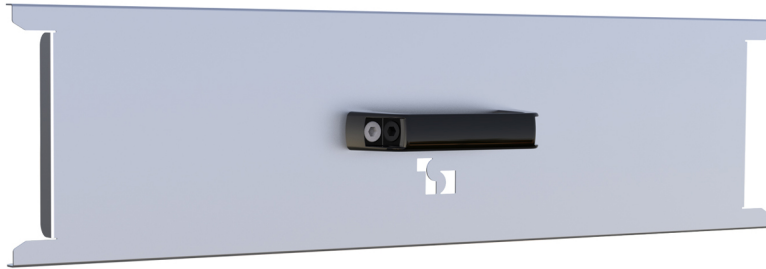


Jig for laying ballast

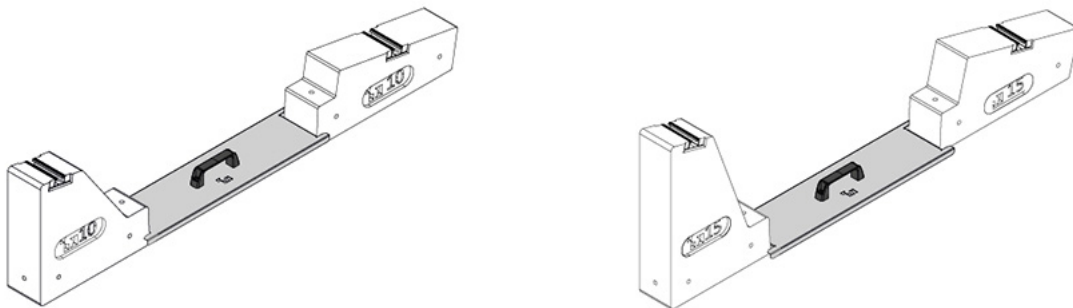
- cod. FVD500015



DESCRIPTION

Electrogalvanised metal sheet jig with handle, designed to facilitate the laying of concrete ballast on flat roofs. The jig is reusable whenever it is necessary to lay concrete ballast.

ESEMPI D'USO



ARTICOLI

CODICE	DESCRIPTION
FVD500015	BALLAST-LAYING JIG

All rights relating to this publication are the exclusive property of Tecnosystemi SpA.
Tecnosystemi SpA reserves the right to make changes at any time and without notice, for technical or commercial needs.

