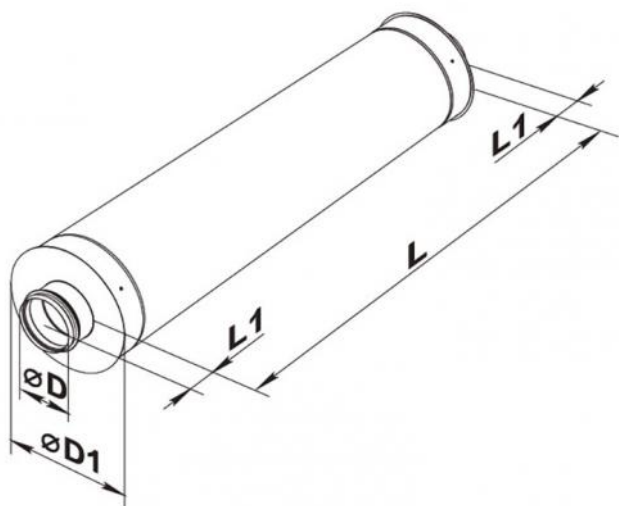


Rigid circular silencer

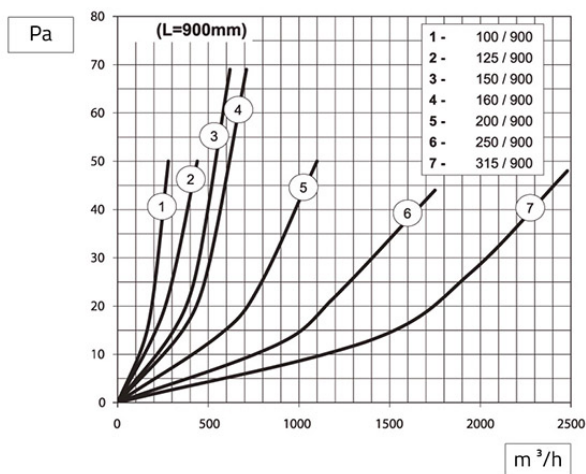
- cod. ACC400010 - cod. ACC400011 - cod. ACC400012
- cod. ACC400013 - cod. ACC400014 - cod. ACC400015
- cod. ACC400016



DIMENSIONS

CODE	Ø D [mm]	Ø D1 [mm]	L [mm]	L1 [mm]	WEIGHT [kg]
ACC400010	99	200	900	50	3,2
ACC400011	124	225	900	50	4,1
ACC400012	149	250	900	50	4,2
ACC400013	159	260	900	50	4,6
ACC400014	199	300	900	50	5,3
ACC400015	249	359	900	50	6,2
ACC400016	314	415	900	50	7,1

PERFORMANCE GRAPHS



TECHNICAL DATA

MODEL	63 [Hz]	125 [Hz]	250 [Hz]	500 [Hz]	1000 [Hz]	2000 [Hz]	4000 [Hz]	8000 [Hz]
100/900	5	10	15	23	44	30	16	15
125/900	4	9	12	22	43	22	16	12
150/900	3	5	9	18	36	25	13	14
160/900	2	5	10	19	37	25	13	15
200/900	3	7	11	20	39	23	8	7
250/900	4	5	7	16	32	20	12	10
315/900	3	5	7	17	30	14	10	8

ITEMS

CODE	DESCRIPTION
ACC400010	CIRCULAR SILENCER 100/900/50
ACC400011	CIRCULAR SILENCER 125/900/50
ACC400012	CIRCULAR SILENCER 150/900/50
ACC400013	CIRCULAR SILENCER 160/900/50
ACC400014	CIRCULAR SILENCER 200/900/50
ACC400015	CIRCULAR SILENCER 250/900/50
ACC400016	CIRCULAR SILENCER 315/900/50

All rights relating to this publication are the exclusive property of Tecnosystemi SpA.
 Tecnosystemi SpA reserves the right to make changes at any time and without notice, for technical or commercial needs.