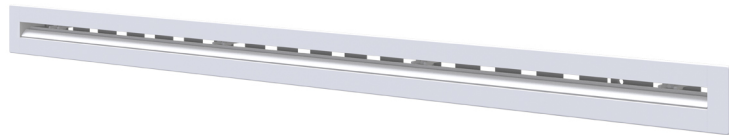


Linear diffuser in ALUMINIUM with damper and central baffle - 1 slot

- cod. PWD301613 - cod. PWD301622 - cod. PWD301631
- cod. PWD301640 - cod. PWD301649



DESCRIPTION

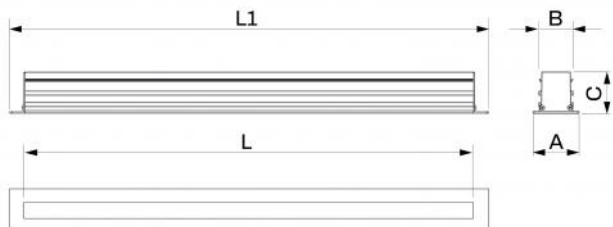
Visible linear diffuser in aluminium with adjustable calibration damper, central baffle with 1 slot, white. Diffusers are used in places where the ceiling design has to be assured, such as offices, meeting rooms and hotels, ensuring uniform air diffusion and high thermal induction. It is fixed to the plenum, which can be purchased separately, using front screws and mobile C brackets. The damper is used to control the required amount of air and can be calibrated using a screwdriver. Housings are obtained from inside the profiles to enable the mounting of adjustable PVC baffles. By changing the baffle direction it is possible to deliver the air flow according to the place of installation, if necessary obtaining a Coanda effect.

TECHNICAL SPECIFICATIONS:

- Realizzata in alluminio di colore bianco opaco
- Fissaggio a mezzo viti e staffe
- For wall / ceiling installation
- Plenum in lamiera zincata rivestito in polietilene a celle chiuse acquistabile separatamente
- Serranda di taratura incorporata
- Kit continuità acquistabile separatamente

ACCESSORIES

- Plenum in insulated galvanised metal sheet, can be purchased separately.
- Continuity kit, can be purchased separately.



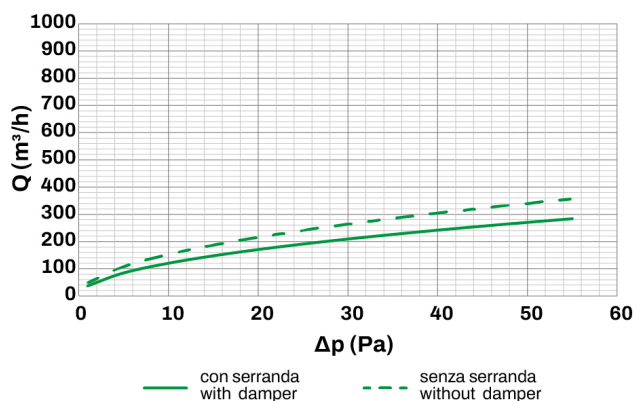
DIMENSIONS

CODE	L [mm]	L1 [mm]	A [mm]	B [mm]	C [mm]
PWD301613	600	645	66	49	60
PWD301622	800	845	66	49	60
PWD301631	1000	1045	66	49	60
PWD301640	1500	1545	66	49	60
PWD301649	2000	2045	66	49	60

INFORMATION

Measures are indicated in millimetres (mm), unless otherwise specified.

LOAD CAPACITY AND PRESSURE DROP CURVES WITH VERTICAL BAFFLE

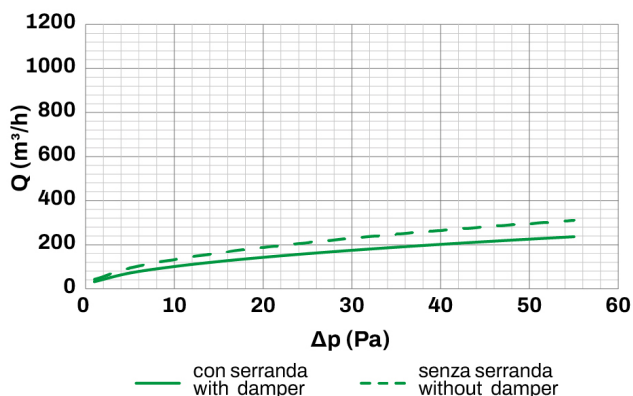


NOTE

If there are already dampers along the ventilation system and these need to be removed in order to improve performance, refer to the paragraph "DAMPER DISASSEMBLY INDICATIONS" indicated below and consider the performance indicated in the graph from the dotted line.

LOAD CAPACITY AND PRESSURE DROP CURVES WITH BAFFLE ORIENTED FULLY TO THE RIGHT OR LEFT

If there are already dampers along the ventilation system and these need to be removed in order to improve performance, refer to the paragraph "DAMPER DISASSEMBLY INDICATIONS" indicated below and consider the performance indicated in the graph from the dotted line.

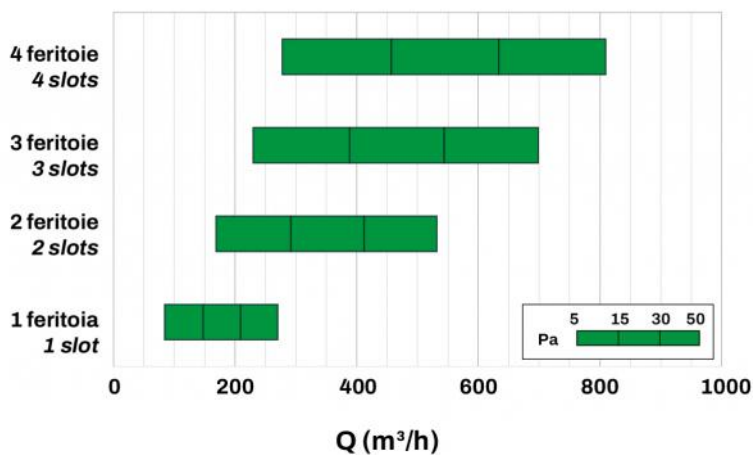


Ak [m ²]	Qv min [m ³ /h]	Qv max [m ³ /h]	Lwa min [dB(A)]	Lwa max [dB(A)]	DP min [Pa]	DP max [Pa]
0.021	120	270	32	46	10	50

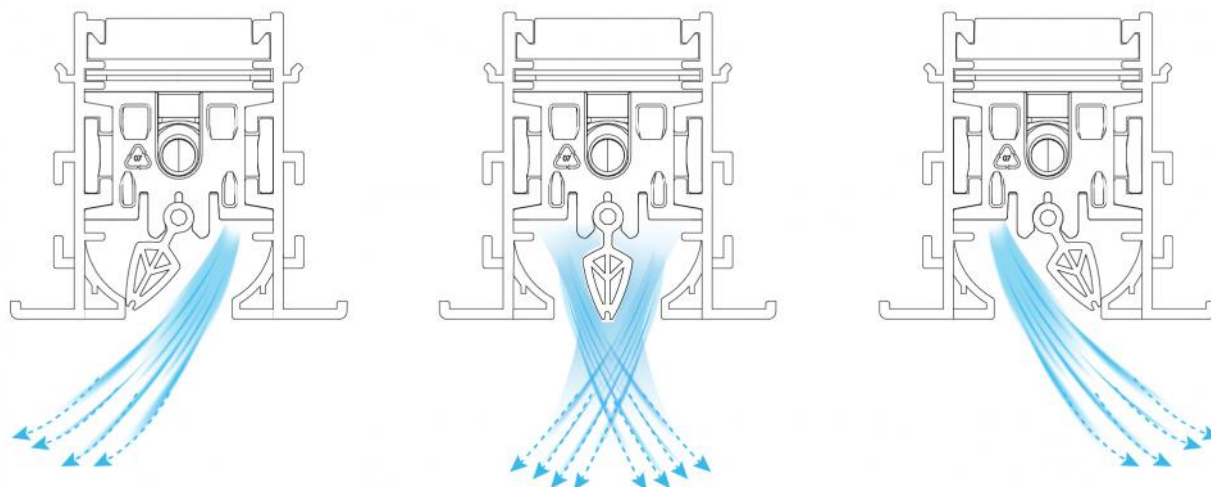
INFORMATION

The data in the table refers to 1000 mm long linear retracting diffusers, with fully open damper and vertical baffle.

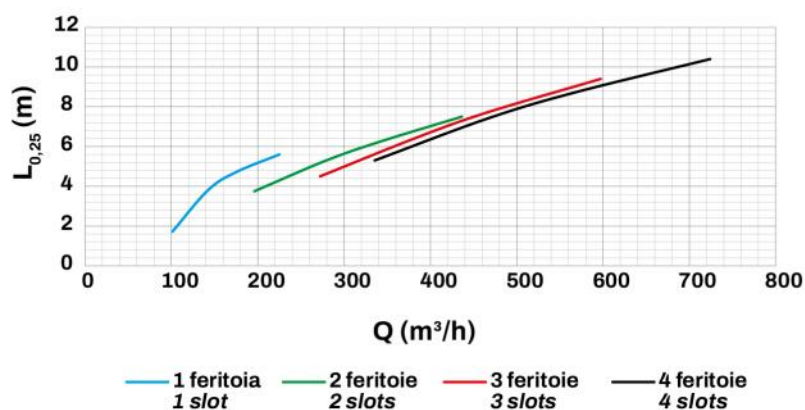
SHORTCUT DIAGRAM



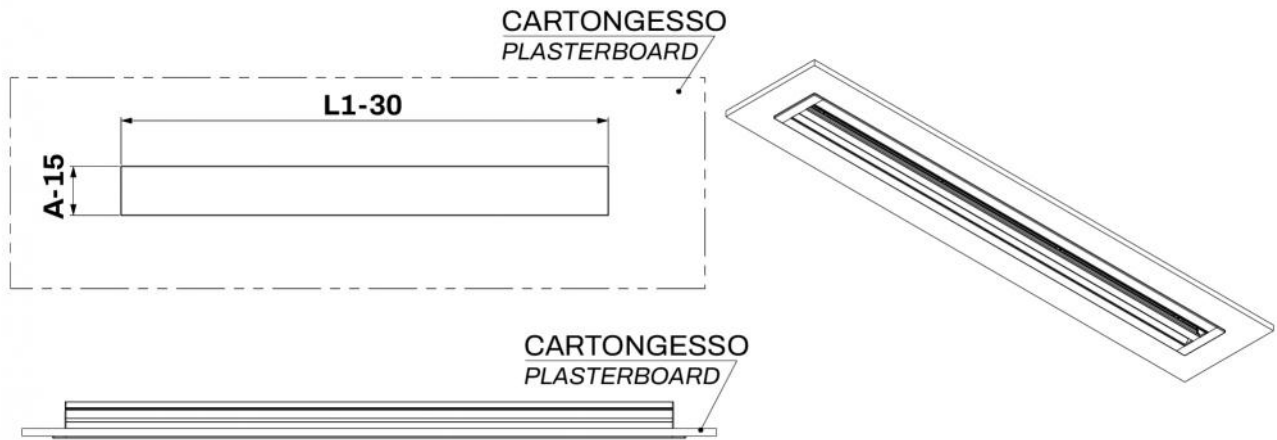
EXAMPLE OF FLOW



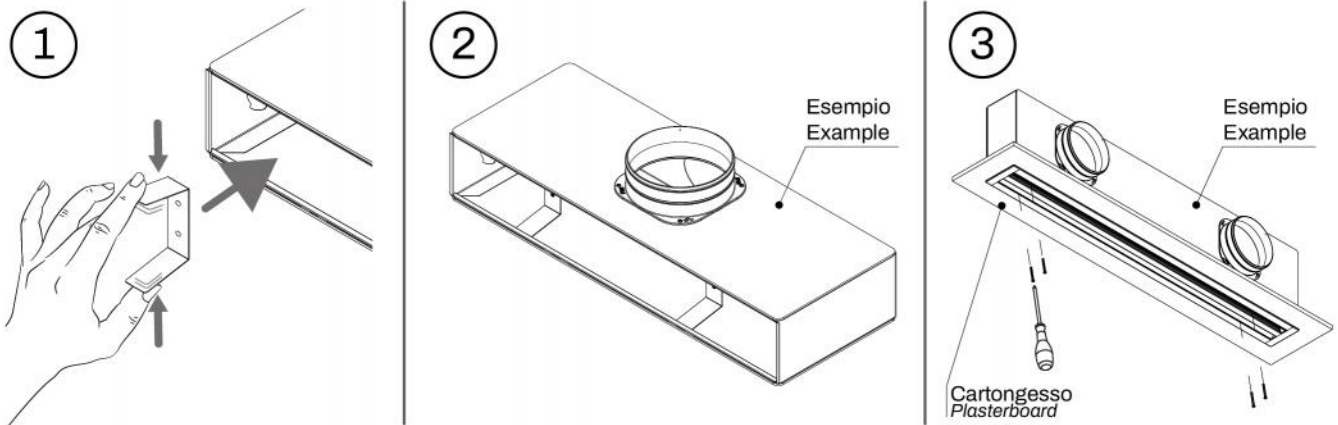
HORIZONTAL FLOW CHART WITH BAFFLE FULLY ORIENTED TO THE RIGHT OR TO THE LEFT



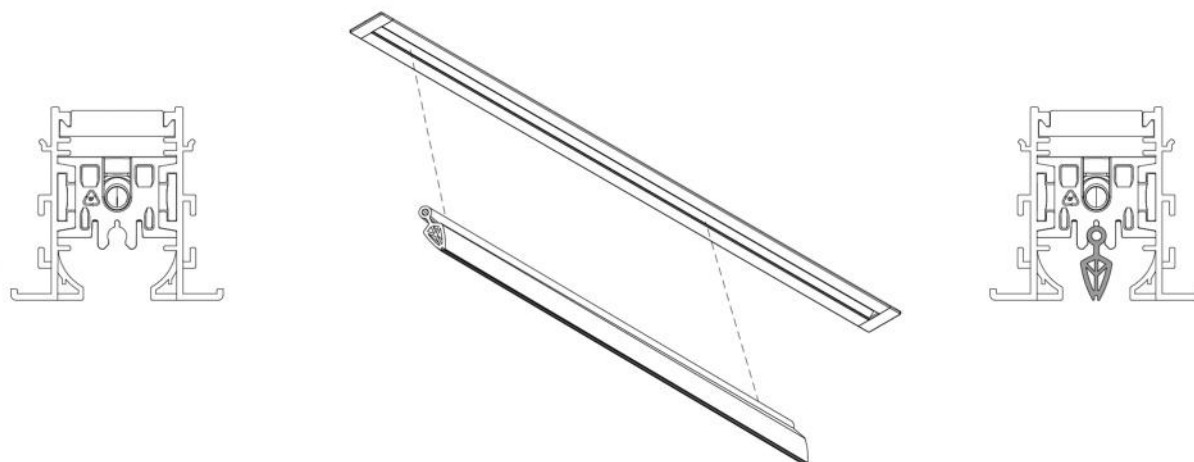
BUILT-IN INSTALLATION BOX FOR WALLS



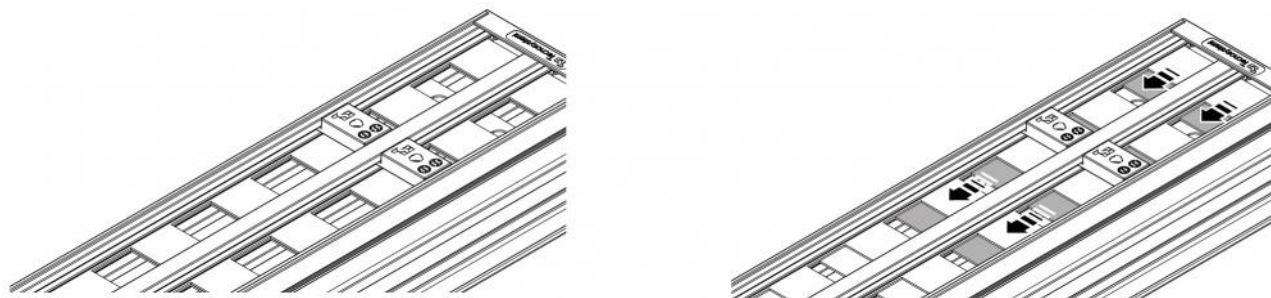
EXAMPLE OF INSTALLATION:



BAFFLE ASSEMBLY

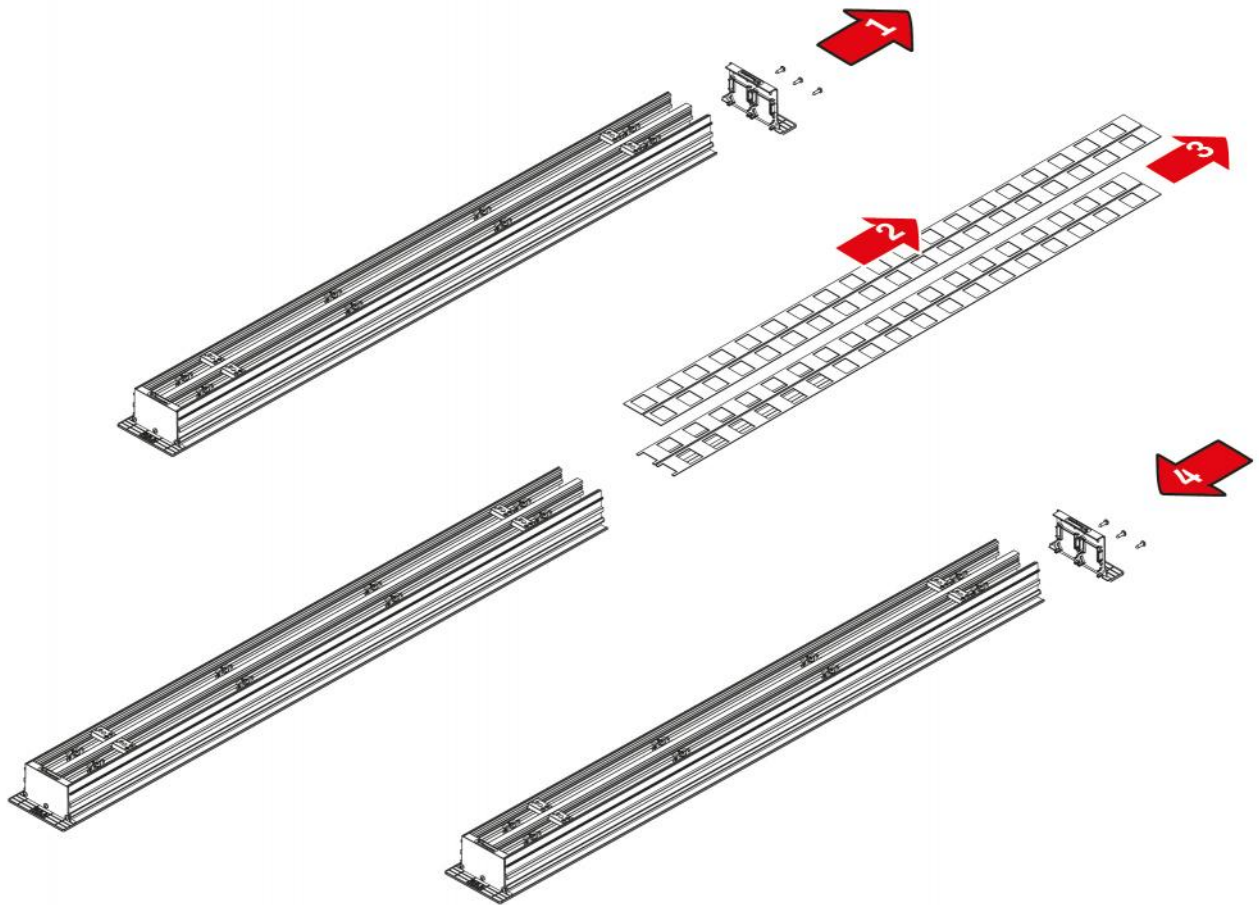


DAMPER ADJUSTMENT

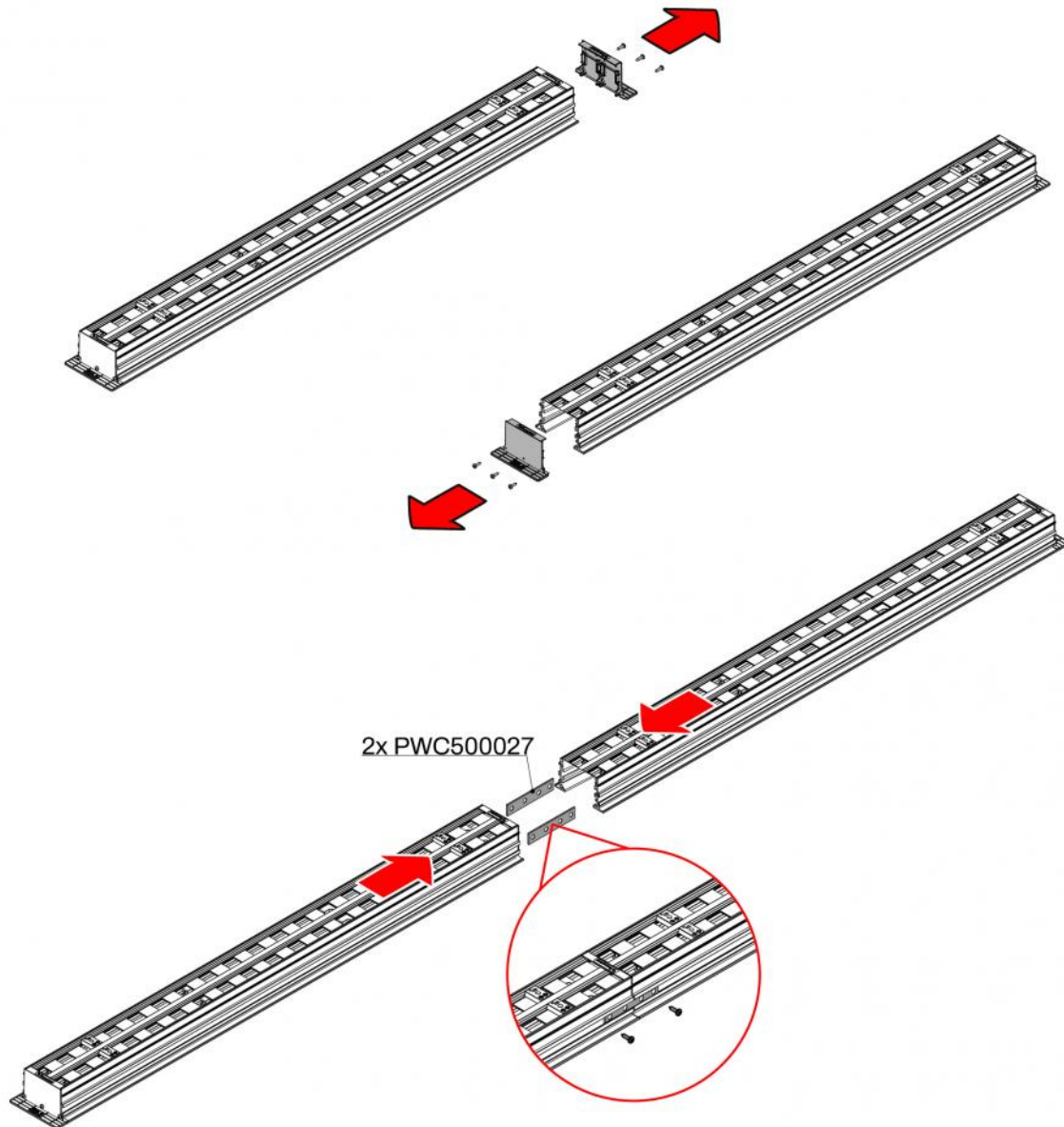


Use a screwdriver to adjust the damper, acting beneath the diffuser.

INDICATIONS FOR THE DISASSEMBLY OF THE DAMPER



EXAMPLE OF CONTINUITY KIT FIXING



ITEMS

CODE	DESCRIPTION
PWD301613	LINEAR DIFFUSER IN ALUMINIUM WITH DAMPER AND CENTRAL DEFLECTOR L600mm 1 SLOT WHITE
PWD301622	LINEAR DIFFUSER IN ALUMINIUM WITH DAMPER AND CENTRAL DEFLECTOR L800mm 1 SLOT WHITE
PWD301631	LINEAR DIFFUSER IN ALUMINIUM WITH DAMPER AND CENTRAL DEFLECTOR L1000mm 1 SLOT WHITE
PWD301640	LINEAR DIFFUSER IN ALUMINIUM WITH DAMPER AND CENTRAL DEFLECTOR L1500mm 1 SLOT WHITE
PWD301649	LINEAR DIFFUSER IN ALUMINIUM WITH DAMPER AND CENTRAL DEFLECTOR L2000mm 1 SLOT WHITE

All rights relating to this publication are the exclusive property of Tecnosystemi SpA.
Tecnosystemi SpA reserves the right to make changes at any time and without notice, for technical or commercial needs.