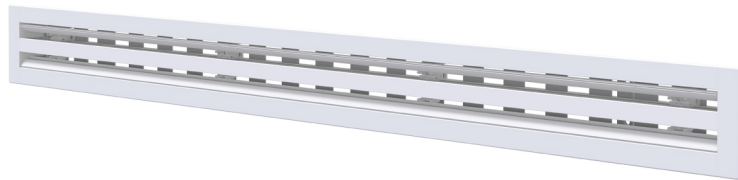


# Linear diffuser in anti-condensation PVC with damper and central baffle - 2 slots

- cod. PWD301491 - cod. PWD301500 - cod. PWD301509  
- cod. PWD301518 - cod. PWD301527



## DESCRIPTION

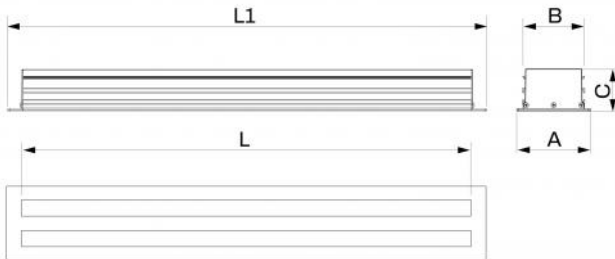
Visible linear diffuser in anti-condensate PVC with adjustable calibration damper, central baffle with 2 slots, white. Diffusers are used in places where the ceiling design has to be assured, such as offices, meeting rooms and hotels, ensuring uniform air diffusion and high thermal induction. In contrast to aluminium, due to its physical characteristics PVC does not produce condensate; this avoids the formation of fungi, mould and bacteria inside the diffuser and ensures excellent wall insulation. It is fixed to the plenum, which can be purchased separately, using front screws and mobile C brackets. The damper is used to control the required amount of air and can be calibrated using a screwdriver. Housings are obtained from inside the profiles to enable the mounting of adjustable PVC baffles. By changing the baffle direction it is possible to deliver the air flow according to the place of installation, if necessary obtaining a Coanda effect.

## TECHNICAL SPECIFICATIONS:

- Realizzata in plastica PVC anticondensa
- Grado di estinguenza V0
- Temperatura di esercizio: -30 C° + 60 C°
- Fissaggio a mezzo viti e staffe
- For wall / ceiling installation
- Colore bianco opaco
- Plenum in lamiera zincata rivestito in polietilene a celle chiuse acquistabile separatamente
- Serranda di taratura incorporata
- Kit continuità acquistabile separatamente

## ACCESSORIES

- Plenum in insulated galvanised metal sheet, can be purchased separately.
- Continuity kit, can be purchased separately.



## DIMENSIONS

CODE	L [mm]	L1 [mm]	A [mm]	B [mm]	C [mm]
PWD301491	600	645	105	88	60
PWD301500	800	845	105	88	60
PWD301509	1000	1045	105	88	60
PWD301518	1500	1545	105	88	60
PWD301527	2000	2045	105	88	60

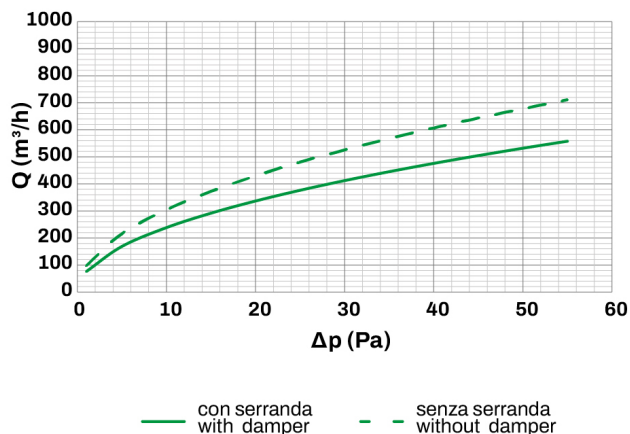
## INFORMATION

Measures are indicated in millimetres (mm), unless otherwise specified.

## TECHNICAL DATA

TECHNICAL SPECIFICATIONS	
Material:	Anti-condensate PVC
Colour:	White
Flammability rating:	V0
Operating temperature	-30°C ... +60°C

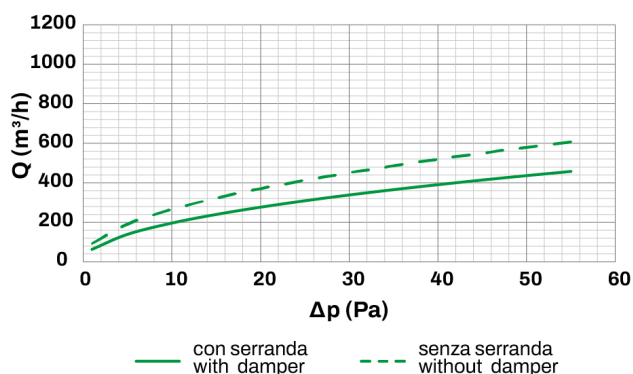
## LOAD CAPACITY AND PRESSURE DROP CURVES VERTICLE BAFFLE



**NOTE:**

If there are already dampers along the ventilation system and these need to be removed in order to improve performance, refer to the paragraph "DAMPER DISASSEMBLY INDICATIONS" indicated below and consider the performance indicated in the graph from the dotted line.

## LOAD CAPACITY AND PRESSURE DROP CURVES WITH BAFFLE ORIENTED FULLY TO THE RIGHT OR LEFT



**NOTE:**

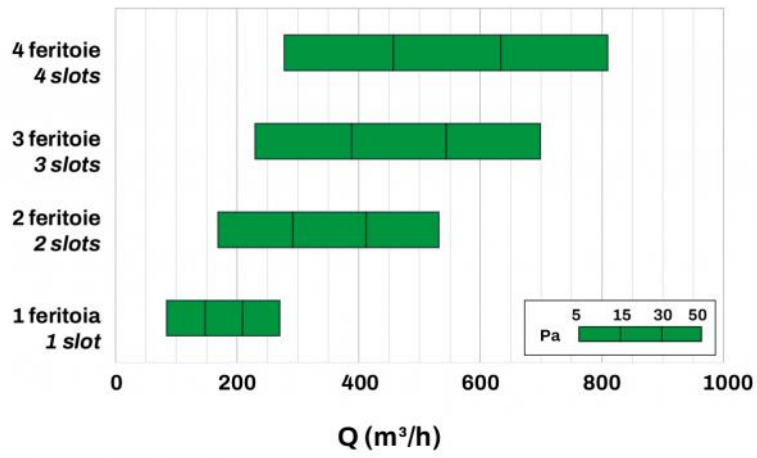
If there are already dampers along the ventilation system and these need to be removed in order to improve performance, refer to the paragraph "DAMPER DISASSEMBLY INDICATIONS" indicated below and consider the performance indicated in the graph from the dotted line.

Ak [m²]	Qv min [m³/h]	Qv max [m³/h]	Lwa min [dB(A)]	Lwa max [dB(A)]	DP min [Pa]	DP max [Pa]
0.042	240	530	33	47	10	50

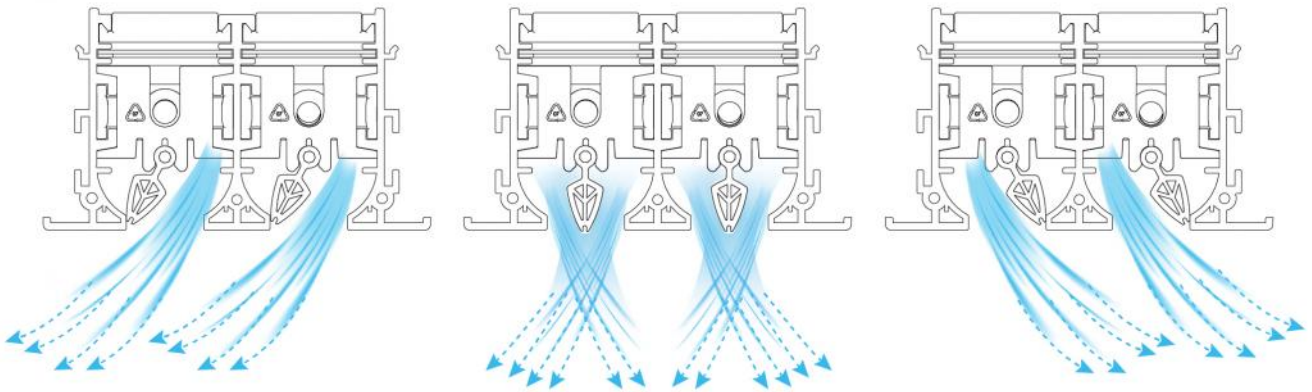
## INFORMATION

The data in the table refers to 1000 mm long linear retracting diffusers, with fully open damper and vertical baffle.

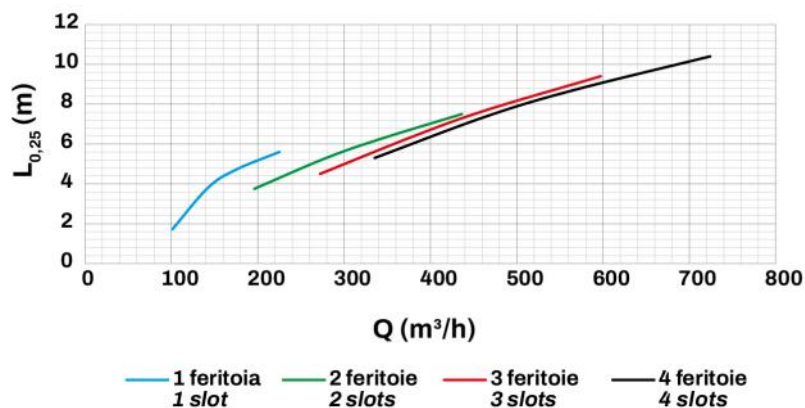
## SHORTCUT DIAGRAM



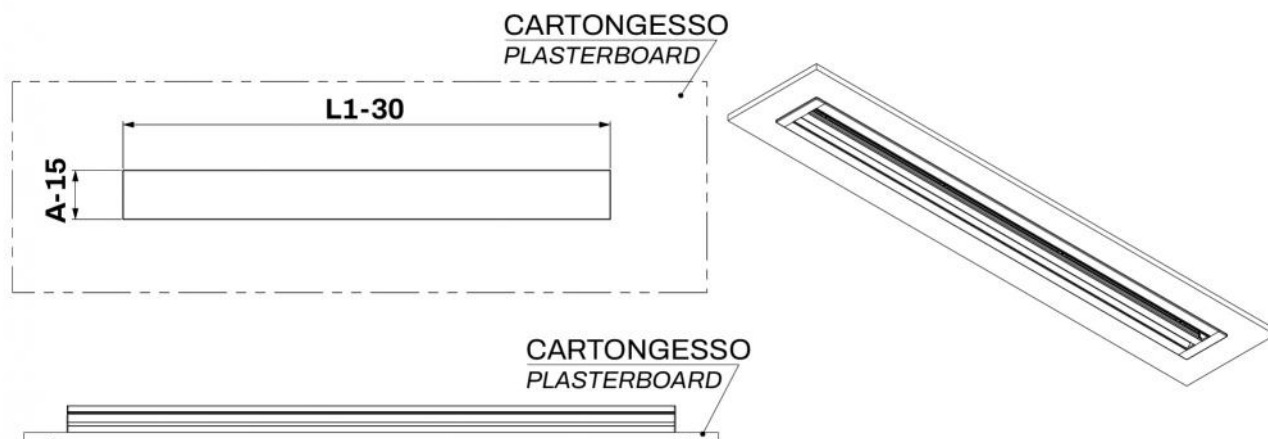
## EXAMPLE OF FLOW



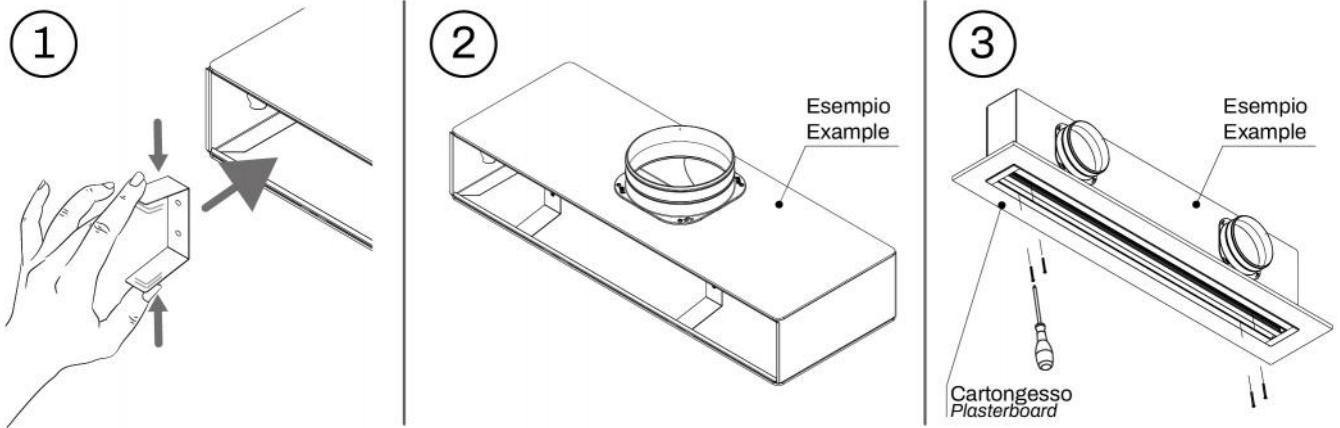
## HORIZONTAL FLOW CHART WITH BAFFLE FULLY ORIENTED TO THE RIGHT OR TO THE LEFT



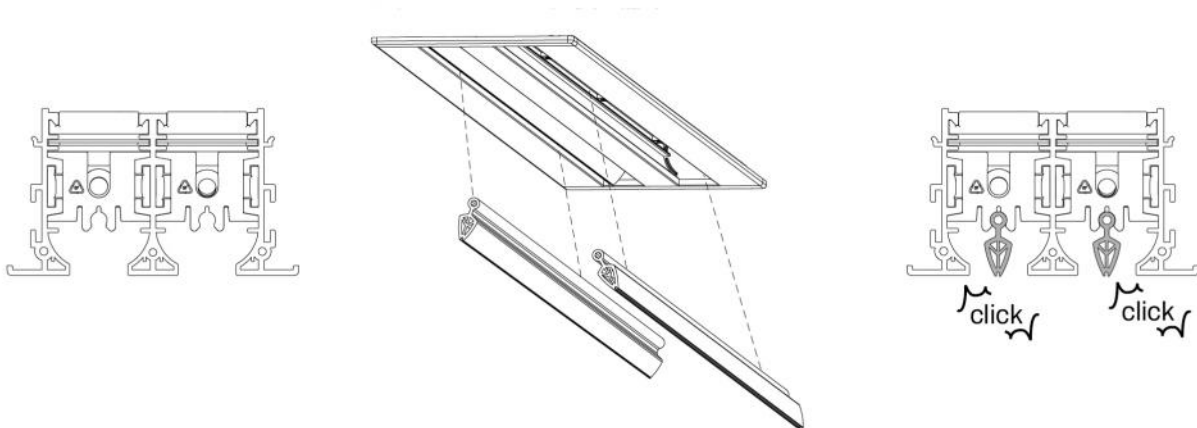
## BUILT-IN INSTALLATION BOX FOR WALLS



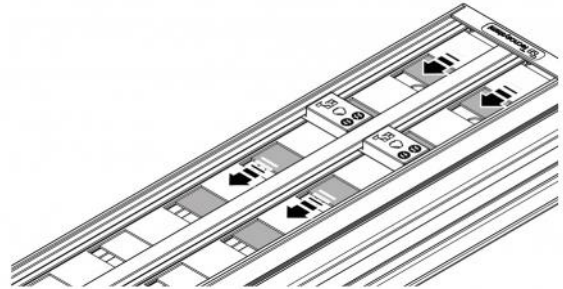
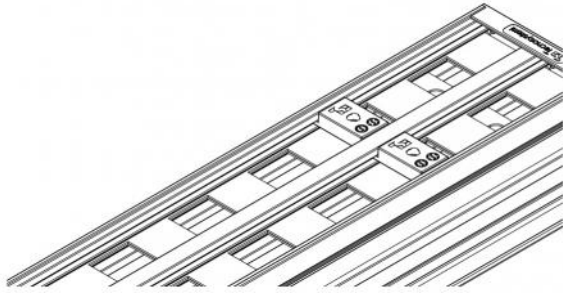
## EXAMPLE OF INSTALLATION:



## BAFFLE ASSEMBLY

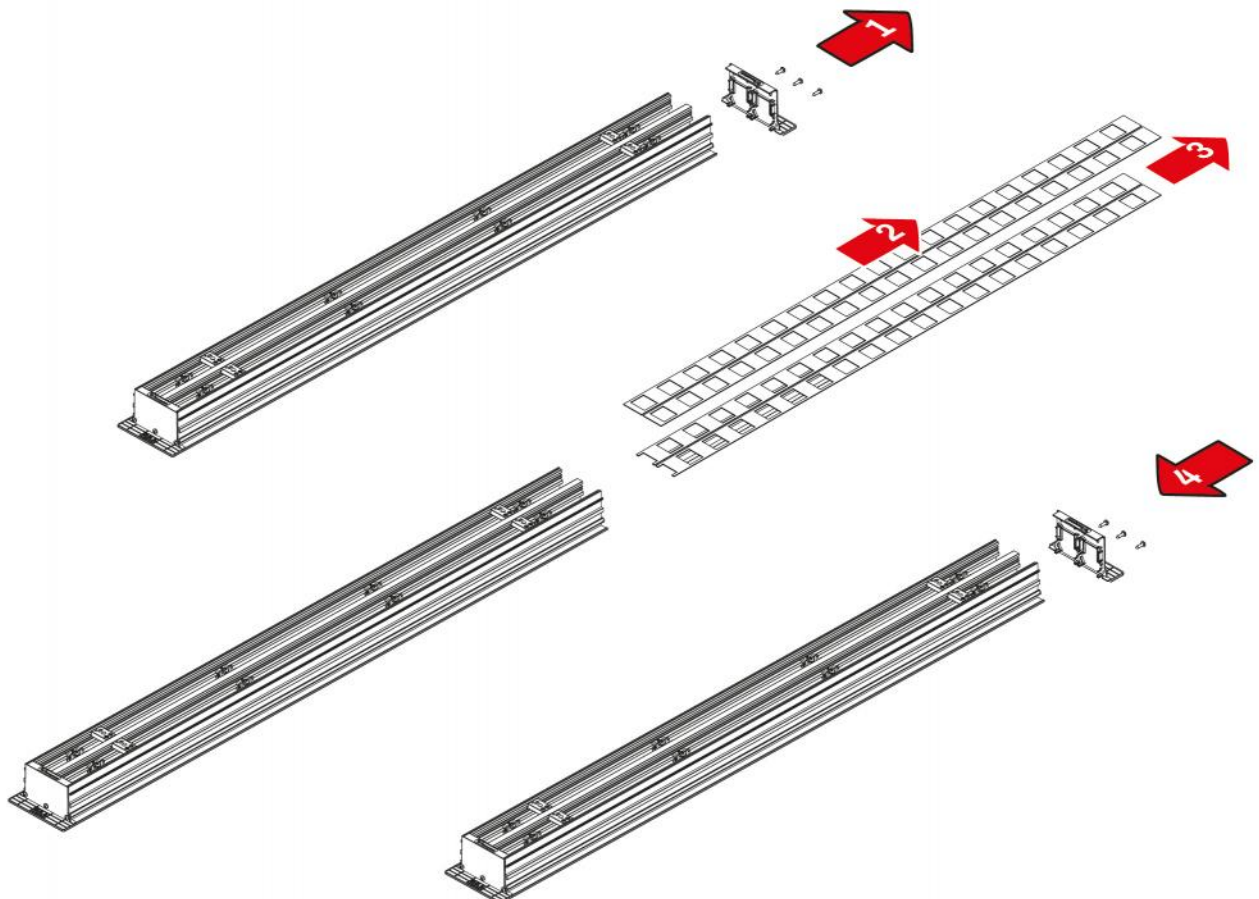


## DAMPER ADJUSTMENT

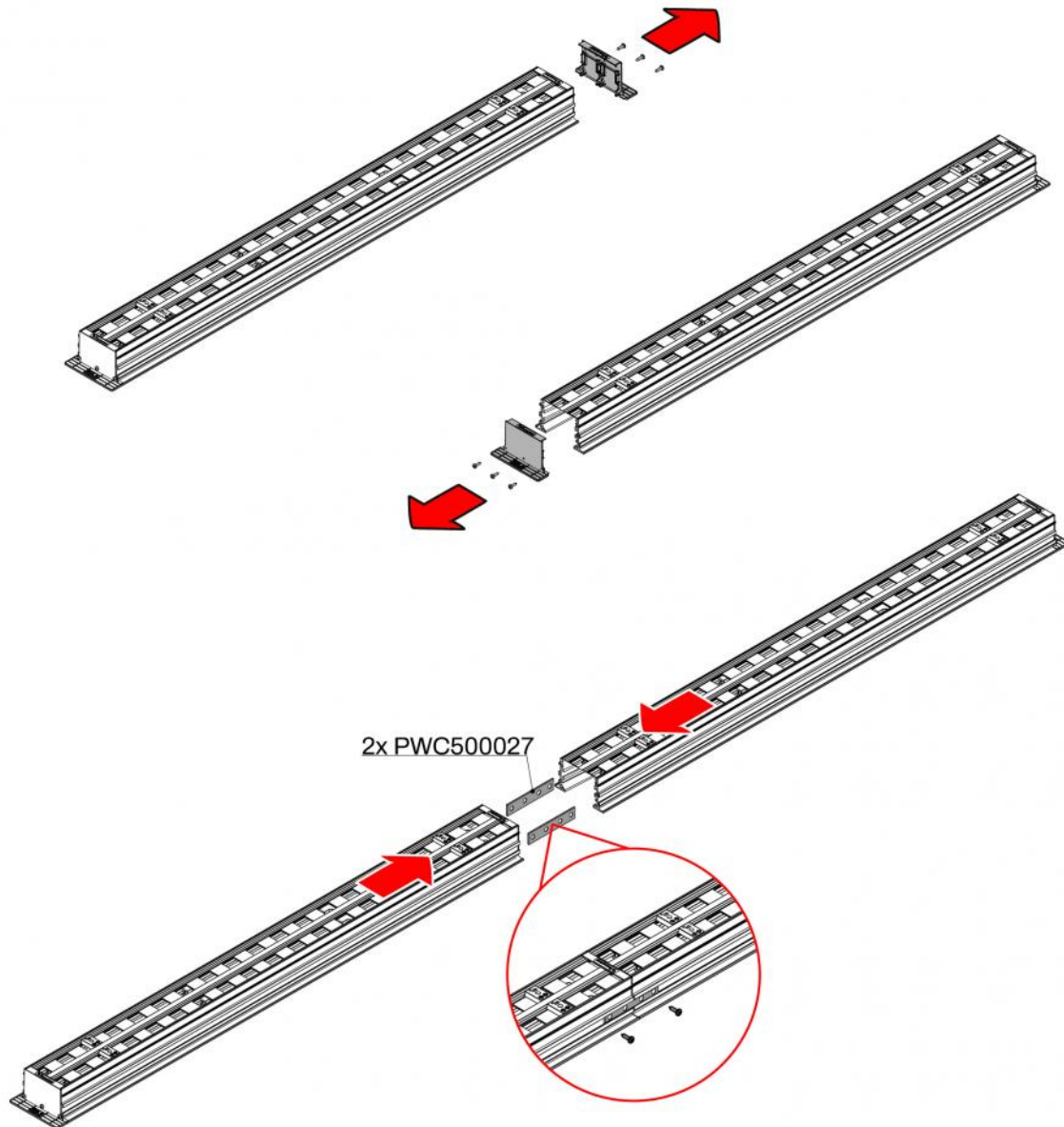


Use a screwdriver to adjust the damper, acting beneath the diffuser.

## INDICATIONS FOR THE DISASSEMBLY OF THE DAMPER



## EXAMPLE OF CONTINUITY KIT FIXING



**ITEMS**

CODE	DESCRIPTION
PWD301491	LINEAR DIFFUSOR IN ANTI-CONDENSING PVC WITH DAMPER AND CENTRAL DEFLECTOR L600mm 2 SLOTS WHITE
PWD301500	LINEAR DIFFUSOR IN ANTI-CONDENSING PVC WITH DAMPER AND CENTRAL DEFLECTOR L800mm 2 SLOTS WHITE
PWD301509	LINEAR DIFFUSOR IN ANTI-CONDENSING PVC WITH DAMPER AND CENTRAL DEFLECTOR L1000mm 2 SLOTS WHITE
PWD301518	LINEAR DIFFUSOR IN ANTI-CONDENSING PVC WITH DAMPER AND CENTRAL DEFLECTOR L1500mm 2 SLOTS WHITE
PWD301527	LINEAR DIFFUSOR IN ANTI-CONDENSING PVC WITH DAMPER AND CENTRAL DEFLECTOR L2000mm 2 SLOTS WHITE

All rights relating to this publication are the exclusive property of Tecnosystemi SpA.  
 Tecnosystemi SpA reserves the right to make changes at any time and without notice, for technical or commercial needs.