

Linear diffuser in anti-condensation PVC with damper and central baffle - 4 slots

- cod. PWD301663 - cod. PWD301666 - cod. PWD301669
- cod. PWD301672 - cod. PWD301675



DESCRIPTION

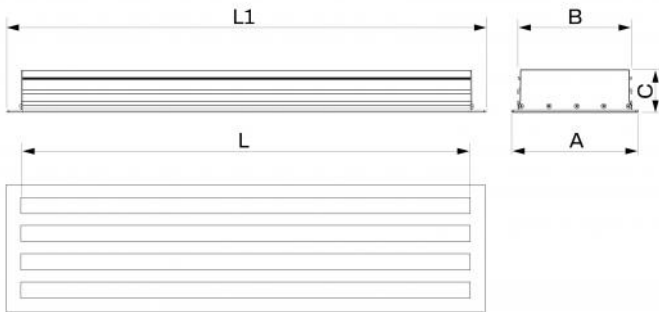
Visible linear diffuser in anti-condensate PVC with adjustable calibration damper, central baffle with 4 slots, white. Diffusers are used in places where the ceiling design has to be assured, such as offices, meeting rooms and hotels, ensuring uniform air diffusion and high thermal induction. In contrast to aluminium, due to its physical characteristics PVC does not produce condensate; this avoids the formation of fungi, mould and bacteria inside the diffuser and ensures excellent wall insulation. It is fixed to the plenum, which can be purchased separately, using front screws and mobile C brackets. The damper is used to control the required amount of air and can be calibrated using a screwdriver. Housings are obtained from inside the profiles to enable the mounting of adjustable PVC baffles. By changing the baffle direction it is possible to deliver the air flow according to the place of installation, if necessary obtaining a Coanda effect.

TECHNICAL SPECIFICATIONS:

- Realizzata in plastica PVC anticondensa
- Grado di estinguenza V0
- Temperatura di esercizio: -30 C° + 60 C°
- Fissaggio a mezzo viti e staffe
- For wall / ceiling installation
- Colore bianco opaco
- Plenum in lamiera zincata rivestito in polietilene a celle chiuse acquistabile separatamente
- Serranda di taratura incorporata
- Kit continuità acquistabile separatamente

ACCESSORIES

- Plenum in insulated galvanised metal sheet, can be purchased separately.
- Continuity kit, can be purchased separately.



DIMENSIONS

CODE	L [mm]	L1 [mm]	A [mm]	B [mm]	C [mm]
PWD301663	600	645	183	166	60
PWD301666	800	845	183	166	60
PWD301669	1000	1045	183	166	60
PWD301672	1500	1545	183	166	60
PWD301675	2000	2045	183	166	60

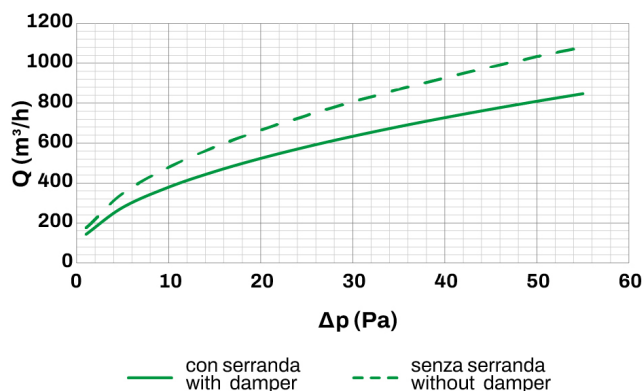
INFORMATION

Measures are indicated in millimetres (mm), unless otherwise specified.

TECHNICAL DATA

TECHNICAL SPECIFICATIONS	
Material:	Anti-condensate PVC
Colour:	White
Flammability rating:	V0
Operating temperature	-30°C ... +60°C

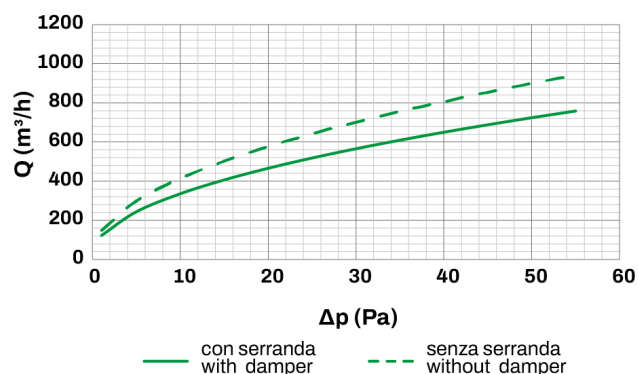
LOAD CAPACITY AND PRESSURE DROP CURVES WITH VERTICAL BAFFLE



NOTE

If there are already dampers along the ventilation system and these need to be removed in order to improve performance, refer to the paragraph "DAMPER DISASSEMBLY INDICATIONS" indicated below and consider the performance indicated in the graph from the dotted line.

LOAD CAPACITY AND PRESSURE DROP CURVES WITH BAFFLE ORIENTED FULLY TO THE RIGHT OR LEFT



NOTE

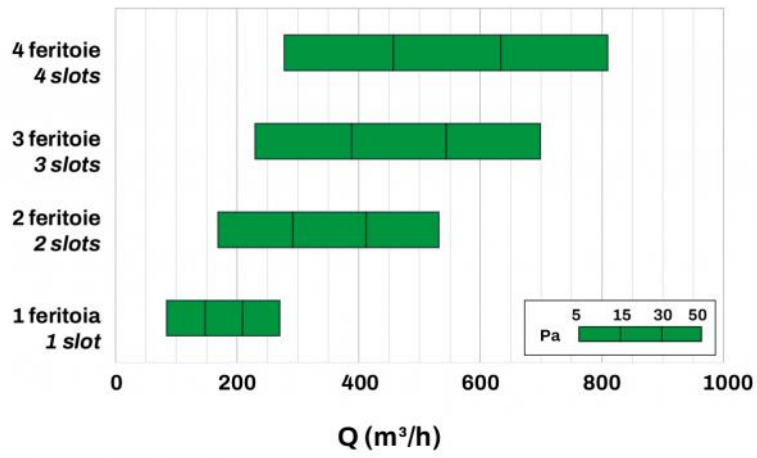
If there are already dampers along the ventilation system and these need to be removed in order to improve performance, refer to the paragraph "DAMPER DISASSEMBLY INDICATIONS" indicated below and consider the performance indicated in the graph from the dotted line.

Ak [m²]	Qv min [m³/h]	Qv max [m³/h]	Lwa min [dB(A)]	Lwa max [dB(A)]	DP min [Pa]	DP max [Pa]
0.084	380	810	35	49	10	50

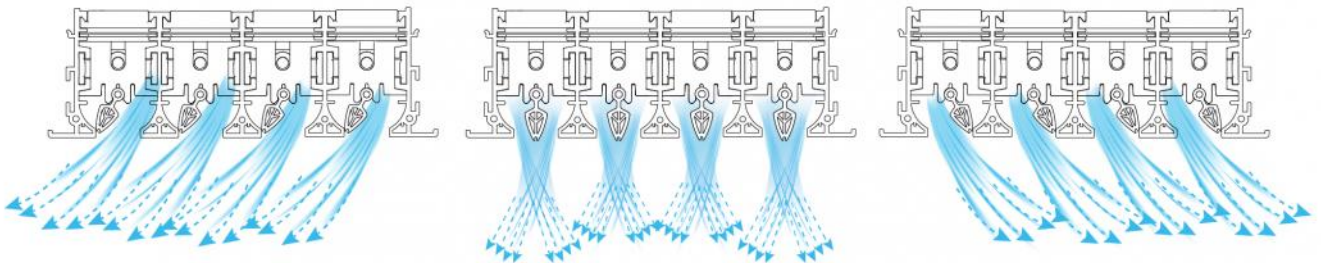
INFORMATION

The data in the table refers to 1000 mm long linear retracting diffusers, with fully open damper and vertical baffle.

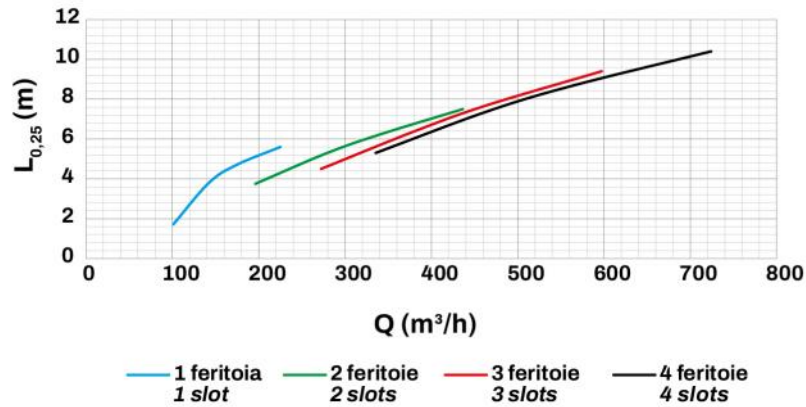
SHORTCUT DIAGRAM



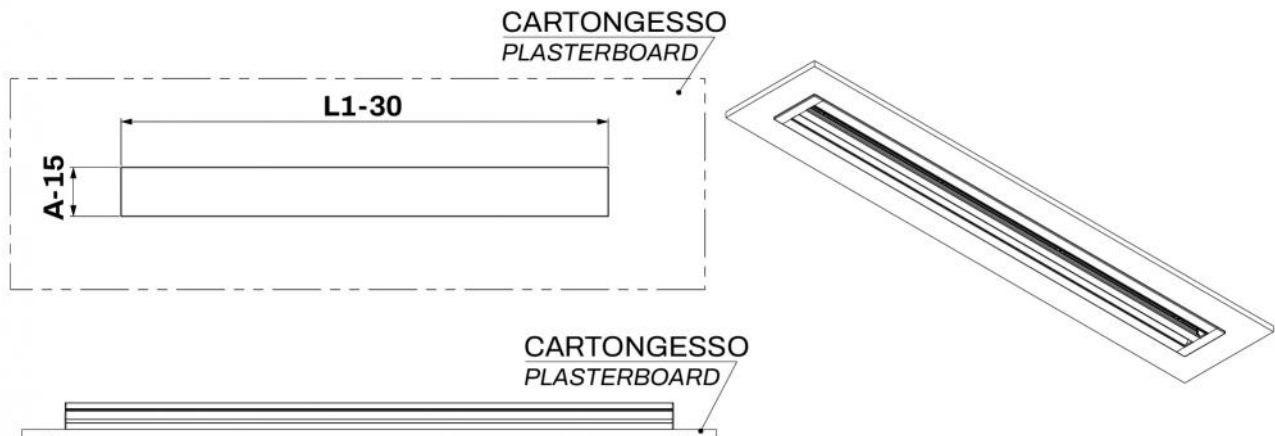
EXAMPLE OF FLOW



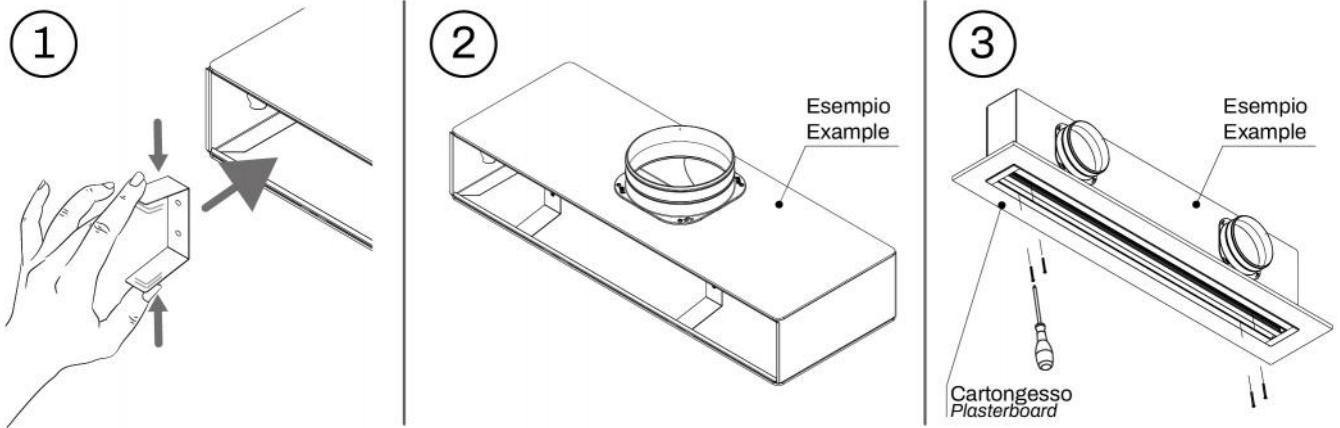
HORIZONTAL FLOW CHART WITH BAFFLE FULLY ORIENTED TO THE RIGHT OR TO THE LEFT



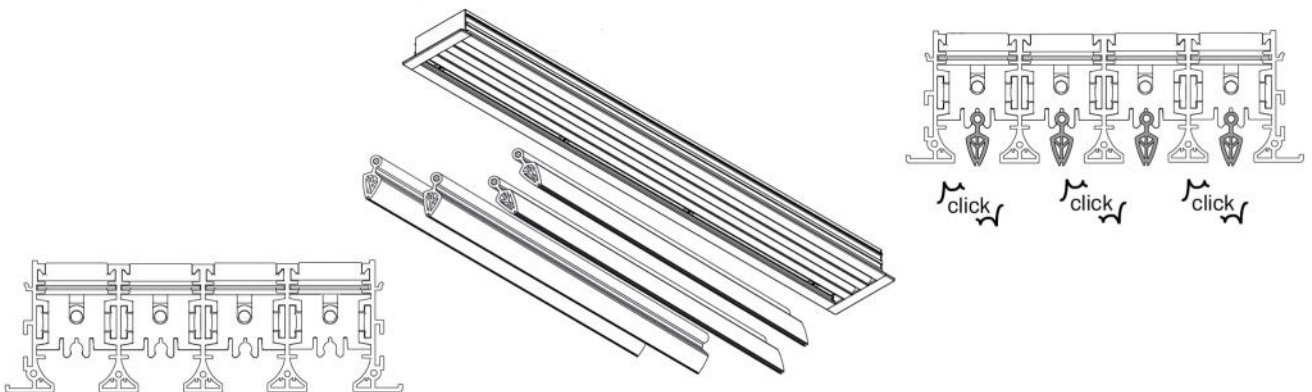
BUILT-IN INSTALLATION BOX FOR WALLS



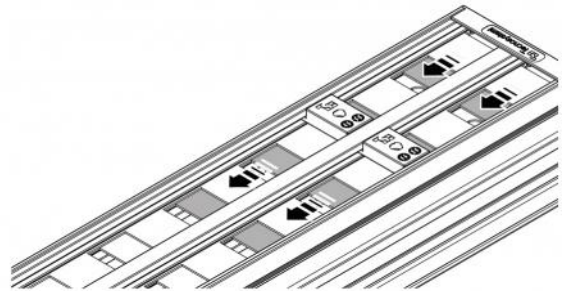
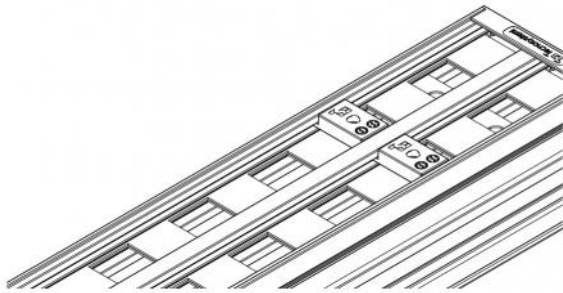
EXAMPLE OF INSTALLATION:



BAFFLE ASSEMBLY

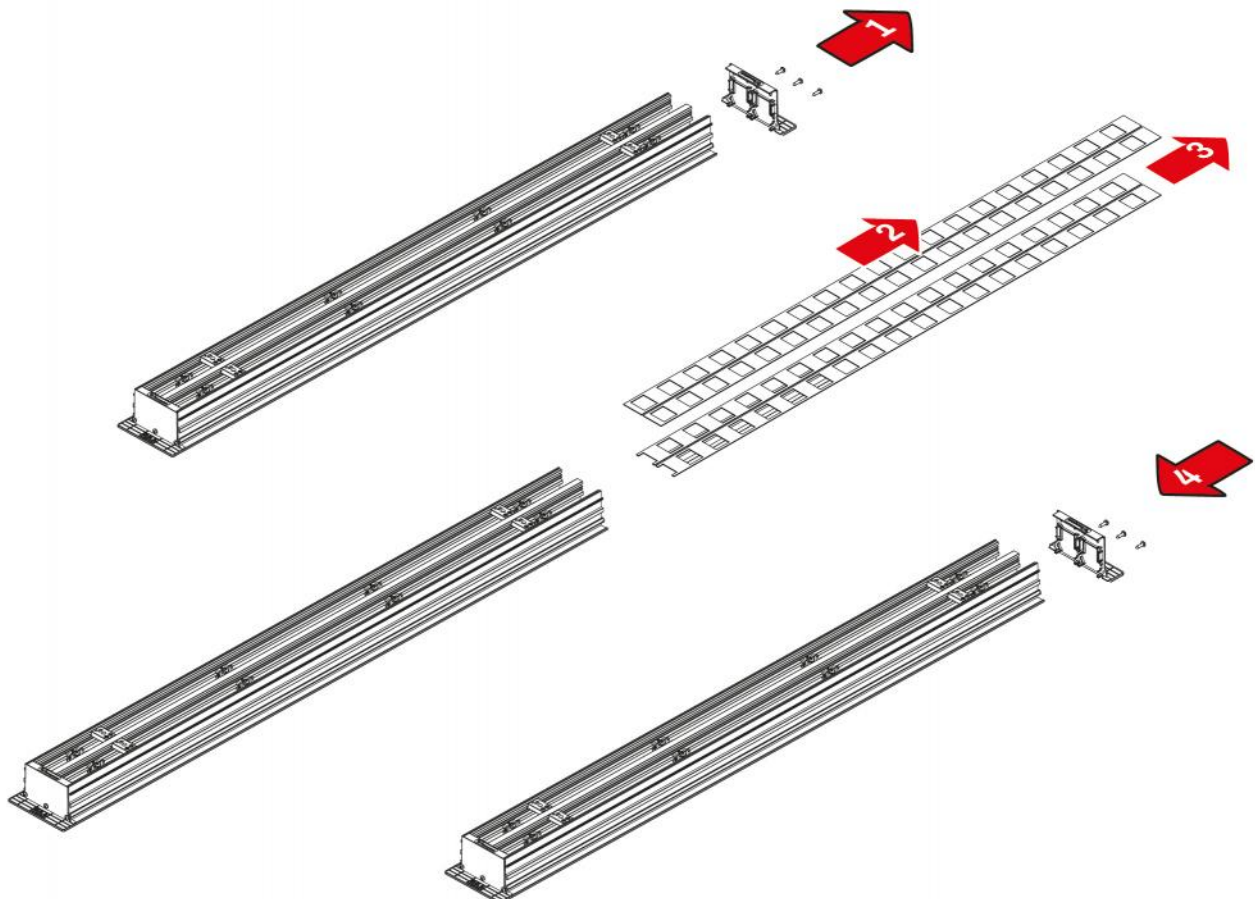


DAMPER ADJUSTMENT

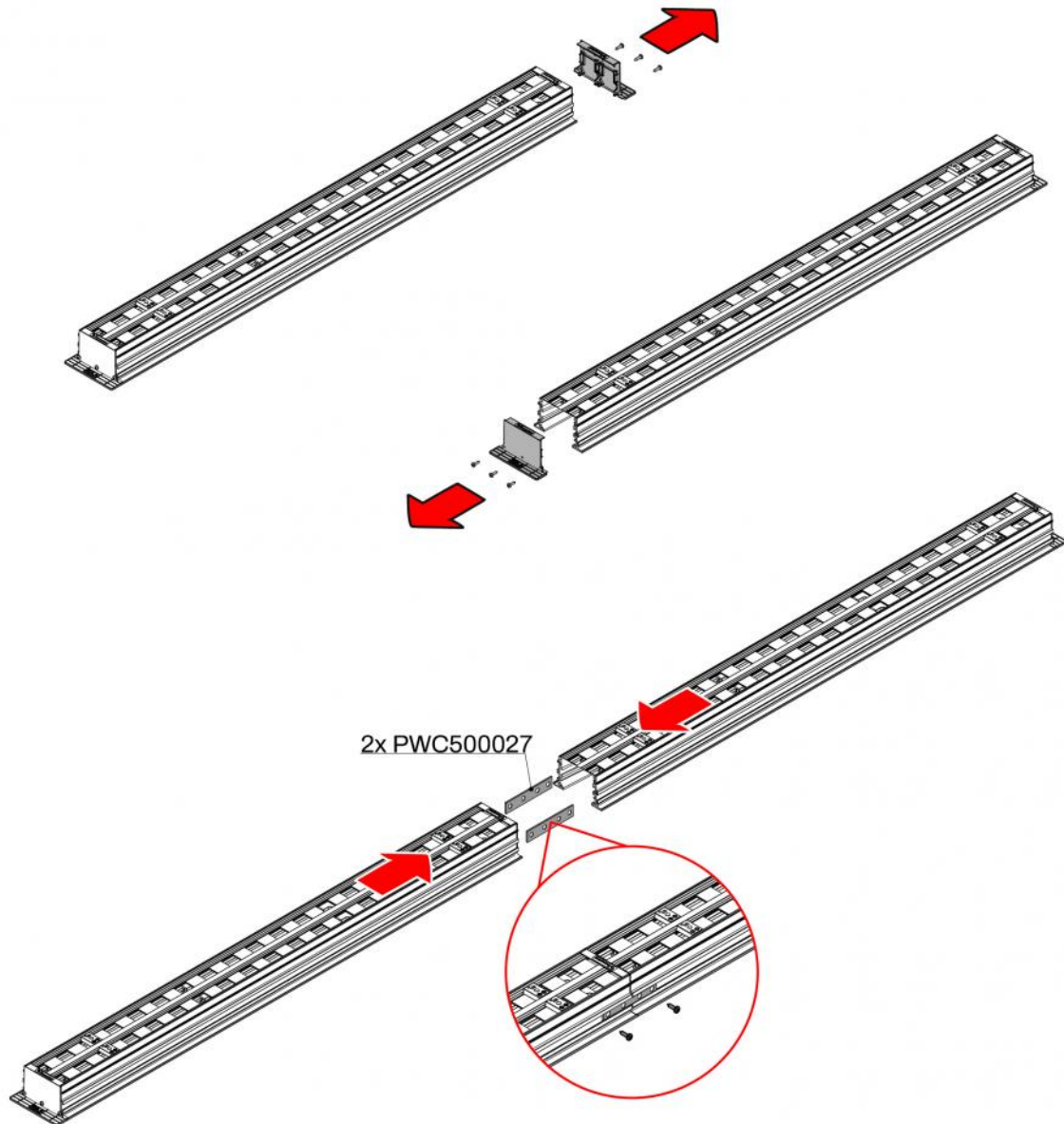


Use a screwdriver to adjust the damper, acting beneath the diffuser.

INDICATIONS FOR THE DISASSEMBLY OF THE DAMPER



EXAMPLE OF CONTINUITY KIT FIXING



ITEMS

CODE	DESCRIPTION
PWD301663	LINEAR DIFFUSER IN ANTI-CONDENSING PVC 4 SLOTS WITH DAMPER AND CENTRAL DEFLECTOR L600mm WHITE
PWD301666	LINEAR DIFFUSER IN ANTI-CONDENSING PVC 4 SLOTS WITH DAMPER AND CENTRAL DEFLECTOR L800mm WHITE
PWD301669	LINEAR DIFFUSER IN ANTI-CONDENSING PVC 4 SLOTS WITH DAMPER AND CENTRAL DEFLECTOR L1000mm WHITE
PWD301672	LINEAR DIFFUSER IN ANTI-CONDENSING PVC 4 SLOTS WITH DAMPER AND CENTRAL DEFLECTOR L1500mm WHITE
PWD301675	LINEAR DIFFUSER IN ANTI-CONDENSING PVC 4 SLOTS WITH DAMPER AND CENTRAL DEFLECTOR L2000mm WHITE

All rights relating to this publication are the exclusive property of Tecnosystemi SpA.
 Tecnosystemi SpA reserves the right to make changes at any time and without notice, for technical or commercial needs.