



DONATELLO SD

hook bracket with graduated bar and anthracite grey slide

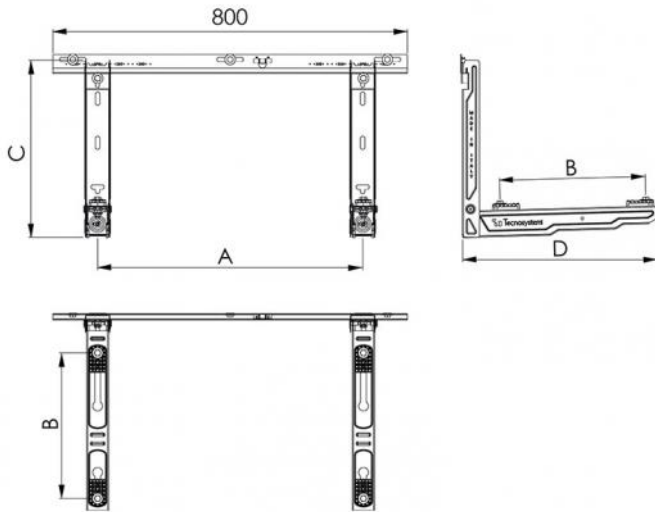
- cod. SCD500399 - cod. SCD500401 - cod. SCD500403
- cod. SCD500405



TECHNICAL SPECIFICATIONS:

- Made of electro-galvanised metal sheet
- RAL 7016 matt anthracite grey polyester paint suitable for outdoor applications
- Graduated wall bracket with spirit level included
- Adjustable rear swivel feet
- Ready for condensate drain pan
- "NO-SHOCK" vibration dampers supplied
- Wall mounting fixing plugs
- Pre-assembled wall bracket
- AVAILABLE ONLY ON REQUEST





DIMENSIONS

CODE	A [mm]	B [mm]	C [mm]	D [mm]	LOAD CAPACITY [kg]
SCD500399	350 ÷ 750	180 ÷ 330	400	440	110
SCD500401	350 ÷ 750	230 ÷ 390	400	500	110
SCD500403	350 ÷ 750	270 ÷ 450	400	560	110
SCD500405	350 ÷ 750	340 ÷ 540	400	650	100

ITEMS

CODE	DESCRIPTION
SCD500399	WALL BRACKET "DONATELLO" - 440L - GREY
SCD500401	WALL BRACKET "DONATELLO" - 500L - GREY
SCD500403	WALL BRACKET "DONATELLO" - 560L - GREY
SCD500405	WALL BRACKET "DONATELLO" - 650L - GREY

All rights relating to this publication are the exclusive property of Tecnosystemi SpA.
 Tecnosystemi SpA reserves the right to make changes at any time and without notice, for technical or commercial needs.