



KEPLERO SKP XXL

Wall bracket with graduated bar

- cod. SCD500364



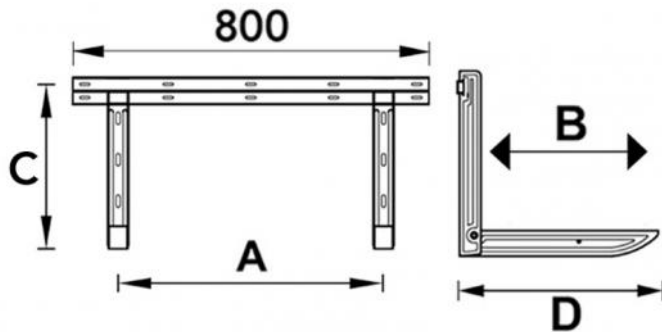
TECHNICAL SPECIFICATIONS:

- Made of electro-galvanised metal sheet
- Wall bracket with spirit level supplied
- Outdoor polyester coating in ivory
- Ready for condensate drain pan
- “NO-SHOCK” sliding vibration dampers supplied
- Fixing plugs
- Adjustable rear swivel feet

PACK COMPLETE WITH

- Adjustable rear swivel feet
- vibration-damping
- screws
- wall mount dowels set





DIMENSIONS

CODE	A [mm]	B [mm]	C [mm]	D [mm]	LOAD CAPACITY [kg]
SCD500364	350 ÷ 750	240 - 465	400	625	75

ITEMS

CODE	DESCRIPTION
SCD500364	WALL BRACKET "KEPLERO SKP 100 XXL"

All rights relating to this publication are the exclusive property of Tecnosystemi SpA.
 Tecnosystemi SpA reserves the right to make changes at any time and without notice, for technical or commercial needs.

