

# SN

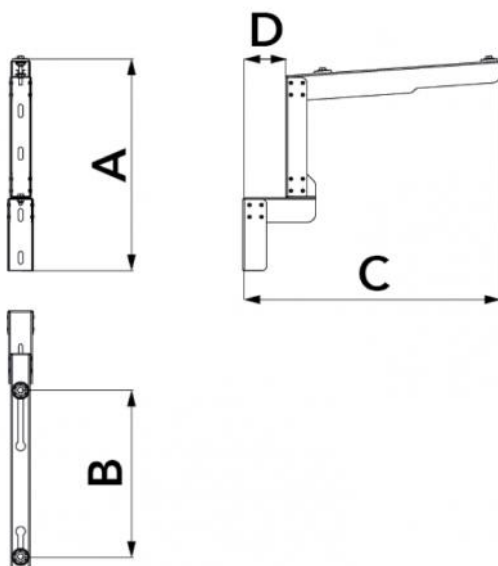
## Northern bracket

- cod. SCD500113



### TECHNICAL SPECIFICATIONS:

- Made of electro-galvanised metal sheet painted with polyester powder
- Polyester exterior painting in ivory
- Sliding vibration dampers supplied



## DIMENSIONS

CODE	A [mm]	B [mm]	C [mm]	D [mm]	LOAD CAPACITY [kg]
SCD500113	460	225 ÷ 390	600	60 ÷ 100	100

## ITEMS

CODE	DESCRIPTION
SCD500113	SN - NORTHERN BRACKET

All rights relating to this publication are the exclusive property of Tecnosystemi SpA.  
Tecnosystemi SpA reserves the right to make changes at any time and without notice, for technical or commercial needs.

