

## DISCOVERY 2X

wall-mounted programmable thermostat  
with touch, battery-run radio frequency

11181420



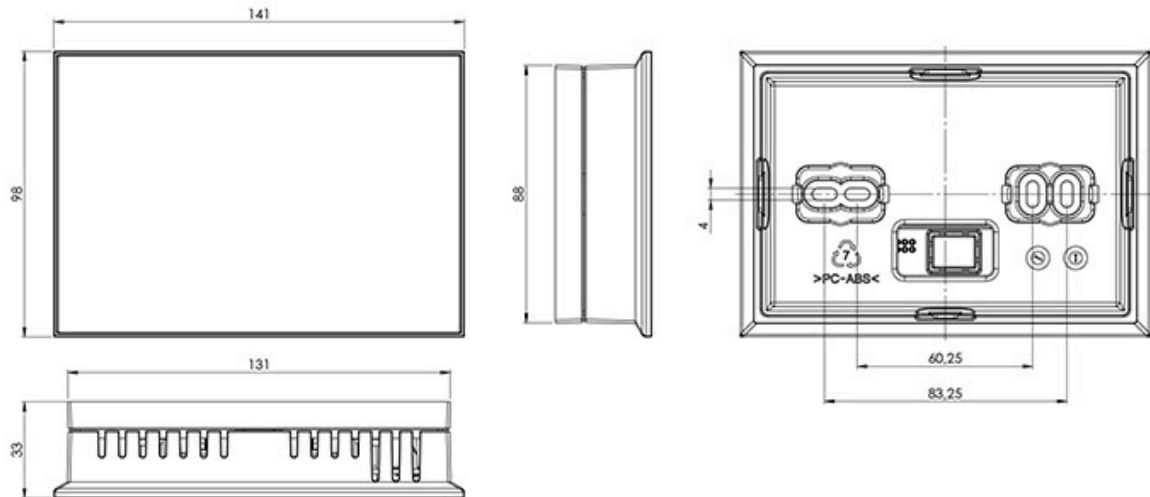
### TECHNICAL SPECIFICATIONS:

- Power supply battery 2 x 1.5 V type AA (LR6) supplied
- Battery life 18/24 months (normal use)
- 868 Mhz RF data transmission
- RF signal range 50 m maximum in open field between chronothermostat and "Polaris" control unit
- 4.5" LCD display

### FUNCTIONS

- Touch keypad
- Features: chronological or manual
- Automatic or manual adjustment of damper and nozzle
- Timed thermostat lock
- Temperature scale °C / °F
- RH display in %
- Humidity control in radiant cooling mode with relay module
- Ready for window contact
- AT and set point value
- Clock (AM - PM / 24h)
- Daily and weekly feature
- Wall mounted using template, screws and fixing plugs supplied

## DIMENSIONS

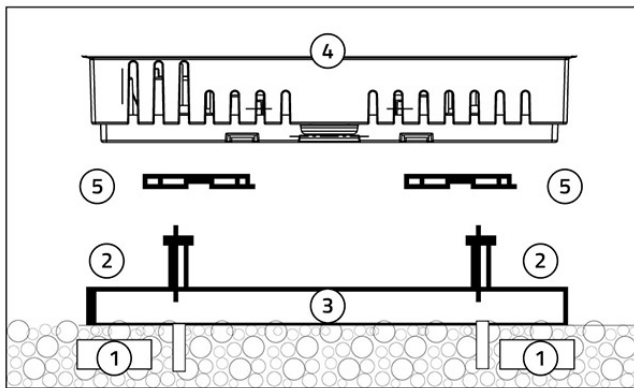


## FIXING

Wall-mounting using supplied template, screws and fixing plugs

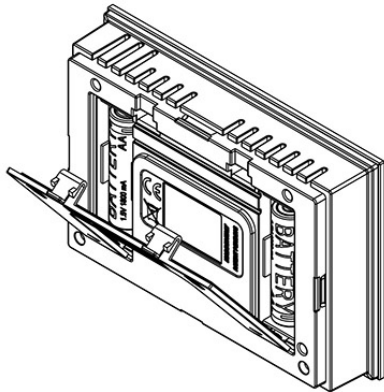
The programmable thermostat is fastened to the wall very quickly.

The programmable thermostat can be attached to / detached from the wall at any time with a slight external pressure by means of a coupling template supplied.



- [1] Dowel
- [2] Screw
- [3] Fastening template
- [4] Timed thermostat
- [5] Cap

## BATTERY REPLACEMENT



Battery life 18/24 months (normal use)  
The chronothermostats are powered by No. 2 AA type 1.5 V batteries

## ITEMS

CODE	DESCRIPTION
11181420	LUMIX WHITE, WALL-MOUNTED, RADIO FREQUENCY PROGRAMMABLE THERMOSTAT - DISCOVERY 2X