

DATASHEET

rev. 01 - 5/10/2022

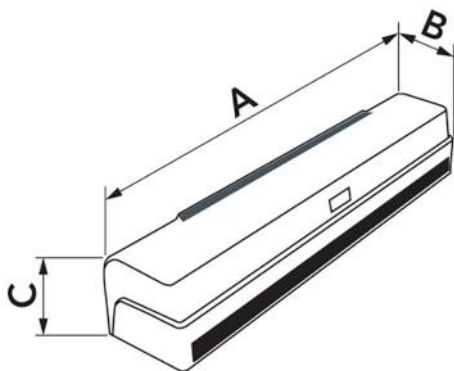
Centrifugal air curtain with upper extraction
with body in ABS

AAC100001 - 12300044 - 123000445



TECHNICAL SPECIFICATIONS:

- 3 models in white
- Operating temperature: + 50°C to -10°C
- 3 speeds operated by remote control or manually
- Air curtains are designed for indoor use.
- Upper air intake
- The unit must be installed horizontally
- Maximum installation height 4 m



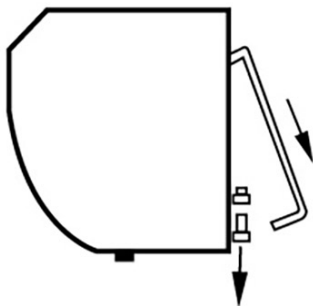
DIMENSIONS

CODE	MODEL	A [mm]	B [mm]	C [mm]	SUITABLE FOR LARGE DOORS [mm]
AAC100001	900	900	231	216	L900 H3000
12300044	1200	1200	231	216	L1200 H4000
123000445	1500	1500	231	216	L1500 H4000

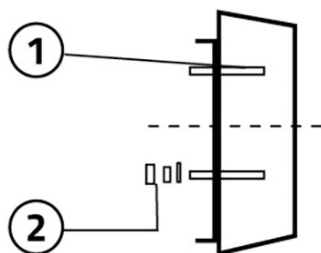
TECHNICAL DATA

CODE	SUPPLY VOLTAGE [V]	FREQUENCY [Hz]	POWER CONSUMPTION [W]	AIR SPEED AT INLET [m/s]	AIR FLOW RATE [m³/h]	SOUND POWER LEVEL [DB(A)]	WEIGHT [kg]	REMOTE CONTROL
AAC100001	230 ac	50	I:175 II:217 III:296	I:10 II:12.5 III:15	I:737 II:867 III:1020	I:50 II:52 III:53	12	3-speed adjustment
12300044	230 ac	50	I:235 II:272 III:390	I:10 II:12.5 III:15	I:983 II:1156 III:1360	I:51 II:53 III:54	16	3-speed adjustment
123000445	230 ac	50	I:272 II:333 III:490	I:10 II:12.5 III:15	I:1225 II:1445 III:1700	I:53 II:53 III:56	20,6	3-speed adjustment

INSTALLATION AND START-UP

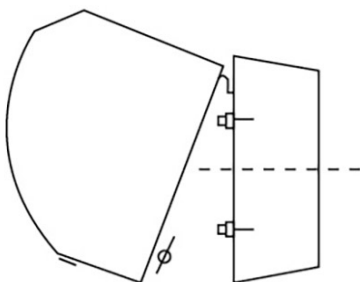


Unscrew the mounting plate and remove it.

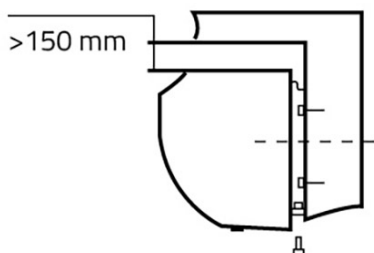


Drill a hole as shown in the instructions and insert the screw into it, securing it in the cement.

[1] Screw
[2] Nut - spring washer - washer



Position the mounting plate and secure it.



Install the air curtain on the mounting plate, making sure that it is in the safety position and tighten it with the appropriate screws.

GENERAL WARNINGS

- For safety reasons, the apparatus has to be installed on a solid wall in such a way as to avoid vibration and excessive noise
- Operating temperature: + 50°C to -10°C
- Air curtains are designed for indoor use.
- Choose the model according to the installation height: if it is too high, it may adversely affect the operating distance and reduce the effectiveness of the apparatus
- The air is extracted from the front of the unit and blown downwards
- If the door is wider than the air curtain, several units may be installed side-by-side, leaving a space of 20 to 40 mm between one apparatus and the other
- The assembly plate shall be installed on a single, uniform wall
- There has to be a distance of at least 200 mm between the unit and the ceiling
- The unit must be installed horizontally
- The installation height shall not be less than 2.3 m above the ground
- The connection must be preceded by a three-pole switch with a minimum opening of at least 3 mm between the contacts

CONDITIONS OF USE

DO NOT INSTALL the air curtain in the following conditions

- Room temperature above 50°C or below -10°C
- Relative humidity higher than 95% of the room temperature and rooms very humid
- Oily smoke
- Materials or gases that may cause explosion
- Corrosive gases
- Places reachable by water spray

ITEMS

CODE	DESCRIPTION
AAC100001	"AIR FOR 3 STYLE" AIR CURTAIN WITH ABS PLASTIC BODY CENTRIFUGAL AND UPPER INTAKE, L.900
12300044	"AIRFOR3 STYLE" CENTRIFUGAL AIR CURTAIN WITH UPPER AIR INTAKE 1200
123000445	"AIRFOR3 STYLE" CENTRIFUGAL AIR CURTAIN WITH UPPER AIR INTAKE 1500