

PICO HP2 WI

static extractor unit wall-mounted heat recovery and with external or built-in power supply

ACD100001 - ACD100002 - ACD100003
 ACD100004 - ACD100005 - ACD100006
 ACD100046 - ACD100047 - 11161370T

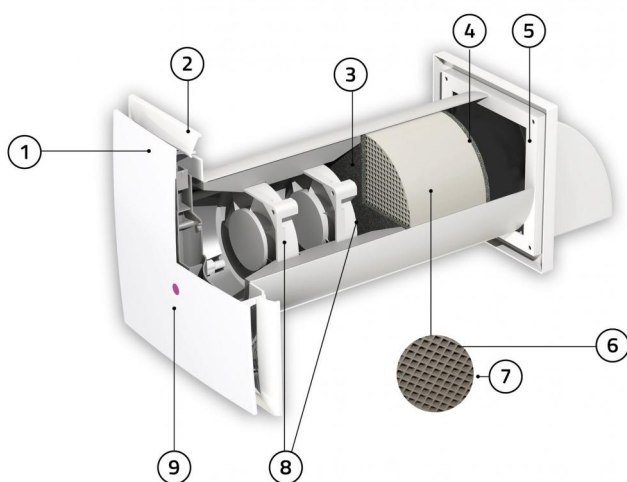


PICO^{wi}
 HP2

TECHNICAL SPECIFICATIONS:

- For wall installation
- Panel thickness from the wall 35 mm
- Available with flow rates from 30 to 100 m³/h
- Wi-Fi control mode (offline)
- Humidity threshold can be set to 3 different values: 40 - 50 - 60%
- Heat exchanger made of high-efficiency ceramic
- Built-in grade G2 filters
- Fan with low energy consumption
- Suitable for continuous operation
- Equipped with remote control
- Coloured LEDs on panel for settings display
- 3 speeds
- External/built-in power supply 230 V AC supplied
- Minimum installation wall thickness: 310mm

TECHNICAL DETAILS



- [1] Aesthetic front panel
- [2] Extraslim grille
- [3] Filter 1
- [4] Filter 2
- [5] External grille
- [6] Exchanger pack
- [7] Detail of the exchanger pack in ceramic material
- [8] 3-speed motors
- [9] LED light function

Pictured is an example of Pico HP2 55

OPERATING MODE

WI-FI MODE

All Pico functions can also be controlled via WI-FI directly from smartphones or tablets in a simple and intuitive way.

EASILY CONTROLLED WITH REMOTE CONTROL OR WITH APP OFF-LINE



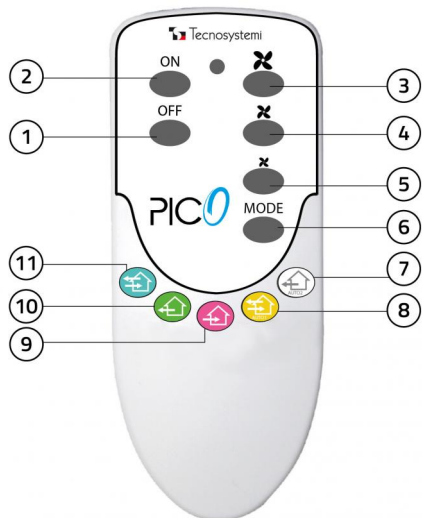
APP INTERFACE - WI-FI CONTROL MODE (OFFLINE)



All Pico functions can also be controlled via WI-FI directly from your smartphone or tablet in a simple and intuitive way.

Simply activate the function from the device and select Pico WI to access the system.

USING THE REMOTE CONTROL



- [1] Fan OFF
- [2] Fan ON
- [3] Maximum speed (humidity value 60%)
- [4] Medium speed (humidity value 50%)
- [5] Low speed (humidity value 40%)
- [6] Change mode
- [7] AUTO 2
- [8] AUTO 1
- [9] Delivery
- [10] Extraction
- [11] Air recovery unit

FUNCTIONS OF THE REMOTE CONTROL

HEAT RECOVERY UNIT: the system works for 70 seconds in intake and for 70 seconds in delivery with the possibility to regulate the three speeds.

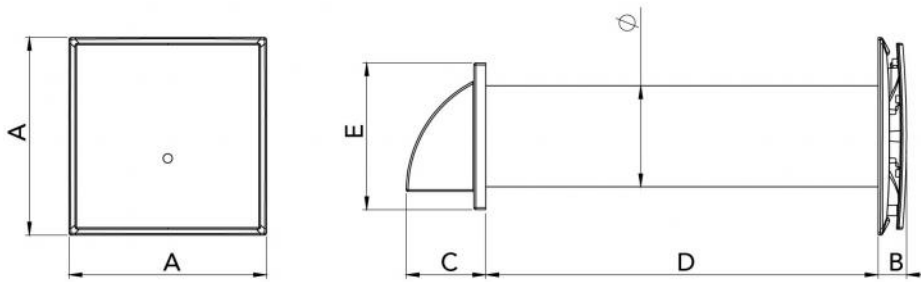
EXTRACTION: the system works in internal air extraction only mode, with the possibility to regulate the three speeds.

DELIVERY: the device works in aeration only mode, aspirating external air and introducing it into the room, the possibility of regulating the three speeds is provided.

AUTO 1: the system is in stand-by. When the air in the room exceeds the threshold of humidity; settable at 40%, 50% or 60%, the device starts in recovery mode until the humidity level falls within the set value.

AUTO 2: the system is in standby, when the air in the room exceeds the threshold of humidity; settable at 40%, 50% or 60%, the device starts in extraction only mode until the humidity level falls within the set value.

DIMENSIONI PICO HP2 30 - 55 - 80 WI



| MODEL | A [mm] | B [mm] | C [mm] | D [mm] | E [mm] | Ø [mm] |
|-----------|--------|--------|--------|--------|--------|--------|
| HP2 30 WI | 250 | 35 | 86 | 500 | 154 | 103 |
| HP2 55 WI | 250 | 35 | 101 | 500 | 186 | 128 |
| HP2 80 WI | 250 | 35 | 101 | 500 | 186 | 153 |

PICO HP2 30 WI

| TECHNICAL DATA | speed min 1 | speed min 2 | speed min 3 |
|-----------------------------------|--------------|-------------|-------------|
| Supply voltage [V] | 230 | 230 | 230 |
| Power [W] | 1,3 | 1,4 | 1,4 |
| Current consumed [mA] | 38 | 42 | 47 |
| Air flow rate [m ³ /h] | 23 | 25 | 28 |
| RPM | 1863 | 2070 | 2300 |
| Sound level 1 m [dB(A)] (min) | 32 | 33 | 34 |
| Air temperature [°C] | Da -20 a +50 | | |
| Regenerative efficiency | ≤90% | | |
| Material exchanger pack | Ceramic | | |
| Pipe dimensions [mm] | Ø 103 | | |
| Protection rating [IP] | IP 24 | IP 24 | |

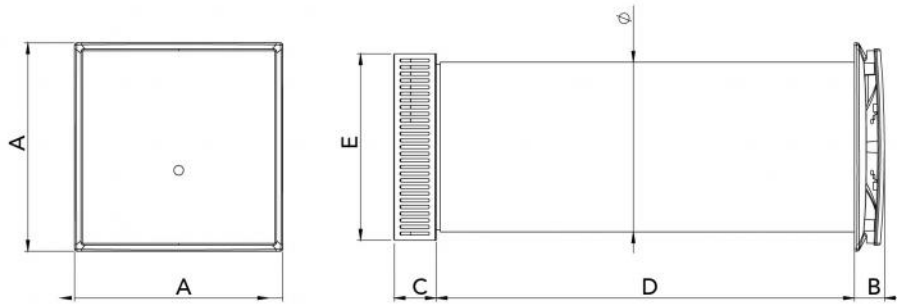
PICO HP2 55 WI

| TECHNICAL DATA | speed min 1 | speed min 2 | speed min 3 |
|-----------------------------------|--------------|-------------|-------------|
| Supply voltage [V] | 230 | 230 | 230 |
| Power [W] | 1,3 | 1,46 | 2,2 |
| Current consumed [mA] | 65,5 | 73 | 81 |
| Air flow rate [m ³ /h] | 23 | 35 | 46 |
| RPM | 2106 | 2340 | 2600 |
| Sound level 1 m [dB(A)] (min) | 29 | 33 | 40 |
| Air temperature [°C] | Da -20 a +50 | | |
| Regenerative efficiency | ≤90% | | |
| Material exchanger pack | Ceramic | | |
| Pipe dimensions [mm] | Ø 128 | | |
| Protection rating [IP] | IP 24 | | |

PICO HP2 80 WI

| TECHNICAL DATA | speed min 1 | speed min 2 | speed min 3 |
|-----------------------------------|--------------|-------------|-------------|
| Supply voltage [V] | 230 | 230 | 230 |
| Power [W] | 1,7 | 2,6 | 3,6 |
| Current consumed [mA] | 162 | 180 | 200 |
| Air flow rate [m ³ /h] | 39 | 64 | 74 |
| RPM | 2350 | 2610 | 2900 |
| Sound level 1 m [dB(A)] (min) | 33 | 41 | 46 |
| Air temperature [°C] | Da -20 a +50 | | |
| Regenerative efficiency | ≤90% | | |
| Material exchanger pack | Ceramic | | |
| Pipe dimensions [mm] | Ø 153 | | |
| Protection rating [IP] | 24 | 24 | 24 |

DIMENSIONI PICO HP2 100 WI



PICO HP2 100 WI

| TECHNICAL DATA | speed min 1 | speed min 2 | speed min 3 |
|-----------------------------------|--------------|-------------|-------------|
| Supply voltage [V] | 230 | 230 | 230 |
| Power [W] | 6,6 | 7,7 | 8,4 |
| Current consumed [mA] | 550 | 640 | 700 |
| Air flow rate [m ³ /h] | 70 | 81 | 91 |
| RPM | 3395 | 4070 | 4500 |
| Sound level 1 m [dB(A)] (min) | 46 | 48 | 50 |
| Air temperature [°C] | Da -20 a +50 | | |
| Regenerative efficiency | ≤90% | | |
| Material exchanger pack | Ceramic | | |
| Pipe dimensions [mm] | Ø 204 | | |
| Protection rating [IP] | IP 24 | | |

INSTALLATION

The heat recovery unit was designed for application within premises with a room with wall thicknesses from 310 mm to 500 mm (optional pipe L = 1500 mm) and room temperature varying from -20°C to +50°C and relative humidity of up to 80%.

POWER SUPPLY

The heat recovery unit must be connected to the single-phase 230 V AC - 50 Hz mains by means of the supplied 12 V DC inducement transformer.

To make the connection easier, the recovery unit is supplied with a 2 m long pre-wired power cord.

ITEMS

| CODE | DESCRIPTION |
|-----------|---|
| ACD100001 | "PICO HP2 30 WI" WALL-MOUNTED CROSS FLOW STATIC INTAKE/EXTRACTOR FAN WITH HEAT RECOVERY,EQUIPPED W/ EXTERNAL POWER SUPPLY |
| ACD100002 | "PICO HP2 55 WI" WALL-MOUNTED CROSS FLOW STATIC INTAKE/EXTRACTOR FAN WITH HEAT RECOVERY,EQUIPPED W/ EXTERNAL POWER SUPPLY |
| ACD100003 | "PICO HP2 80 WI" WALL-MOUNTED CROSS FLOW STATIC INTAKE/EXTRACTOR FAN WITH HEAT RECOVERY,EQUIPPED W/ EXTERNAL POWER SUPPLY |
| ACD100004 | "PICO HP2 30 WI" WALL-MOUNTED CROSS FLOW STATIC INTAKE/EXTRACTOR FAN WITH HEAT RECOVERY,EQUIPPED W / BUILT -IN POWER SUPPLY |
| ACD100005 | "PICO HP2 55 WI" WALL-MOUNTED CROSS FLOW STATIC INTAKE/EXTRACTOR FAN WITH HEAT RECOVERY,EQUIPPED W / BUILT -IN POWER SUPPLY |
| ACD100006 | "PICO HP2 80 WI" WALL-MOUNTED CROSS FLOW STATIC INTAKE/EXTRACTOR FAN WITH HEAT RECOVERY,EQUIPPED W / BUILT -IN POWER SUPPLY |
| ACD100046 | "PICO HP2 1000 WI" WALL-MOUNTED STATIC INTAKE/EXTRACTOR FAN WITH HEAT RECOVERY,EQUIPPED W/ EXTERNAL POWER SUPPLY |
| ACD100047 | "PICO HP2 1000 WI" WALL-MOUNTED STATIC INTAKE/EXTRACTOR FAN WITH HEAT RECOVERY,EQUIPPED W/ BUILT-IN POWER SUPPLY |
| 11161370T | TT 200 PIPE WITH DEFLECTOR (Ø 200 - LENGTH 1500) |