



Tecnosystemi[®]
group

37

Catalogue 37

NEWS 2024



EXCELLENS T 72

MADE IN ITALY

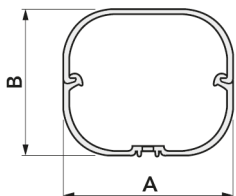
STANDARD DUCT



GOULOTTE STANDARD



STANDARDKANAL



GREY LINE
RAL 7016



MODEL	QUANTITY MIN.	GREY LINE	DIMENSIONS	
		CODICE	A [mm]	B [mm]
T 72 - EXC	8 PZ. = 16 m	SCD100184	72	64

EXCELLENS TM 72

MADE IN ITALY

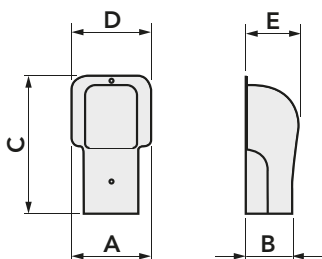
WALL MOUNTED TERMINAL



BORNE MURAL



WANDTERMINAL



GREY LINE
RAL 7016



MODEL	QUANTITY MIN.	GREY LINE	DIMENSIONS				
		CODE	A [mm]	B [mm]	C [mm]	D [mm]	E [mm]
TM 72 - EXC	5 PZ.	SCD100185	78	68	125	114	62

EXCELLENS TA 72

MADE IN ITALY

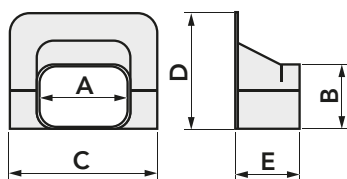
CORNER TERMINAL



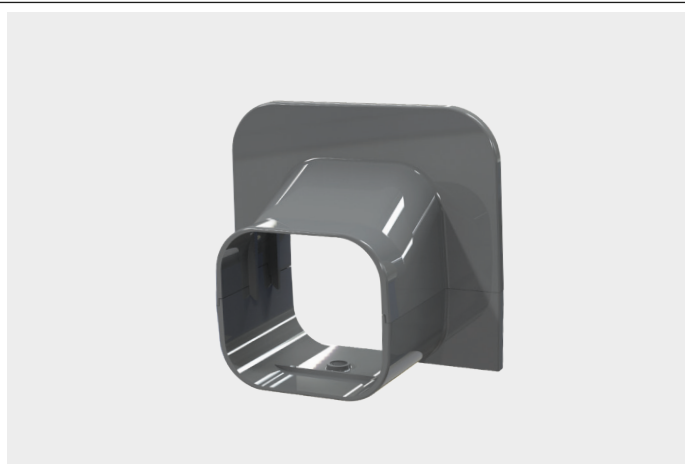
BORNE EN ANGLE



WINKELABSCHLUSS



GREY LINE
RAL 7016



MODEL	QUANTITY MIN.	GREY LINE	DIMENSIONS				
		CODE	A [mm]	B [mm]	C [mm]	D [mm]	E [mm]
TA 72 - EXC	5 PZ.	SCD100189	78	68	125	114	62

EXCELLENS CP 72

MADE IN ITALY

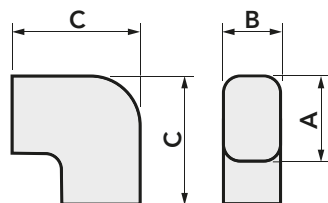
FLAT CURVE



COURBE PLATE



FLACHE KURVE



GREY LINE
RAL 7016



MODEL	QUANTITY MIN.	GREY LINE	DIMENSIONS		
		CODE	A [mm]	B [mm]	C [mm]
CP 72 - EXC	5 PZ.	SCD100186	78	68	118

EXCELLENS CPS 72

MADE IN ITALY

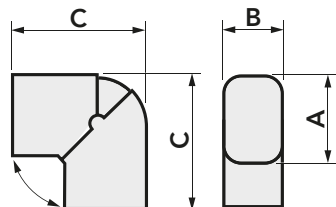
ARTICULATED FLAT CURVE



COURBE PLATE ARTICULÉE



GELENKIGE FLACHE KURVE



90° / 135°

GREY LINE
RAL 7016



MODEL	QUANTITY MIN.	GREY LINE	DIMENSIONS		
		CODE	A [mm]	B [mm]	C [mm]
CPS 72 - EXC	5 PZ.	SCD100190	78	68	130

EXCELLENS CA 72

MADE IN ITALY

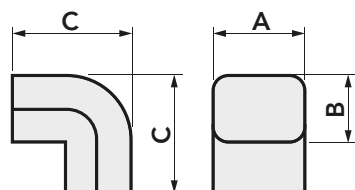
CORNER CURVE



COURBE EN ANGLE



WINKEL-KURVE



GREY LINE
RAL 7016



MODEL	QUANTITY MIN.	GREY LINE	DIMENSIONS		
		CODE	A [mm]	B [mm]	C [mm]
CA 72 - EXC	5 PZ.	SCD100187	78	68	98

EXCELLENS CAS 72

MADE IN ITALY

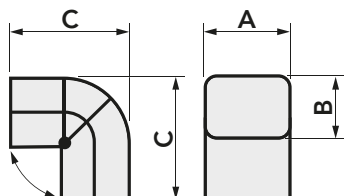
ARTICULATED CORNER CURVE



COURBE EN ANGLE ARTICULÉE



GELENKIGE WINKELKURVE



90° / 135°

GREY LINE
RAL 7016



MODEL	GREY LINE	DIMENSIONS		
	CODE	A [mm]	B [mm]	C [mm]
CAS 72 - EXC	SCD100191	78	68	120

EXCELLENS MG 72

MADE IN ITALY

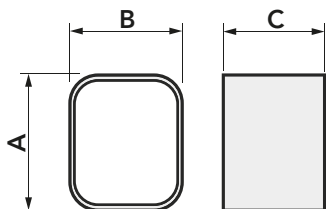
JOINT SLEEVE



MANCHON DE JONCTION



VERBINDUNGSMUFFE



GREY LINE
RAL 7016



MODEL	QUANTITY MIN.	GREY LINE	DIMENSIONS		
		CODE	A [mm]	B [mm]	C [mm]
MG 72 - EXC	3 PZ.	SCD100188	78	68	120

EXCELLENS RM 72

MADE IN ITALY

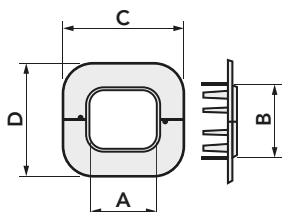
WALL FLANGE



BRIDE MURALE



WANDFLANSCH



GREY LINE
RAL 7016



MODEL	GREY LINE	DIMENSIONS			
	CODE	A [mm]	B [mm]	C [mm]	D [mm]
RM 72 - EXC	SCD100192	78	68	120	112

EXCELLENS TS 72

MADE IN ITALY

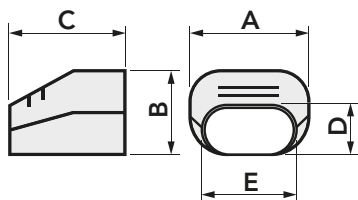
PIPE OUTPUT TERMINAL



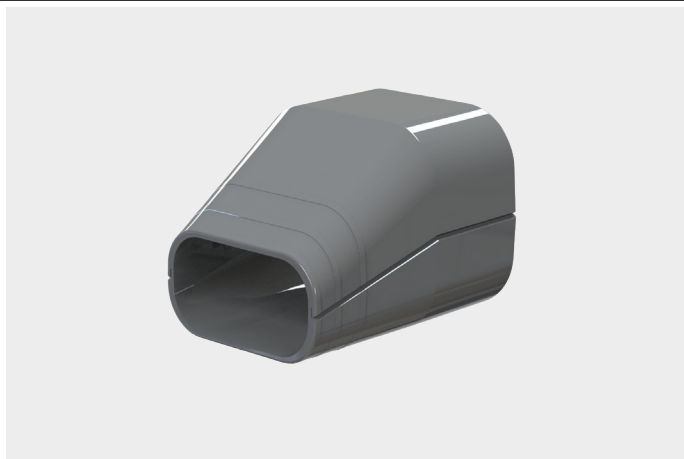
BORNE SORTIE TUYAU



ABSCHLUSS FÜR ROHRAUSTRITT



GREY LINE
RAL 7016



MODEL	QUANTITY MIN.	GREY LINE	DIMENSIONS				
		CODE	A [mm]	B [mm]	C [mm]	D [mm]	E [mm]
TS 72 - EXC	3 PZ.	SCD100193	104	78	110	35	67

EXCELLENS MF 72

MADE IN ITALY

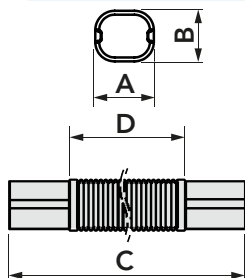
FLEXIBLE SLEEVE



MANCHON FLEXIBLE



FLEXIBLE MUFFE



BLACK LINE
RAL 9005

GREY LINE
RAL 7016



MODEL	BLACKLINE	GREY LINE	DIMENSIONS			
	CODE	CODE	A [mm]	B [mm]	C [mm]	D [mm]
MF 72 - EXC	SCD100183	SCD100194	72	64	520	420

EXCELLENS TC 72

MADE IN ITALY

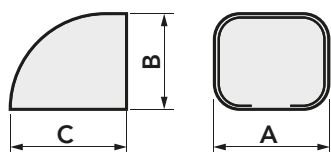
CLOSING CAP



BOUCHON DE FERMETURE



VERSCHLUSS-KAPPE



GREY LINE
RAL 7016



MODEL	QUANTITY MIN.	GREY LINE	DIMENSIONS				
		CODE	A [mm]	B [mm]	C [mm]	D [mm]	E [mm]
TC 72 - EXC	3 PZ.	SCD100196	104	78	110	35	67

EXCELLENS DT 72

MADE IN ITALY

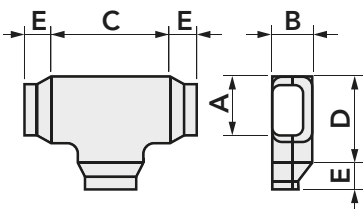
“T” SHUNT



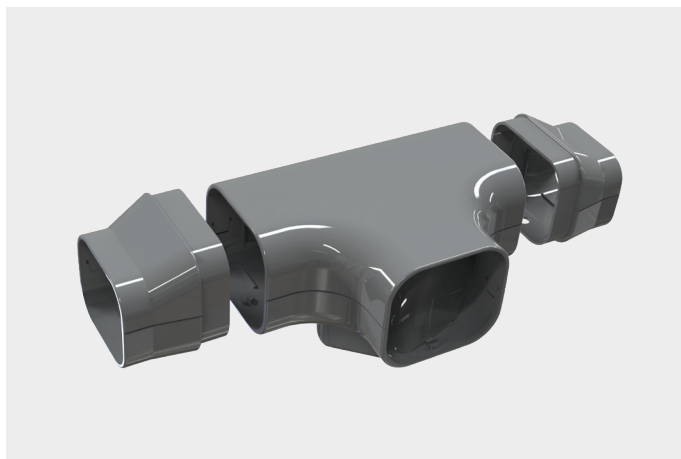
DÉRIVATION EN “T”



“T”-ABZWEIGUNG



GREY LINE
RAL 7016



MODEL	QUANTITY MIN.	GREY LINE	DIMENSIONS				
		CODE	A [mm]	B [mm]	C [mm]	D [mm]	E [mm]
DT 100 - EXC	3 PZ.	SCD100195	104	78	200	150	-

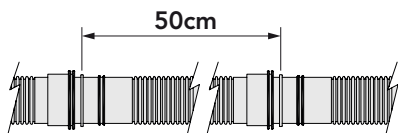
GREY CONDENSATE DRAIN PIPE Ø 18 SINGLE LAYER SLEEVES Ø 16/18



TUYAU DE DRAINAGE DU CONDENSAT GRIS Ø 18 AVEC UNE EXTRUSION MANCHONS Ø 16/18



KONDENSATABLAUFROHR GRAU Ø 18 EINZELBESCHICHTUNG MUFFEN Ø 16/18



CODE	LENGTH
SCD3E0010	50 m



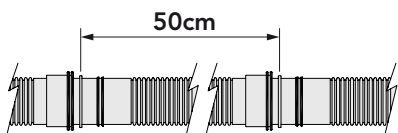
GREY CONDENSATE DRAIN PIPE Ø 20 SINGLE LAYER SLEEVES Ø 18/20



TUYAU DE DRAINAGE DU CONDENSAT GRIS Ø 20 AVEC UNE EXTRUSION MANCHONS Ø 18/20



KONDENSATABLAUFROHR GRAU Ø 20 EINZELBESCHICHTUNG MUFFEN Ø 18/20



CODE	LENGTH
SCD3E0011	50 m



CLEANING BRUSH FOR SIPHONS AND CONDENSATE DRAIN PIPES



BROSSE DE NETTOYAGE POUR SIPHONS À SEC ET TUYEAUX DE DRAINAGE DU CONDENSAT



REINIGUNGSBÜRSTE FÜR TROCKENSIPHONEN UND KONDENSATABLAUFROHR



CODE
SCC300024

EXTERNAL SILICONE ANTIFREEZE HEATING CABLE WITH BUILT-IN THERMAL SENSOR AND SHUKO PLUG 3 / 6 / 9 M



CÂBLE DE CHAUFFAGE EXTÉRIEUR ANTIGEL EN SILICONE AVEC CAPTEUR THERMIQUE INTÉGRÉ ET PRISE ÉLECTRIQUE SHUKO 3 / 6 / 9 M



HEIZKABEL FÜR AUSSENBEREICH FÜR FROSTSCHUTZ AUS SILIKON MIT EINGEBAUTEM WÄRMESENSOR UND SCHUKO STECKER 3 / 6 / 9 M



CODE	DESCRIPTION
SCC300017	SILICONE ANTIFREEZE HEATING CABLE 15 W/m WITH BUILT-IN THERMAL SENSOR AND SHUKO PLUG - CLASS 1 - 3M
SCC300018	SILICONE ANTIFREEZE HEATING CABLE 15 W/m WITH BUILT-IN THERMAL SENSOR AND SHUKO PLUG - CLASS 1 - 6M
SCC300019	SILICONE ANTIFREEZE HEATING CABLE 15 W/m WITH BUILT-IN THERMAL SENSOR AND SHUKO PLUG - CLASS 1 - 9M
SCC300020	SILICONE ANTIFREEZE HEATING CABLE 20 W/m WITH BUILT-IN THERMAL SENSOR AND SHUKO PLUG - CLASS 1 - 3M
SCC300021	SILICONE ANTIFREEZE HEATING CABLE 20 W/m WITH BUILT-IN THERMAL SENSOR AND SHUKO PLUG - CLASS 1 - 6M
SCC300022	SILICONE ANTIFREEZE HEATING CABLE 20 W/m WITH BUILT-IN THERMAL SENSOR AND SHUKO PLUG - CLASS 1 - 9M

RAFFAELLO SR

MADE IN ITALY

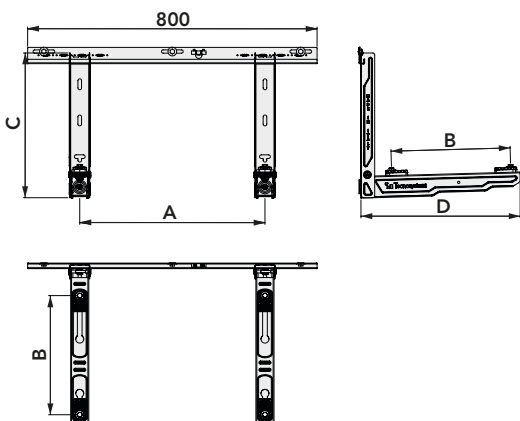
WALL BRACKET WITH GRADUATED BAR



SUPPORT AVEC BARRE GRADUÉE



WANDKONSOLE MIT GRADUIERTER STANGE



Sliding side hook

CODE	DIMENSIONS				WEIGHT CAPACITY
	A [mm]	B [mm]	C [mm]	D [mm]	[kg]
SCD500281	350/750	180/330	400	440	110
SCD500282	350/750	230/390	400	500	130
SCD500283	350/750	270/450	400	560	130
SCD500284	350/750	340/540	400	650	130

GALILEO MGL START

MADE IN ITALY

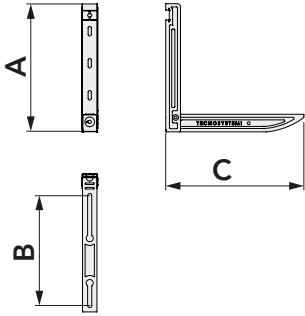
BRACKET WITHOUT VIBRATION DAMPERS



SUPPORT MURAL SANS PLOTS ANTI-VIBRATIONS



KONSOLE OHNE SCHWINGUNGSDÄMPFER



CODE	DIMENSIONS			WEIGHT CAPACITY
	A [mm]	B [mm]	C [mm]	[kg]
SCD500249	400	180/340	430	100
SCD500250	400	180/385	475	140

LEONIDA ML

MADE IN ITALY

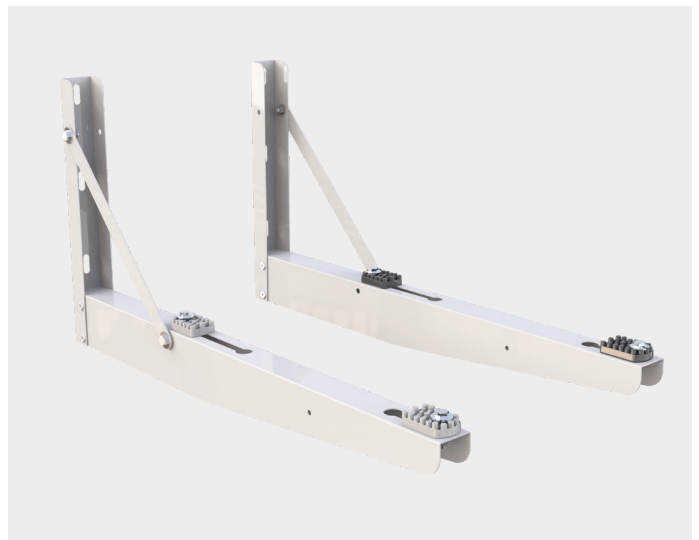
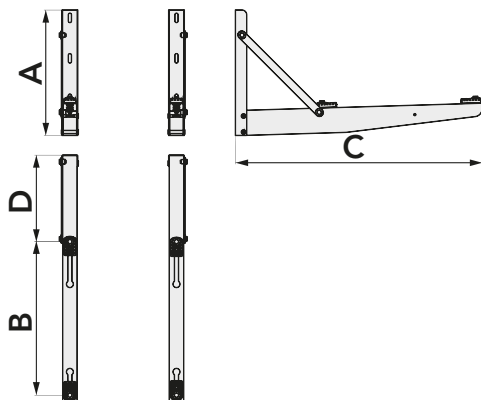
BRACKET



SUPPORT MURAL



KONSOLE



CODE	DIMENSIONS				WEIGHT CAPACITY
	A [mm]	B [mm]	C [mm]	D [mm]	[kg]
SCD500210	400	300/490	785	275/400	150
SCD500211	400	300/490	785	275/400	185

INFINITY FLOOR STAND WITH BLUE RIVER
DRAIN PAN AND SUELO MAXI 450 - 600 SUPPORT 

SUPPORT AU SOL INFINITY AVEC BAC
DE COLLECTE BLUE RIVER ET
SUPPORT SUELO MAXI 450 - 600 

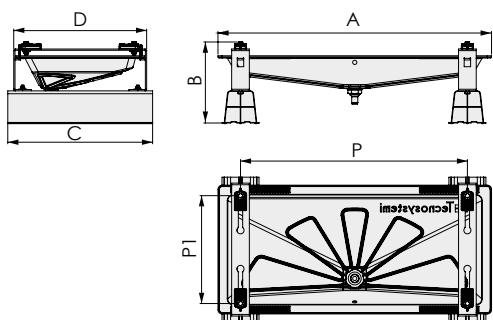
BODENWANDKONSOLE INFINITY MIT WANNE
BLUE RIVER UND WANDKONSOLE
SUELO MAXI 450 - 600 

 MADE IN ITALY

Blue
river 



New measure 1200x550

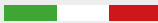


CODE	DIMENSIONS						WEIGHT CAPACITY [kg]
	A [mm]	B [mm]	C [mm]	D [mm]	P [mm]	P1 [mm]	
INFINITY							
SCD500257	1250	250	600	520	1100/600	450/250	190
INFINITY with heating cable 3 m							
SCD500258	1250	250	600	520	1100/600	450/250	190
INFINITY with heating cable 3 m + 3 m (6 m)							
SCD500259	1250	250	600	520	1100/600	450/250	190

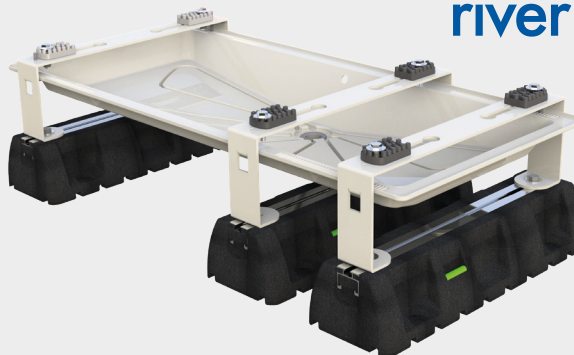
INFINITY FLOOR STAND WITH BLUE RIVER
DRAIN PAN AND 3 EXTREME 100-8 BASES 

SUPPORT AU SOL INFINITY AVEC BAC DE
COLLECTE BLUE RIVER ET 3 BASES EXTRÊME 100-8 

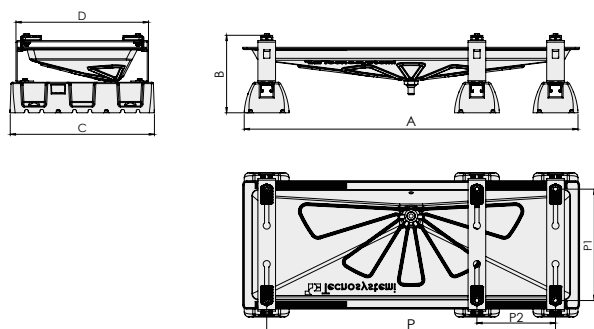
BODENWANDKONSOLE INFINITY MIT WANNE
BLUE RIVER UND 3 SOCKEL EXTREME 100-8 

 MADE IN ITALY

Blue
river 



New measure 1200x550



CODE	DIMENSIONS							WEIGHT CAPACITY [kg]
	A [mm]	B [mm]	C [mm]	D [mm]	P [mm]	P1 [mm]	P2 [mm]	
SCD500330	1250	240	600	520	1100/600	450/250	140/400	200

SPK 100/200/300

SBR VULCANISED RUBBER FLOOR STAND



SUPPORT AU SOL EN CAOUTCHOUC
VULCANISÉ SBR



BODENSCHWINGUNGSDAEMPFER AUS
VULKANISIERTEM GUMMI SBR

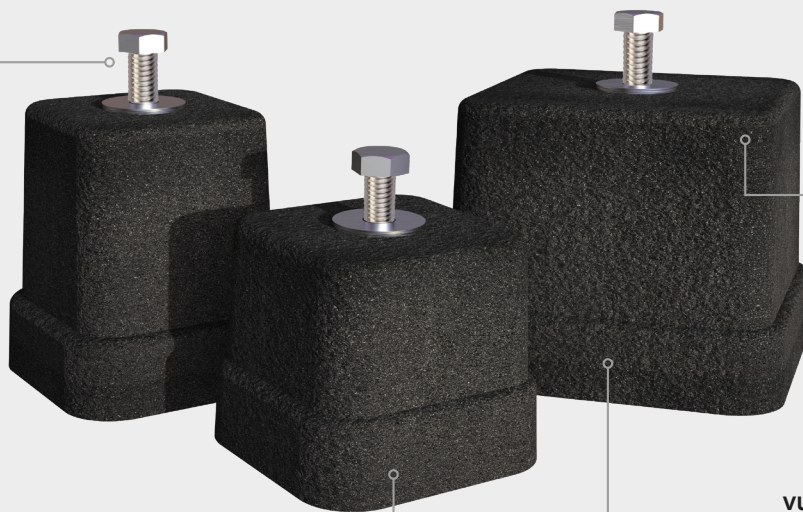


CODE	A [mm]	B [mm]	C [mm]	MAX. CAPACITY
SCD500269	70	70	60	100 kg/1PC.
SCD500270	80	80	80	150 kg/1PC.
SCD500271	100	100	80	200 kg/1PC.

 MADE IN ITALY

Naturally Resistant!

M8 screw



Highly resistant



Made of SBR
vulcanised recycled rubber

3 models,
100 - 150 - 200 kg

ZEUS

M8 fastening screw

Hole for adjustment key

Non-slip knurling adjustment

2 x slots for spirit level built-
in installation box

Made of vulcanised
SBR rubber



ZEUS

MADE IN ITALY

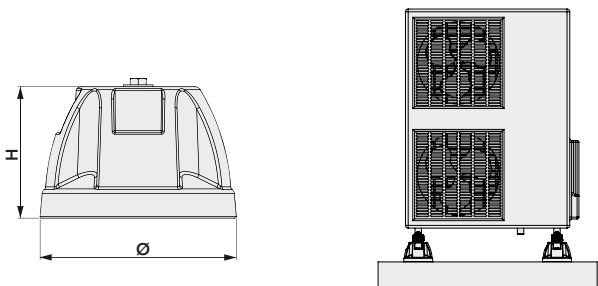
VIBRATION-DAMPING FOOT IN SBR
VULCANISED RUBBER



AMORTISSEUR DE VIBRATIONS EN
CAOUTCHOUC VULCANISÉ SBR



VIBRATIONSDÄMPFENDER AUS
VULKANISIERTEM GUMMI SBR



ZEUS



Available from March 2024

CODE	DIMENSIONS		WEIGHT CAPACITY
	H [mm]	Ø [mm]	[kg]
SCD500277	107	160	500

ZEUS R

MADE IN ITALY

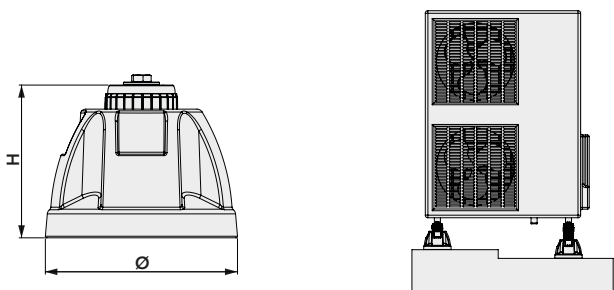
ADJUSTABLE VIBRATION-DAMPING FOOT
IN SBR VULCANISED RUBBER



AMORTISSEUR DE VIBRATIONS RÉGLABLE
EN CAOUTCHOUC VULCANISÉ SBR



VERSTELLBARER VIBRATIONSDÄMPFENDER
AUS VULKANISIRTER GUMMI SBR



ZEUS R



Available from March 2024

CODE	DIMENSIONS		WEIGHT CAPACITY
	H [mm]	Ø [mm]	[kg]
SCD500278	130 / 150	160	500

ZEUS HIGH ARTICULATED

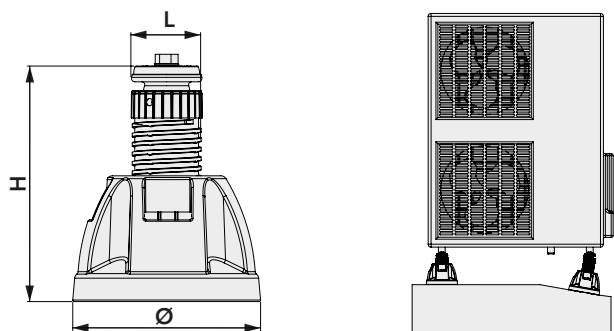
VIBRATION-DAMPING FOOT IN SBR
VULCANISED RUBBER



AMORTISSEUR DE VIBRATIONS EN
CAOUTCHOUC VULCANISÉ SBR



VIBRATIONSDÄMPFENDER AUS
VULKANISIERTEM GUMMI SBR



ZEUS HIGH ARTICULATED



SHORT MODEL

LONG MODEL

Available from March 2024

CODE	MOD.	DIMENSIONS			WEIGHT CAPACITY
		H [mm]	L [mm]	Ø [mm]	[kg]
SCD500279	SHORT	150 / 205	60	160	500
SCD500280	LONG	200 / 255	60	160	500

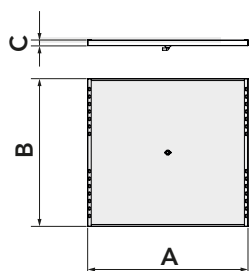
TRAY FOR ADJUSTABLE SUPPORT SYSTEMS
FOR HERCULES MODULAR AND GENIUS MODULAR
(WITH HEATING ANTIFREEZE CABLE)



BAC POUR SYSTÈMES DE SUPPORT RÉGLABLES
HERCULES MODULAR ET GENIUS MODULAR
(AVEC CÂBLE DE CHAUFFAGE ANTIGEL)



WANNE FÜR DIE VERSTELLBAREN
HALTERUNGSSYSTEME FÜR HERCULES MODULAR
UND GENIUS MODULAR (UND HEIZKABEL)



MADE IN ITALY



CODE	DIMENSIONS		
	A [mm]	B [mm]	C [mm]
SCD500247	1075	990	38

FOAMED PVC PIPE INSULATION TAPE



BANDE ISOLANT COUVRE-TUYAUX
EN PVC EXPANSÉ



ISOLIERBAND AUS PVC-SCHAUM FÜR ROHRE



Available from March 2024



CODE	WIDTH [mm]	LENGTH [mm]
SCC600077	210	2000
SCC600078	210	25000

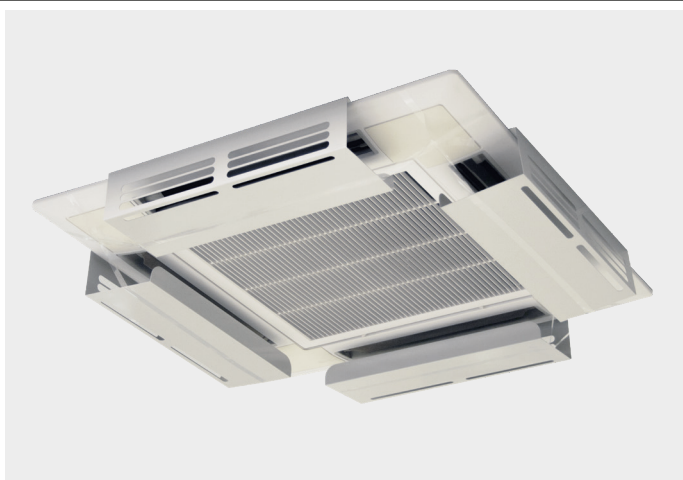
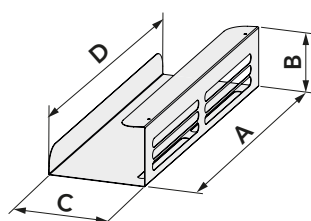
DEFLECTOR KIT FOR
BOX CONDITIONERS



KIT DÉFLECTEUR POUR CLIMATISEURS
À TIROIR



DEFLEKTOR/ LÜFTUNGSBLLENDE FÜR
KASSETTENKLIMAAANLAGEN



CODE	DIMENSIONS			
	A [mm]	B [mm]	C [mm]	D [mm]
SCD600020	530	105	170	200

TS COVER BOX

MADE IN ITALY

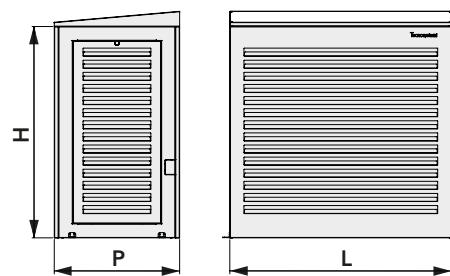
FREESTANDING CAGE FOR OUTDOOR UNIT WITH 5° TILTED ROOF



CACHE CLIM AVEC 4 CÔTÉS POUR LES UNITÉS EXTÉRIEURES AVEC TOIT INCLINÉ 5°



SCHUTZABDECKUNG FÜR AUSSENGERÄT MIT SCHRÄGDACH 5°



CODE	COLOUR	L [mm]	H [mm]	P [mm]
SCD500275	RAL 9002 AVORY	1100	1050	600
SCD500276	RAL 7016 MATT GRAY	1100	1050	600

TUBO RAME

MADE IN ITALY

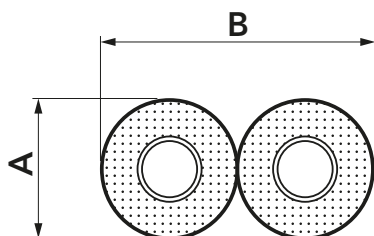
COUPLED INSULATED COPPER PIPE



TUBE EN CUIVRE ISOLÉ ACCOUPLÉ



VORISOLIERTES KUPFERROHR DOPPEL



CODE	DESCRIPTION	MILLIMETERS	COPPER THICKNESS [mm]	SHEATH THICKNESS [mm]	A x B OVERALL [mm]	PACK OF	NO. COILS PER PALLET
SCD600021	CU 1/4 - 3/8	6,35 - 9,52	1,0 - 1,0	10	27 x 53	1 ROT. - 50 m	-
SCD600022	CU 1/4 - 1/2	6,35 - 12,7	1,0 - 1,0	10	31 x 56	1 ROT. - 50 m	-

TANGENTIAL AIR CURTAIN WITH PTC HEATING ELEMENT WITH UPPER EXTRACTION



BARRIÈRE D'AIR TANGENTIELLE AVEC RÉSISTANCE ÉLECTRIQUE PTC À ASPIRATION SUPÉRIEURE



TANGENTIALER LUFTSCHLEIER MIT ELEKTRISCHEM PTC-WIDERSTAND MIT OBERER ABSAUGUNG



ARIA4
INNOVATION



Available from April 2024

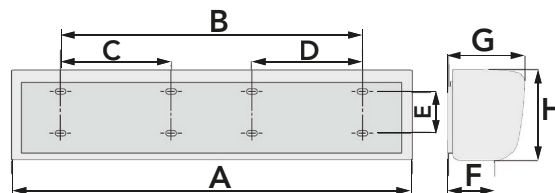
Accessories supplied



Tangential
Motor



Remote
control



MOD.	CODE	SUPPL. VOLT. [V]	FREQ. [Hz]	INPUT POWER [W]		AIR FLOW RATE [m³/h]		AIR SPEED AT INLET [m/s]		POWER [kW]			SOUND POWER LEVEL [dB(A)]		WEIGHT [kg]	SUITABLE FOR DOORS [mm]
				min.	max.	min.	max.	min.	max.	min.	med.	max.	min.	max.		
1200	AAD200001	380	50	330	380	1950	2400	9	11	3.5	7	10	60	62	19	L.1200 H.3500
1500	AAD200002	380	50	400	490	2550	3150	9	11	4	8	12	61	63	22.5	L.1500 H.3500
2000	AAD200003	380	50	440	560	2900	3540	9	11	5	10	16	63	65	31	L.2000 H.3500

CODE	DESCRIPTION
AAD200001	"ARIA 4 INNOVATION" THREE-PHASE AIR CURTAIN WITH PTC 1200 HEATING ELEMENT
AAD200002	"ARIA 4 INNOVATION" THREE-PHASE AIR CURTAIN WITH PTC 1500 HEATING ELEMENT
AAD200003	"ARIA 4 INNOVATION" THREE-PHASE AIR CURTAIN WITH PTC 2000 HEATING ELEMENT

PICO

BUILT-IN STATIC INTAKE/EXTRACTOR FAN WITH CERAMIC HEAT EXCHANGER



ASPIRATEUR, EXTRACTEUR STATIQUE AVEC RÉCUPÉRATEUR DE CHALEUR PONCTUEL MURAL



STATISCHER ABSAUGER - ABZIEHER MIT WÄRMERÜCKGEWINNUNG " FÜR WANDMONTAGE



PICO
basic

PICO
pro

PICO
pro+

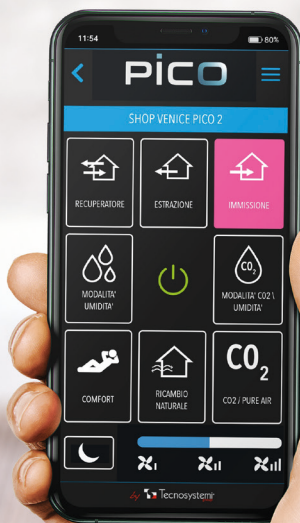


*New application
New functionalities*



Tecnosystemi

FREE APP
AVAILABLE ON:



PICO BASIC

BUILT-IN STATIC INTAKE/EXTRACTOR FAN WITH CERAMIC HEAT EXCHANGER



ASPIRATEUR, EXTRACTEUR STATIQUE AVEC RÉCUPÉRATEUR DE CHALEUR PONCTUEL MURAL



STATISCHER ABSAUGER - ABZIEHER MIT WÄRMERÜCKGEWINNUNG " FÜR WANDMONTAGE



A



Tecnosystemi

**FREE APP
AVAILABLE ON:**

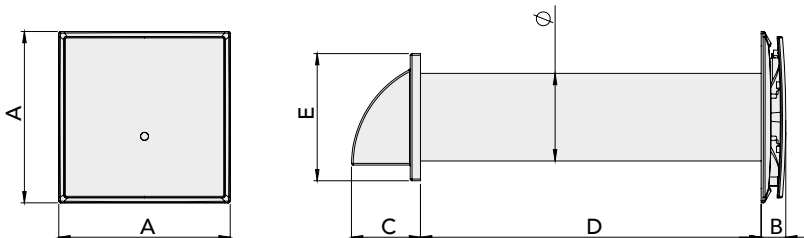



Virtual reality



Available from April 2024

PICO
basic



DIMENSIONS AND MODELS	CODE	A	B	C	D	E	Ø
		[mm]	[mm]	[mm]	[mm]	[mm]	[mm]
PICO BASIC 30	ACD100060	250	35	86	500	154	103
PICO BASIC 45	ACD100061	250	35	101	500	186	128
PICO BASIC 60	ACD100062	250	35	101	500	186	153

PICO PRO

BUILT-IN STATIC INTAKE/EXTRACTOR FAN WITH CERAMIC HEAT EXCHANGER



ASPIRATEUR, EXTRACTEUR STATIQUE AVEC RÉCUPÉRATEUR DE CHALEUR PONCTUEL MURAL



STATISCHER ABSAUGER - ABZIEHER MIT WÄRMERÜCKGEWINNUNG " FÜR WANDMONTAGE



A

Tecnosystemi

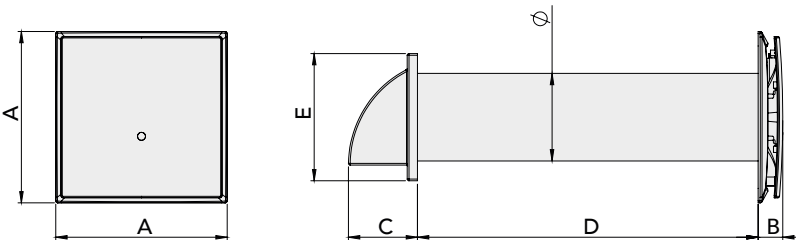
FREE APP
AVAILABLE ON:

Available from April 2024

Remote control supplied

Virtual reality

PICO
pro



DIMENSIONS AND MODELS	CODE	A	B	C	D	E	Ø
		[mm]	[mm]	[mm]	[mm]	[mm]	[mm]
PICO PRO 30	ACD100056	250	35	86	500	154	103
PICO PRO 45	ACD100057	250	35	101	500	186	128
PICO PRO 60	ACD100058	250	35	101	500	186	153

PICO PRO +

BUILT-IN STATIC INTAKE/EXTRACTOR FAN WITH CERAMIC HEAT EXCHANGER



ASPIRATEUR, EXTRACTEUR STATIQUE AVEC RÉCUPÉRATEUR DE CHALEUR PONCTUEL MURAL



STATISCHER ABSAUGER - ABZIEHER MIT WÄRMERÜCKGEWINNUNG " FÜR WANDMONTAGE



A

Tecnosystemi

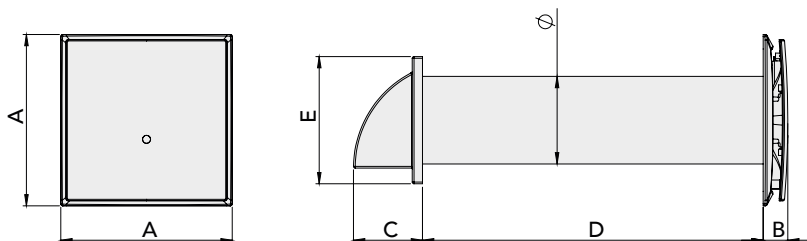
FREE APP
AVAILABLE ON:

Available from April 2024

Remote control supplied

Virtual reality

PICO
pro+



DIMENSIONS AND MODELS	CODE	A	B	C	D	E	Ø
		[mm]	[mm]	[mm]	[mm]	[mm]	[mm]
PICO PRO + 30	ACD100052	250	35	86	500	154	103
PICO PRO+ 45	ACD100053	250	35	101	500	186	128
PICO PRO+ 60	ACD100054	250	35	101	500	186	153

SILENCE AIR PLUS

WALL-MOUNTED RESIDENTIAL HEAT RECOVERY UNIT WITH POSSIBILITY FOR BMS INTEGRATION



RÉCUPÉRATEUR DE CHALEUR RÉSIDENTIEL MURAL POUVANT ÊTRE INTÉGRÉ DANS LES SYSTÈMES BMS

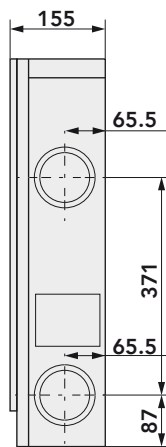
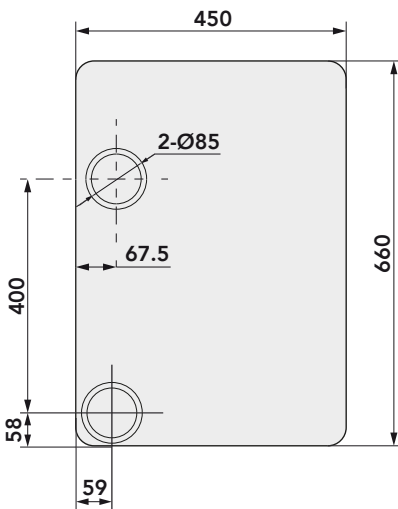


WÄRMERÜCKGEWINNER FÜR WOHNUNGEN FÜR WANDMONTAGE, IN BMS-SYSTEME INTEGRIERBAR



Remote management via App
for Smartphone - Tablet - Smart Watch

Available from April 2024



A



Can be integrated with
BMS SYSTEMS
(building automation)



CODE	DESCRIPTION
ACC300009	"SILENCE AIR PLUS" WALL-MOUNTED RESIDENTIAL HEAT RECOVERY UNIT WITH POSSIBILITY FOR BMS INTEGRATION

HI-TECH PUR 4.0

ENTHALPY HEAT RECOVERY UNIT FOR CEILING DUCTING



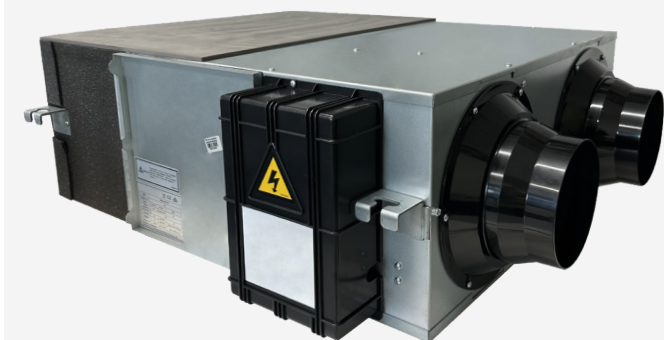
RÉCUPÉRATEUR DE CHALEUR ENTHALPIQUE CANALISABLE



ENTHALPISCHE WÄRMERÜCKGEWINNUNGSEINHEIT FÜR ZWISCHENDECKE KANALISIERBAR



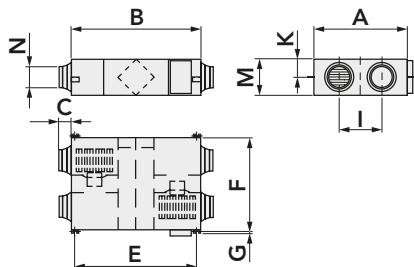
Hi-Tech
pur 4.0



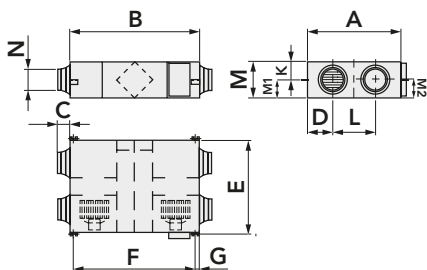
Can be integrated with
BMS SYSTEMS
(building automation)



Digital
Remote Control



MOD.	DIMENSIONS [mm]									
	A	B	C	E	F	G	I	K	M	N
ACD300002	599	814	100	745	657	19	315	111	270	Ø 144



MOD.	DIMENSIONS [mm]												
	A	B	C	D	E	F	G	L	K	M	M1	M2	N
ACD300003	902	867	107	197	833.5	922	20.5	451.5	115.5	280	193.5	-	Ø 194
ACD300004	1134	1134	85	202	1068	1189	20.5	628	128	388	194	-	Ø 242
ACD300005	1243	1193	85	241	1173	1248	20.5	629.5	133	388	191	241	Ø 242
ACD300006	1243	1193	85	241	1173	1248	20.5	629.5	133	388	191	241	Ø 242

CODE	DESCRIPTION
ACD300002	HI-TECH PUR 4.0 ENTHALPY HEAT RECOVERY UNIT 250m3/h
ACD300003	HI-TECH PUR 4.0 ENTHALPY HEAT RECOVERY UNIT 500m3/h
ACD300004	HI-TECH PUR 4.0 ENTHALPY HEAT RECOVERY UNIT 800m3/h
ACD300005	HI-TECH PUR 4.0 ENTHALPY HEAT RECOVERY UNIT 1000m3/h
ACD300006	HI-TECH PUR 4.0 ENTHALPY HEAT RECOVERY UNIT 1300m3/h

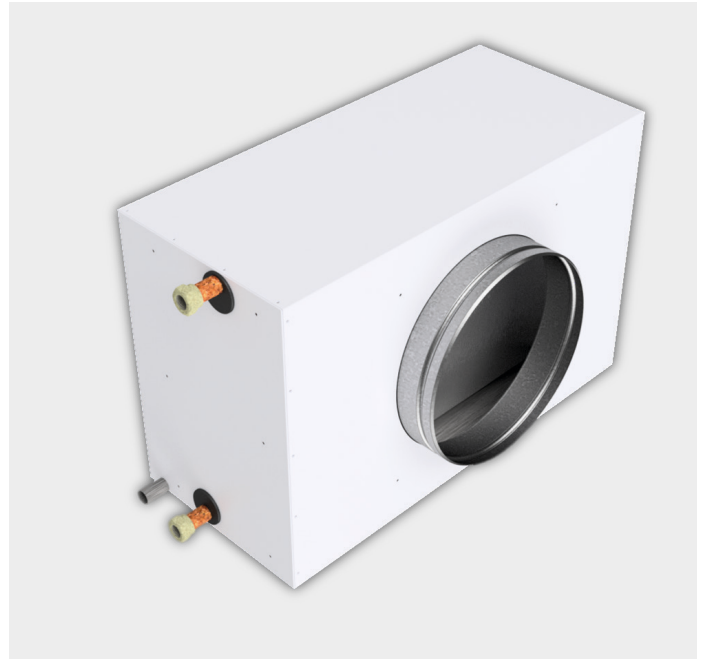
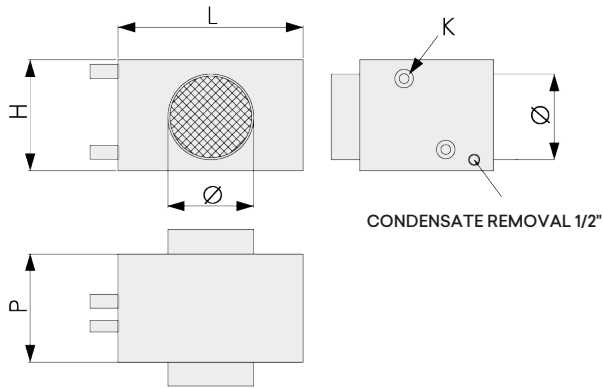
HOT/COLD WATER DUCT COILS



BATTERIE DE CANAL À EAU CHAUDE/FROIDE



KANALBATTERIEN MIT WARM-/KALTWASSER



CODE	AIR FLOW RATE		Heating		Cooling		Heating	Cooling	Heating		Cooling	
			Water inlet T°	Water outlet T°	Water inlet T°	Water outlet T°	Total Power	Total Power	Water flow rate	Water flow rate	Water flow rate	Water flow rate
			°C	°C	°C	°C	kW	kW	l/h	m/s	l/h	m/s
ACC400017	150	1.20	50	45	7	12	1.0	1.1	181	1.00	183	1.00
ACC400018	220	1.00	50	45	7	12	1.6	1.6	279	0.80	272	0.80
ACC400019	350	1.60	50	45	7	12	2.2	2.2	389	1.10	380	1.00
ACC400020	500	1.60	50	45	7	12	3.2	3.1	549	1.00	523	1.00
ACC400021	800	1.40	50	45	7	12	5.7	5.7	985	1.00	981	1.00
ACC400022	1200	1.45	50	45	7	12	10.0	7.8	1728	1.25	1334	0.96
ACC400023	1600	1.61	50	45	7	12	12.9	9.7	2234	1.08	1664	0.80
ACC400024	2200	2.22	50	45	7	12	18.7	15.1	3241	1.17	2601	0.94
ACC400025	3200	2.21	50	45	7	12	27.4	22.5	4747	1.37	3863	1.12
ACC400026	4000	2.14	50	45	7	12	34.5	28.7	5988	1.44	4929	1.19

CODE	DESCRIPTION	L [mm]	H [mm]	P [mm]	Ø [mm]	K [mm]
ACC400017	HOT/COLD WATER COIL, 150m³/h and 1Kw	310	200	300	125	1/2"
ACC400018	HOT/COLD WATER COIL, 220m³/h and 1,6Kw	360	270	300	160	1/2"
ACC400019	HOT/COLD WATER COIL, 350m³/h and 2,2Kw	360	270	300	160	1/2"
ACC400020	HOT/COLD WATER COIL, 500m³/h and 3,2Kw	460	270	300	200	1/2"
ACC400021	HOT/COLD WATER COIL, 800m³/h and 5,7Kw	650	330	300	250	1/2"
ACC400022	HOT/COLD WATER COIL, 1200m³/h and 7,8Kw	785	430	350	315	3/4"
ACC400023	HOT/COLD WATER COIL, 1600m³/h and 9,7Kw	780	520	350	315	3/4"
ACC400024	HOT/COLD WATER COIL, 2200m³/h and 15Kw	780	520	400	355	3/4"
ACC400025	HOT/COLD WATER COIL, 3200m³/h and 22Kw	895	660	450	400	1"
ACC400026	HOT/COLD WATER COIL, 4000m³/h and 29Kw	1000	740	450	400	1"

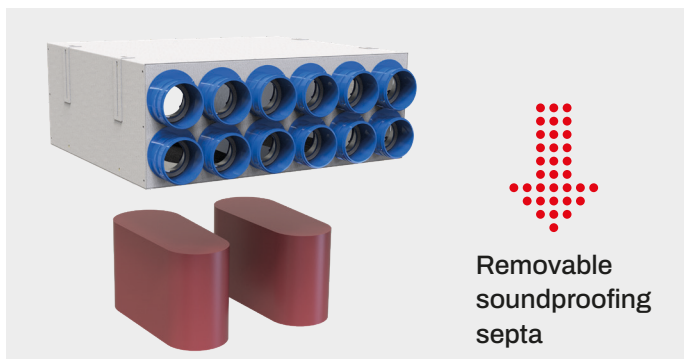
GALVANISED SHEET METAL SOUNDPROOFED
PLENUM 4 - 6 - 8 - 10 - 12 OUTPUTS Ø 75 WITH
BLUE CONNECTORS



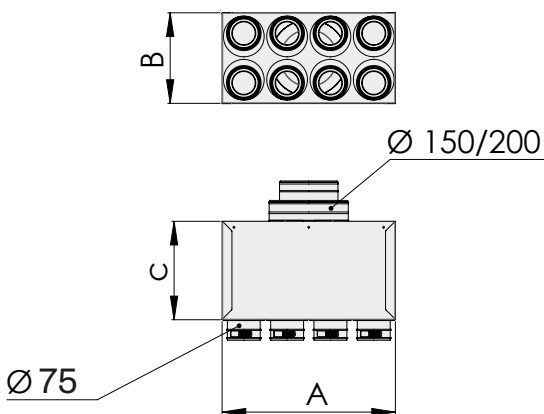
PLENUM INSONORISE EN TÔLE ZINGUÉE
4 - 6 - 8 - 10 - 12 SORTIES Ø 75 AVEC
CONNECTEURS BLEUS



SCHALLGEDÄMMTES PLENUM AUS
VERZINKTEM BLECH 4 - 6 - 8 - 10 - 12
AUSGÄNGE Ø 75 MIT BLAUEN MANCHETTE



Removable
soundproofing
septa



CODE	A	B	C
	[mm]	[mm]	[mm]
ACD600093	360	240	500
ACD600094	360	240	500
ACD600095	660	240	500
ACD600096	660	240	500
ACD600097	660	240	500
ACD600098	360	240	500
ACD600099	360	240	500

CODE	DESCRIPTION	ENTRANCE
		[mm]
ACD600093	GALVANISED SHEET METAL SOUNDPROOFED PLENUM Ø75 - 4 OUTPUTS INPUT 150/200	Ø150/200
ACD600094	GALVANISED SHEET METAL SOUNDPROOFED PLENUM Ø75 - 6 OUTPUTS INPUT 150/200	Ø150/200
ACD600095	GALVANISED SHEET METAL SOUNDPROOFED PLENUM Ø75 - 8 OUTPUTS INPUT 150/200	Ø150/200
ACD600096	GALVANISED SHEET METAL SOUNDPROOFED PLENUM Ø75 - 10 OUTPUTS INPUT 150/200	Ø150/200
ACD600097	GALVANISED SHEET METAL SOUNDPROOFED PLENUM Ø75 - 12 OUTPUTS INPUT 150/200	Ø150/200
ACD600098	GALVANISED SHEET METAL SOUNDPROOFED PLENUM Ø75 - 4 OUTPUTS INPUT 100 / 125 / 150	Ø100/125/150
ACD600099	GALVANISED SHEET METAL SOUNDPROOFED PLENUM Ø75 - 6 OUTPUTS INPUT 100 / 125 / 150	Ø100/125/150

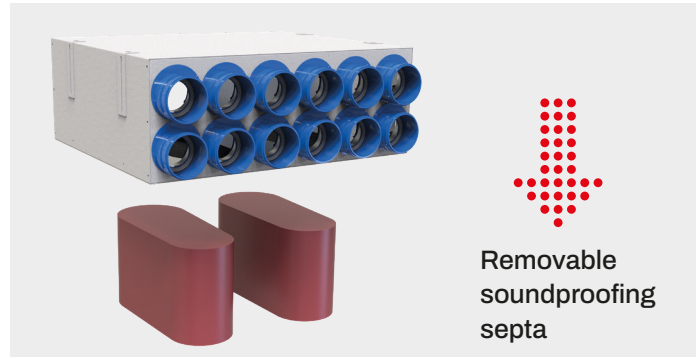
GALVANISED SHEET METAL SOUNDPROOFED
PLENUM 4 - 6 - 8 - 10 - 12 OUTPUTS Ø 90 WITH
BLUE CONNECTORS



PLENUM INSONORISE EN TÔLE ZINGUÉE
4 - 6 - 8 - 10 - 12 SORTIES Ø 90 AVEC
CONNECTEURS BLEUS



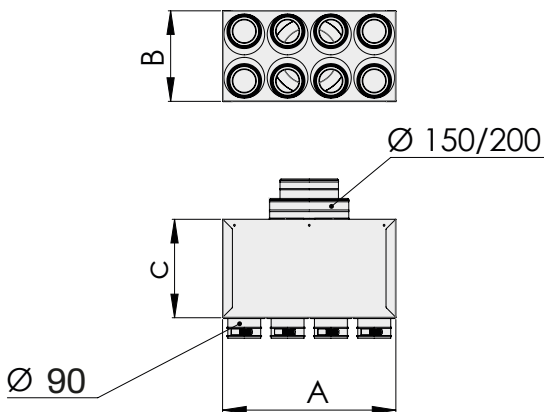
SCHALLGEDÄMMTES PLENUM AUS
VERZINKTEM BLECH 4 - 6 - 8 - 10 - 12 AUSGÄNGE
Ø 90 MIT BLAUEN MANCHETTE



Removable
soundproofing
septa



MADE IN ITALY



CODE	A	B	C
	[mm]	[mm]	[mm]
ACD600100	360	240	500
ACD600101	360	240	500
ACD600102	660	240	500
ACD600103	660	240	500
ACD600104	660	240	500
ACD600105	360	240	500
ACD600106	360	240	500

CODE	DESCRIPTION	ENTRANCE
		[mm]
ACD600100	GALVANISED SHEET METAL SOUNDPROOFED PLENUM Ø90 - 4 OUTPUTS INPUT 150/200	Ø150/200
ACD600101	GALVANISED SHEET METAL SOUNDPROOFED PLENUM Ø90 - 6 OUTPUTS INPUT 150/200	Ø150/200
ACD600102	GALVANISED SHEET METAL SOUNDPROOFED PLENUM Ø90 - 8 OUTPUTS INPUT 150/200	Ø150/200
ACD600103	GALVANISED SHEET METAL SOUNDPROOFED PLENUM Ø90 - 10 OUTPUTS INPUT 150/200	Ø150/200
ACD600104	GALVANISED SHEET METAL SOUNDPROOFED PLENUM Ø90 - 12 OUTPUTS INPUT 150/200	Ø150/200
ACD600105	GALVANISED SHEET METAL SOUNDPROOFED PLENUM Ø90 - 4 OUTPUTS INPUT 100 / 125 / 150	Ø100/125/150
ACD600106	GALVANISED SHEET METAL SOUNDPROOFED PLENUM Ø90 - 6 OUTPUTS INPUT 100 / 125 / 150	Ø100/125/150

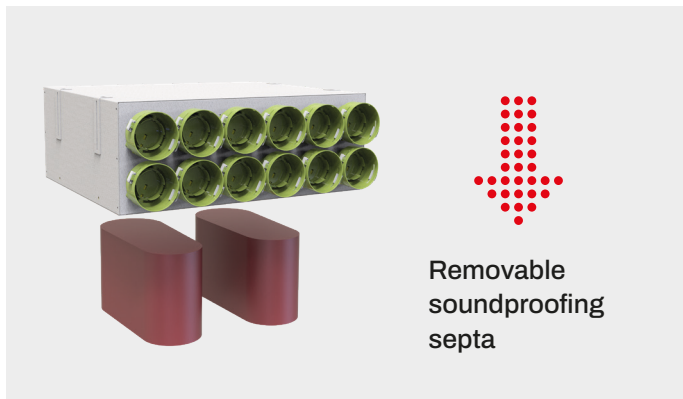
GALVANISED SHEET METAL SOUNDPROOFED
PLENUM 4 - 6 - 8 - 10 - 12 OUTPUTS Ø 75
WITH CONNECTORS COMPLETE WITH
CALIBRATION DAMPER WITH ADJUSTMENT



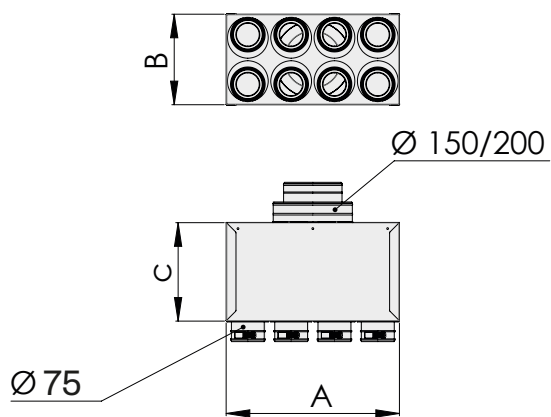
PLENUM INSONORISE EN TÔLE ZINGUÉE
4 - 6 - 8 - 10 - 12 SORTIES Ø 75 AVEC
CONNECTEURS DOTÉS
DE REGISTRE D'ÉTALONNAGE AVEC RÉGLAGE



SCHALLGEDÄMMTES PLENUM AUS VERZINKTEM
BLECH 4 - 6 - 8 - 10 - 12 AUSGÄNGE Ø 75 MIT
MANCHETTE, KOMPLETT
MIT KALIBRIERKLAPPE MIT REGULIERUNG



Removable
soundproofing
septa



CODE	A	B	C
	[mm]	[mm]	[mm]
ACD600121	360	240	500
ACD600122	360	240	500
ACD600123	660	240	500
ACD600124	660	240	500
ACD600125	660	240	500
ACD600126	360	240	500
ACD600127	360	240	500

CODE	DESCRIPTION	ENTRANCE
		[mm]
ACD600121	GALVANISED SHEET METAL SOUNDPROOFED PLENUM Ø75 - 4 OUTPUTS INPUT 150/200	Ø150/200
ACD600122	GALVANISED SHEET METAL SOUNDPROOFED PLENUM Ø75 - 6 OUTPUTS INPUT 150/200	Ø150/200
ACD600123	GALVANISED SHEET METAL SOUNDPROOFED PLENUM Ø75 - 8 OUTPUTS INPUT 150/200	Ø150/200
ACD600124	GALVANISED SHEET METAL SOUNDPROOFED PLENUM Ø75 - 10 OUTPUTS INPUT 150/200	Ø150/200
ACD600125	GALVANISED SHEET METAL SOUNDPROOFED PLENUM Ø75 - 12 OUTPUTS INPUT 150/200	Ø150/200
ACD600126	GALVANISED SHEET METAL SOUNDPROOFED PLENUM Ø75 - 4 OUTPUTS INPUT 100 / 125 / 150	Ø100/125/150
ACD600127	GALVANISED SHEET METAL SOUNDPROOFED PLENUM Ø75 - 6 OUTPUTS INPUT 100 / 125 / 150	Ø100/125/150

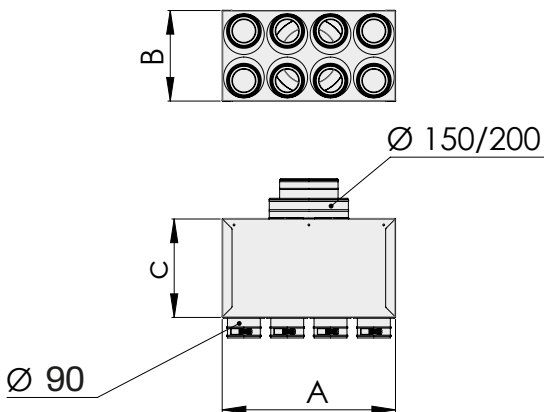
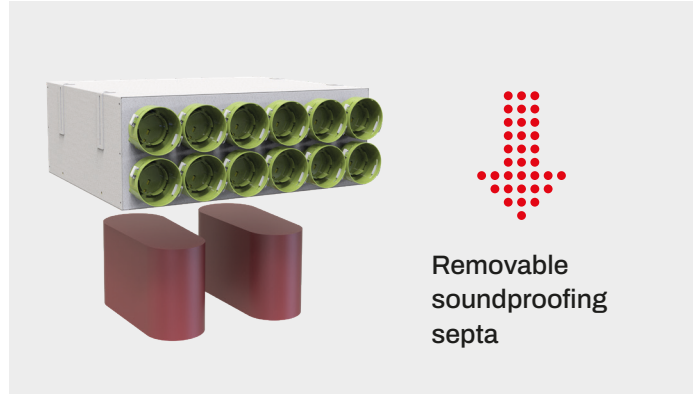
GALVANISED SHEET METAL SOUNDPROOFED
PLENUM 4 - 6 - 8 - 10 - 12 OUTPUTS Ø 90
WITH CONNECTORS COMPLETE WITH
CALIBRATION DAMPER WITH ADJUSTMENT



PLENUM INSONORISE EN TÔLE ZINGUÉE
4 - 6 - 8 - 10 - 12 SORTIES Ø 90 AVEC
CONNECTEURS DOTÉS
DE REGISTRE D'ÉTALONNAGE AVEC RÉGLAGE



SCHALLGEDÄMMTES PLENUM AUS VERZINKTEM
BLECH 4 - 6 - 8 - 10 - 12 AUSGÄNGE Ø 90 MIT
MANCHETTE, KOMPLETT
MIT KALIBRIERKLAPPE MIT REGULIERUNG



CODE	A	B	C
	[mm]	[mm]	[mm]
ACD600128	360	240	500
ACD600129	360	240	500
ACD600130	660	240	500
ACD600131	660	240	500
ACD600132	660	240	500
ACD600133	360	240	500
ACD600134	360	240	500

CODE	DESCRIPTION	ENTRANCE
		[mm]
ACD600128	GALVANISED SHEET METAL SOUNDPROOFED PLENUM Ø90 - 4 OUTPUTS INPUT 150/200	Ø150/200
ACD600129	GALVANISED SHEET METAL SOUNDPROOFED PLENUM Ø90 - 6 OUTPUTS INPUT 150/200	Ø150/200
ACD600130	GALVANISED SHEET METAL SOUNDPROOFED PLENUM Ø90 - 8 OUTPUTS INPUT 150/200	Ø150/200
ACD600131	GALVANISED SHEET METAL SOUNDPROOFED PLENUM Ø90 - 10 OUTPUTS INPUT 150/200	Ø150/200
ACD600132	GALVANISED SHEET METAL SOUNDPROOFED PLENUM Ø90 - 12 OUTPUTS INPUT 150/200	Ø150/200
ACD600133	GALVANISED SHEET METAL SOUNDPROOFED PLENUM Ø90 - 4 OUTPUTS INPUT 100 / 125 / 150	Ø100/125/150
ACD600134	GALVANISED SHEET METAL SOUNDPROOFED PLENUM Ø90 - 6 OUTPUTS INPUT 100 / 125 / 150	Ø100/125/150

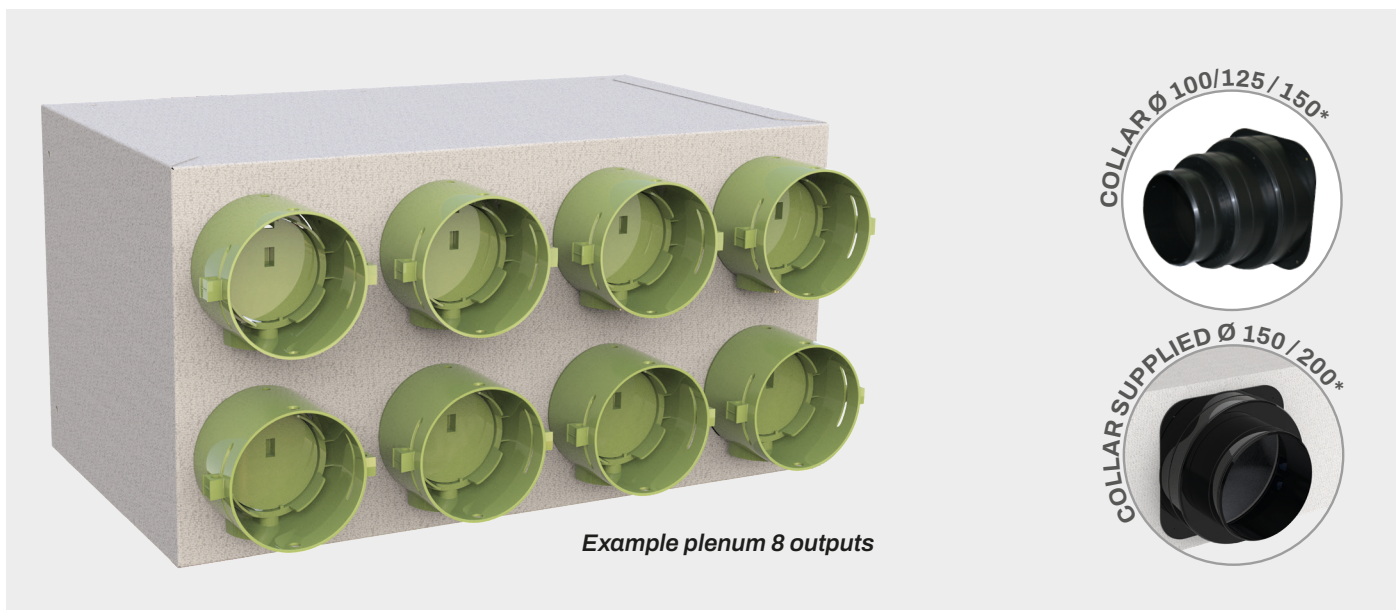
INSULATED DISTRIBUTION PLENUM FOR MCV FOR FLEXIBLE DUCTED HOSE 4 - 6 - 8 - 10 - 12 OUTPUTS
Ø 75 WITH SLEEVES COMPLETE WITH CALIBRATION DAMPER WITH ADJUSTMENT



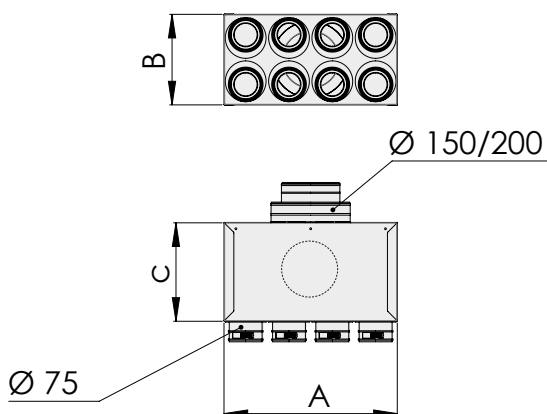
PLENUM ISOLÉ DE DISTRIBUTION POUR VMC POUR TUBE FLEXIBLE 4 - 6 - 8 - 10 - 12 SORTIES
Ø 75 AVEC MANCHONS DOTÉS DE REGISTRE D'ÉTALONNAGE AVEC RÉGLAGE



ISOLIERTES VERTEILER-PLENUM FÜR VMC FÜR KANALISIERTEN SCHLAUCH 4 - 6 - 8 - 10 - 12 AUSGÄNGE
Ø 75 MIT MUFFEN, KOMPLETT MIT KALIBRIERKLAPPE MIT REGULIERUNG



Available from April 2024



CODE	A	B	C
	[mm]	[mm]	[mm]
ACD600107	230	240	250
ACD600108	350	240	250
ACD600109	465	240	250
ACD600110	580	240	250
ACD600111	700	240	250

CODE	DESCRIPTION	ENTRANCE
		[mm]
ACD600107	INSULATED DISTRIBUTION PLENUM FOR CMV FOR FLEXIBLE DUCTED HOSE Ø75 4 OUTPUTS	Ø150/200
ACD600108	INSULATED DISTRIBUTION PLENUM FOR CMV FOR FLEXIBLE DUCTED HOSE Ø75 6 OUTPUTS	Ø150/200
ACD600109	INSULATED DISTRIBUTION PLENUM FOR CMV FOR FLEXIBLE DUCTED HOSE Ø75 8 OUTPUTS	Ø150/200
ACD600110	INSULATED DISTRIBUTION PLENUM FOR CMV FOR FLEXIBLE DUCTED HOSE Ø75 10 OUTPUTS	Ø150/200
ACD600111	INSULATED DISTRIBUTION PLENUM FOR CMV FOR FLEXIBLE DUCTED HOSE Ø75 12 OUTPUTS	Ø150/200
ACD600112	INSULATED DISTRIBUTION PLENUM FOR CMV FOR FLEXIBLE DUCTED HOSE Ø75 4 OUTPUTS	Ø100/125/150
ACD600113	INSULATED DISTRIBUTION PLENUM FOR CMV FOR FLEXIBLE DUCTED HOSE Ø75 6 OUTPUTS	Ø100/125/150

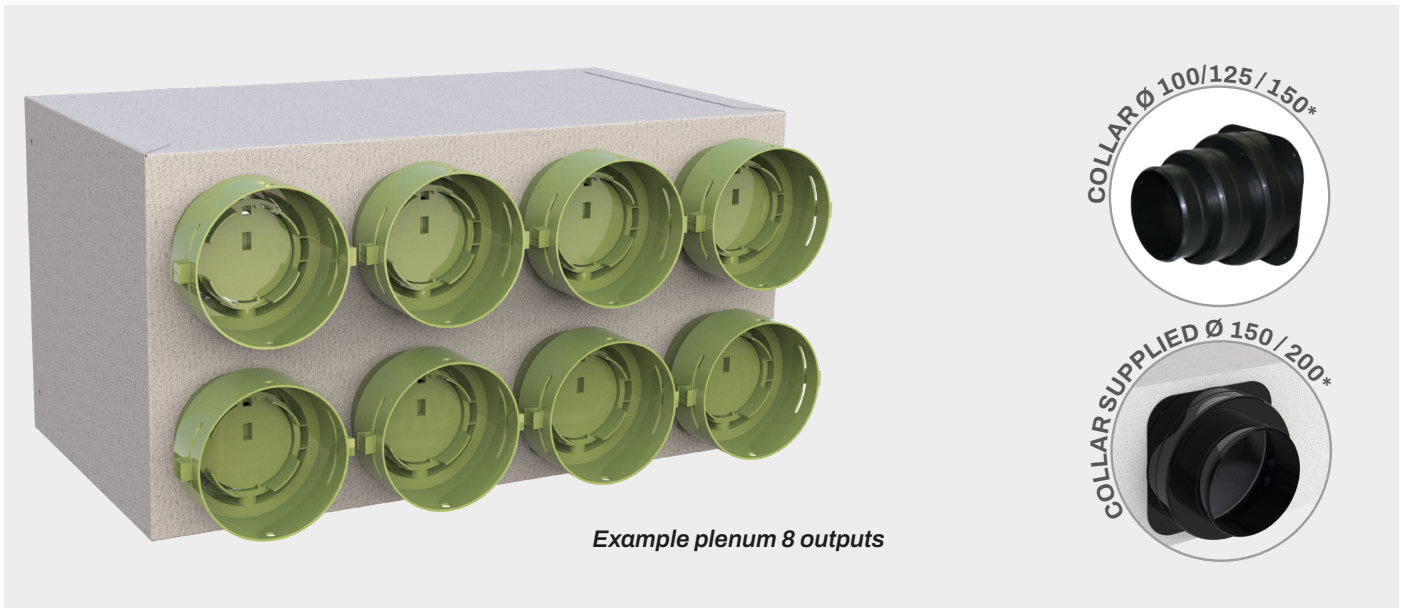
INSULATED DISTRIBUTION PLENUM FOR MCV FOR FLEXIBLE DUCTED HOSE 4 - 6 - 8 - 10 - 12 OUTPUTS
Ø 90 WITH SLEEVES COMPLETE WITH CALIBRATION DAMPER WITH ADJUSTMENT



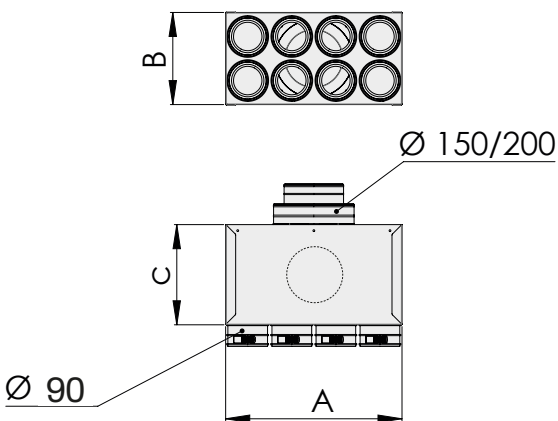
PLENUM ISOLÉ DE DISTRIBUTION POUR VMC POUR TUBE FLEXIBLE 4 - 6 - 8 - 10 - 12 SORTIES
Ø 90 AVEC MANCHONS DOTÉS DE REGISTRE D'ÉTALONNAGE AVEC RÉGLAGE



ISOLIERTES VERTEILER-PLENUM FÜR VMC FÜR KANALISIERTEN SCHLAUCH 4 - 6 - 8 - 10 - 12 AUSGÄNGE
Ø 90 MIT MUFFEN, KOMPLETT MIT KALIBRIERKLAPPE MIT REGULIERUNG



Available from April 2024



CODE	A	B	C
	[mm]	[mm]	[mm]
ACD600114	230	240	250
ACD600115	350	240	250
ACD600116	465	240	250
ACD600117	580	240	250
ACD600118	700	240	250

CODE	DESCRIPTION	ENTRANCE
		[mm]
ACD600114	INSULATED DISTRIBUTION PLENUM FOR CMV FOR FLEXIBLE DUCTED HOSE Ø90 4 OUTPUTS	Ø150/200
ACD600115	INSULATED DISTRIBUTION PLENUM FOR CMV FOR FLEXIBLE DUCTED HOSE Ø90 6 OUTPUTS	Ø150/200
ACD600116	INSULATED DISTRIBUTION PLENUM FOR CMV FOR FLEXIBLE DUCTED HOSE Ø90 8 OUTPUTS	Ø150/200
ACD600117	INSULATED DISTRIBUTION PLENUM FOR CMV FOR FLEXIBLE DUCTED HOSE Ø90 10 OUTPUTS	Ø150/200
ACD600118	INSULATED DISTRIBUTION PLENUM FOR CMV FOR FLEXIBLE DUCTED HOSE Ø90 12 OUTPUTS	Ø150/200
ACD600119	INSULATED DISTRIBUTION PLENUM FOR CMV FOR FLEXIBLE DUCTED HOSE Ø90 4 OUTPUTS	Ø100/125/150
ACD600120	INSULATED DISTRIBUTION PLENUM FOR CMV FOR FLEXIBLE DUCTED HOSE Ø90 6 OUTPUTS	Ø100/125/150

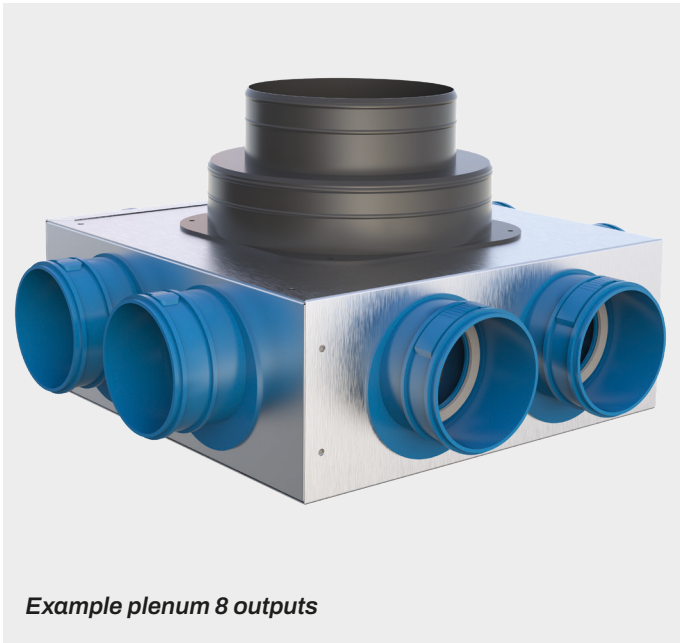
CMV DISTRIBUTION BOX
FOR FLEXIBLE DUCTED HOSE 4 - 6 - 8 - 10 - 12
OUTPUTS Ø 75 AND Ø 90



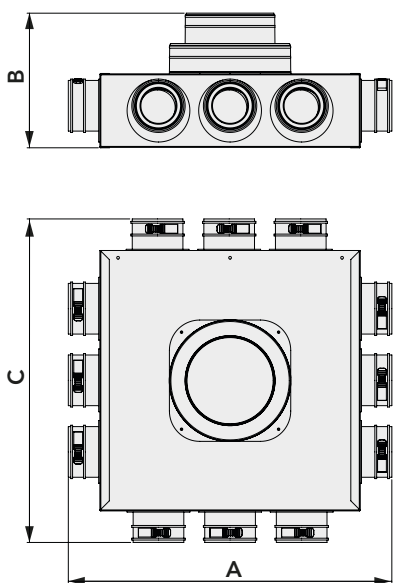
BOÎTE DE DISTRIBUTION POUR VMC
POUR TUBE FLEXIBLE 4 - 6 - 8 - 10 - 12 SORTIES
Ø 75 ET Ø 90



VERTEILER-KASTEN FÜR VMC
FÜR KANALISIERTEN SCHLAUCH 4 - 6 - 8 - 10 - 12
AUSGÄNGE Ø 75 UND Ø 90





Example plenum 8 outputs




CODE	A [mm]	B [mm]	C [mm]
ACD600147	415	222	311
ACD600148	415	222	363
ACD600149	415	222	415
ACD600150	533	222	533
ACD600151	533	222	533
ACD600152	419	222	311
ACD600153	419	222	365
ACD600154	419	222	419
ACD600155	537	222	537
ACD600156	537	222	537

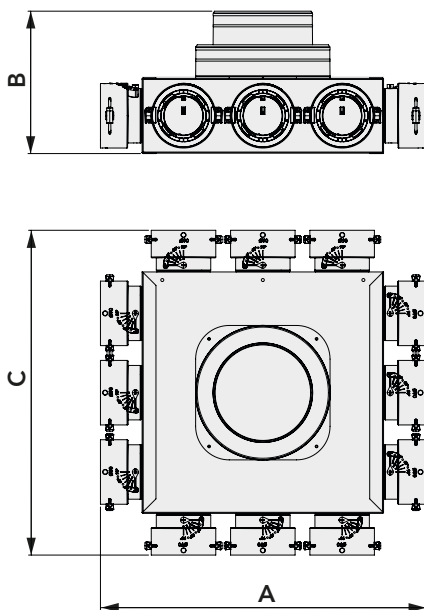
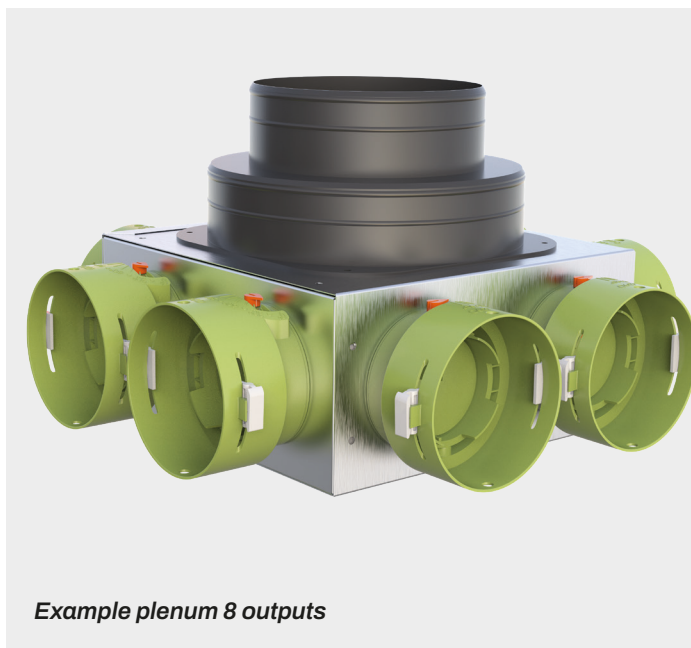
CODE	DESCRIPTION
ACD600147	INSULATED SHEET METAL DISTRIBUTION BOX 90° DIAM. 75 - 4 OUTPUTS INPUT 150/200
ACD600148	INSULATED SHEET METAL DISTRIBUTION BOX 90° DIAM. 75 - 6 OUTPUTS INPUT 150/200
ACD600149	INSULATED SHEET METAL DISTRIBUTION BOX 90° DIAM. 75 - 8 OUTPUTS INPUT 150/200
ACD600150	INSULATED SHEET METAL DISTRIBUTION BOX 90° DIAM. 75 - 10 OUTPUTS INPUT 150/200
ACD600151	INSULATED SHEET METAL DISTRIBUTION BOX 90° DIAM. 75 - 12 OUTPUTS INPUT 150/200
ACD600152	INSULATED SHEET METAL DISTRIBUTION BOX 90° DIAM. 90 - 4 OUTPUTS INPUT 150/200
ACD600153	INSULATED SHEET METAL DISTRIBUTION BOX 90° DIAM. 90 - 6 OUTPUTS INPUT 150/200
ACD600154	INSULATED SHEET METAL DISTRIBUTION BOX 90° DIAM. 90 - 8 OUTPUTS INPUT 150/200
ACD600155	INSULATED SHEET METAL DISTRIBUTION BOX 90° DIAM. 90 - 10 OUTPUTS INPUT 150/200
ACD600156	INSULATED SHEET METAL DISTRIBUTION BOX 90° DIAM. 90 - 12 OUTPUTS INPUT 150/200

CMV DISTRIBUTION BOX FOR FLEXIBLE DUCTED HOSE 4 - 6 - 8 - 10 - 12 OUTPUTS Ø 75 AND Ø 90 WITH SLEEVES COMPLETE WITH CALIBRATION DAMPER WITH ADJUSTMENT 

BOÎTE DE DISTRIBUTION POUR VMC POUR TUBE FLEXIBLE 4 - 6 - 8 - 10 - 12 SORTIES Ø 75 ET Ø 90 AVEC MANCHONS DOTÉS DE REGISTRE D'ÉTALONNAGE AVEC RÉGLAGE 

VERTEILER-KASTEN FÜR VMC FÜR KANALISIERTEN SCHLAUCH 4 - 6 - 8 - 10 - 12 AUSGÄNGE Ø 75 UND Ø 90 MIT MUFFEN, KOMPLETT MIT KALIBRIERKLAPPE MIT REGULIERUNG 

Available from April 2024



CODE	A [mm]	B [mm]	C [mm]
ACD600142	234	212	355
ACD600143	300	212	355
ACD600144	355	212	355
ACD600145	473	212	473
ACD600146	473	212	473
ACD600137	244	212	365
ACD600138	305	212	365
ACD600139	365	212	365
ACD600140	483	212	483
ACD600141	483	212	483

CODE	DESCRIPTION
ACD600142	INSULATED SHEET METAL DISTRIBUTION BOX 90° DIAM. 75 - 4 OUTPUTS INPUT 150/200 TS FITTING
ACD600143	INSULATED SHEET METAL DISTRIBUTION BOX 90° DIAM. 75 - 6 OUTPUTS INPUT 150/200 TS FITTING
ACD600144	INSULATED SHEET METAL DISTRIBUTION BOX 90° DIAM. 75 - 8 OUTPUTS INPUT 150/200 TS FITTING
ACD600145	INSULATED SHEET METAL DISTRIBUTION BOX 90° DIAM. 75 - 10 OUTPUTS INPUT 150/200 TS FITTING
ACD600146	INSULATED SHEET METAL DISTRIBUTION BOX 90° DIAM. 75 - 12 OUTPUTS INPUT 150/200 TS FITTING
ACD600137	INSULATED SHEET METAL DISTRIBUTION BOX 90° DIAM. 90 - 4 OUTPUTS INPUT 150/200 TS FITTING
ACD600138	INSULATED SHEET METAL DISTRIBUTION BOX 90° DIAM. 90 - 6 OUTPUTS INPUT 150/200 TS FITTING
ACD600139	INSULATED SHEET METAL DISTRIBUTION BOX 90° DIAM. 90 - 8 OUTPUTS INPUT 150/200 TS FITTING
ACD600140	INSULATED SHEET METAL DISTRIBUTION BOX 90° DIAM. 90 - 10 OUTPUTS INPUT 150/200 TS FITTING
ACD600141	INSULATED SHEET METAL DISTRIBUTION BOX 90° DIAM. 90 - 12 OUTPUTS INPUT 150/200 TS FITTING
ACD600135	SLEEVE KIT FOR HOSE Ø75 FOR SHEET METAL
ACD600136	SLEEVE KIT FOR HOSE Ø90 FOR SHEET METAL

PLENUM IN ABS PLASTIC FOR CMV



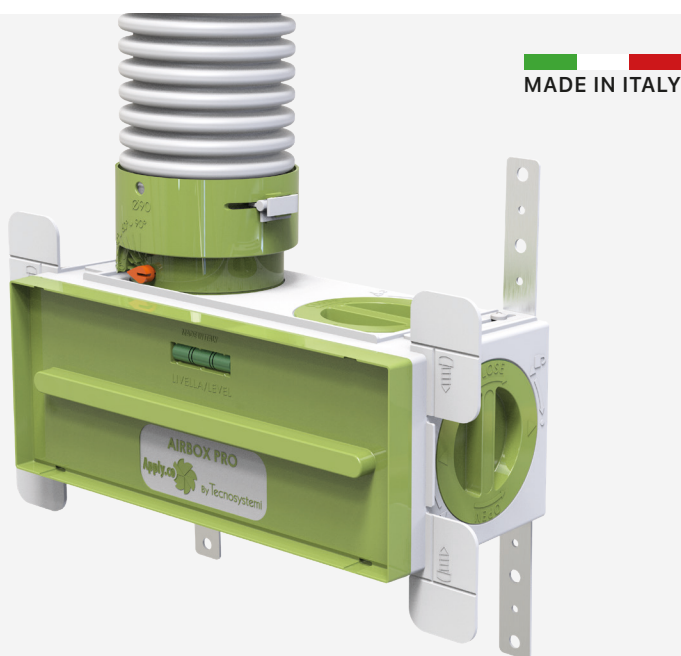
PLÉNUM EN PLASTIQUE ABS POUR VMC



PLENUM AUS KUNSTSTOFF ABS FÜR VMC



Airbox
pro

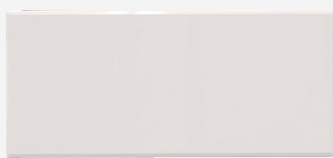


Available from April 2024

Choice of finishing grille



Taurus model



Gemini model



Virgo model



Aries model



Sleeve kit $\varnothing 75/90$ for plenum - 5 PCs.



Plugs kit for plenum - 5 PCs.

CODE	DESCRIPTION
ACD600088	CMV BOX IN POLYSTYRENE AND SLEEVE FOR HOSE $\varnothing 75$
ACD600092	CMV BOX IN POLYSTYRENE AND SLEEVE FOR HOSE $\varnothing 90$
ACD600089	SLEEVE KIT FOR HOSE $\varnothing 75$
ACD600090	SLEEVE KIT FOR HOSE $\varnothing 90$
ACD600157	CMV PLUGS KIT (5 PCs.)

CODE	DESCRIPTION	EXTERNAL DIMENSIONS [mm]	AIR FLOW RATE [m ³ /h]
ACC600089	FINISHING GRILLE GEMINI MODEL	L. 303 x H. 133	40
ACC600090	FINISHING GRILLE VIRGO MODEL	L. 303 x H. 133	60
ACC600091	FINISHING GRILLE ARIES MODEL	L. 303 x H. 133	50
ACC600092	FINISHING GRILLE TAURUS MODEL	L. 303 x H. 133	70

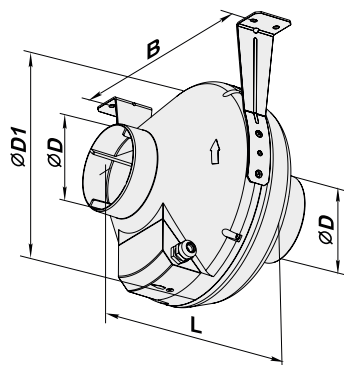
IN-LINE CIRCULAR DUCT FAN



VENTILATEUR EN LIGNE POUR CONDUIT CIRCULAIRE



IN-LINE-VENTILATOR MIT RUNDEM KANAL



CE

CODE	DESCRIPTION	ØD [mm]	ØD1 [mm]	B [mm]	L [mm]	WEIGHT [kg]
ACC500009	IN-LINE CIRCULAR DUCT FAN Ø100	100	250	270	230	2.01
ACC500010	IN-LINE CIRCULAR DUCT FAN Ø125	125	250	270	220	2.2
ACC500011	IN-LINE CIRCULAR DUCT FAN Ø150/160	150/160	300	310	286	2.45
ACC500012	IN-LINE CIRCULAR DUCT FAN Ø200	200	340	354	276	3.00
ACC500013	IN-LINE CIRCULAR DUCT FAN Ø250	250	340	354	265	4.3

IN-LINE CIRCULAR DUCT FAN REGULATOR



RÉGULATEUR POUR VENTILATEUR EN LIGNE DE CONDUIT CIRCULAIRE



REGLER FÜR IN-LINE-VENTILATOREN MIT RUNDEM KANAL



CE

CODE	DESCRIPTION
ACC600088	IN-LINE CIRCULAR DUCT FAN REGULATOR

INTAKE GRILLE IN WHITE PVC



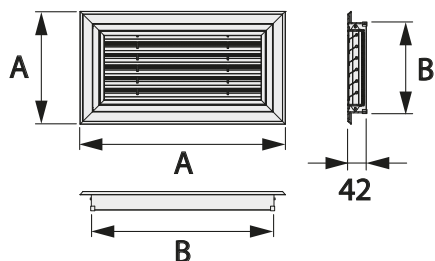
GRILLE DE RÉCUPÉRATION EN PVC BLANC



ABLUFTGITTER AUS WEISSEM PVC



Available from April 2024



CODE	DESCRIPTION	A	B	AIR FLOW RATE [m ³ /h]
		[mm]	[mm]	
PWC200075	INTAKE GRILLE IN WHITE PVC 450*200	442x192	395x145	230
PWC200076	INTAKE GRILLE IN WHITE PVC 650*250	642x242	595x195	370
PWC200077	INTAKE GRILLE IN WHITE PVC 450*250	442x242	395x195	250
PWC200081	INTAKE GRILLE IN WHITE PVC 350*200	342x192	295x145	180
PWC200082	INTAKE GRILLE IN WHITE PVC 550*200	542x192	495x145	290
PWC200083	INTAKE GRILLE IN WHITE PVC 550*250	542x242	495x195	320

ROUND WHITE INTAKE GRILLE



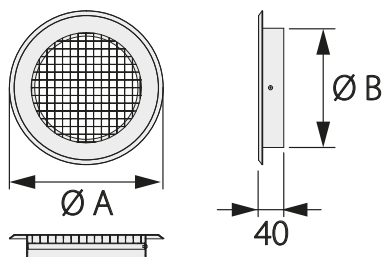
GRILLE DE RÉCUPÉRATION RONDE BLANCHE



RUNDES WEISSES ABLUFTGITTER



Available from April 2024



CODE	DESCRIPTION	Ø A	Ø B	AIR FLOW RATE [m ³ /h]
		[mm]	[mm]	
PWC200072	ROUND INTAKE GRILLE IN WHITE RAL 9016 Ø95	150	95	47
PWC200073	ROUND INTAKE GRILLE IN WHITE RAL 9016 Ø120	175	120	72
PWC200074	ROUND INTAKE GRILLE IN WHITE RAL 9016 Ø145	200	145	102

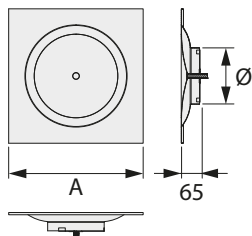
CIRCULAR DIFFUSER ON SQUARE BASE



DIFFUSEUR CIRCULAIRE SUR BASE CARRÉE



KREISFÖRMIGER LUFTDURCHLASS AUF QUADRATISCHER BASIS



Available from April 2024

CODE	DESCRIPTION	A	Ø
		[mm]	[mm]
PWC200080	CIRCULAR DIFFUSER ON SQUARE BASE RAL 9016 - Ø150	595 x 595	148
PWC200070	CIRCULAR DIFFUSER ON SQUARE BASE RAL 9016 - Ø200	595 x 595	198
PWC200071	CIRCULAR DIFFUSER ON SQUARE BASE RAL 9016 - Ø250	595 x 595	248

ROUND CANOVA

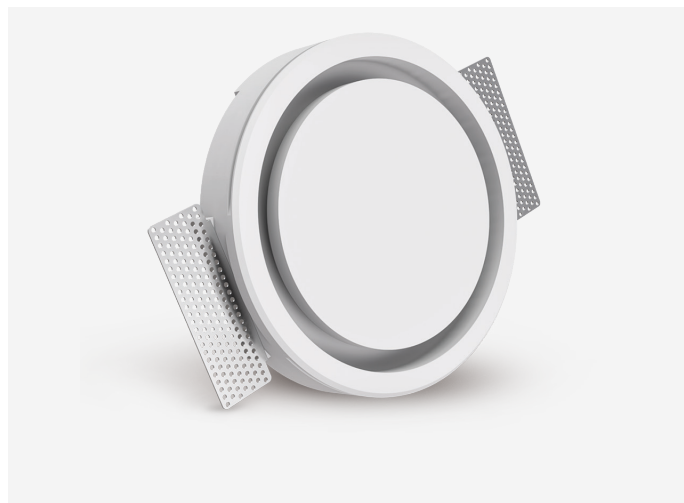
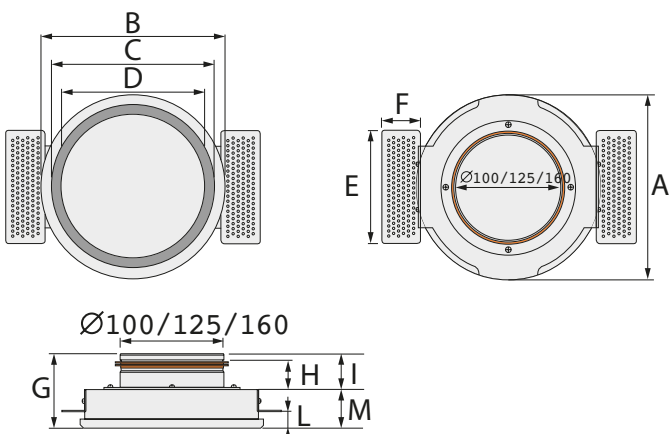
DIFFUSER IN GYPSUM FOR PLASTERBOARD



DIFFUSEUR EN PLÂTRE POUR PLACOPLÂTRE



LUFTDURCHLASS AUS GIPS FÜR GIPSKARTON



MOD.	A [mm]	B [mm]	C [mm]	D [mm]	E [mm]	F [mm]	G [mm]	H [mm]	I [mm]	L [mm]	M [mm]
Ø 100	234	238	206	176	120	38	89	35	41	13-26	48
Ø 125	234	238	206	176	120	38	89	35	41	13-26	48
Ø 160	296	296	266	232	173	38	91	35	41	13-26	50

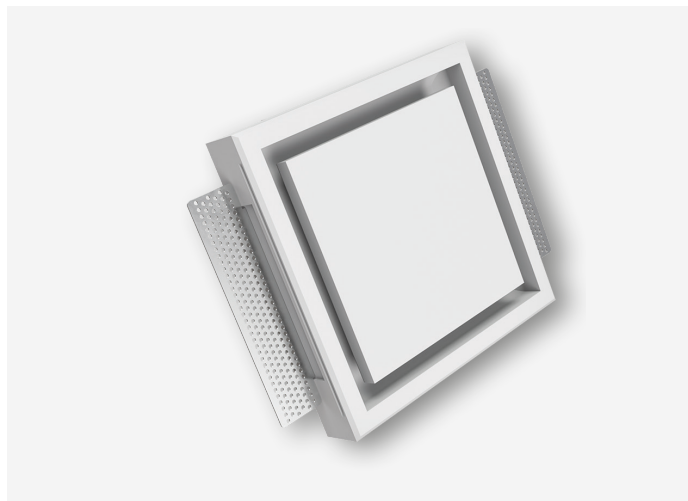
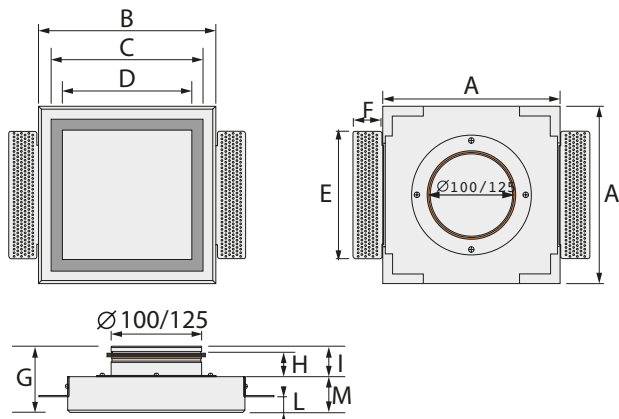
CODE	DESCRIPTION	DIAMETER [mm]
PWD200028	ROUND CANOVA DIFFUSER DIAMETER 100	Ø 100
PWD200029	ROUND CANOVA DIFFUSER DIAMETER 125	Ø 125
PWD200030	ROUND CANOVA DIFFUSER DIAMETER 160	Ø 160

CANOVA SQUARE

DIFFUSER IN GYPSUM FOR PLASTERBOARD 

DIFFUSEUR EN PLÂTRE POUR PLACOPLÂTRE 

LUFTDURCHLASS AUS GIPS FÜR GIPSKARTON 



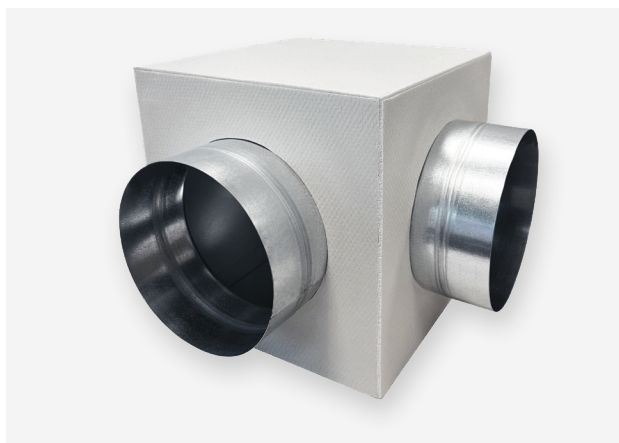
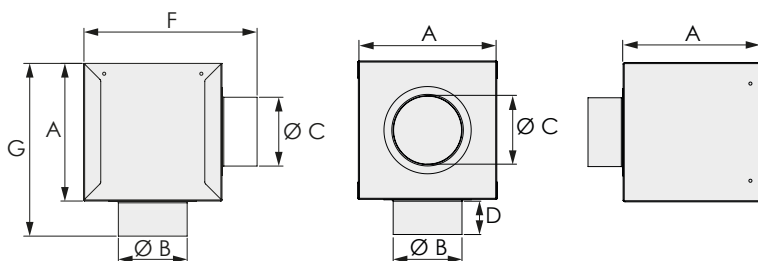
MOD.	A [mm]	B [mm]	C [mm]	D [mm]	E [mm]	F [mm]	G [mm]	H [mm]	I [mm]	L [mm]	M [mm]
Ø 100	240	240	206	176	173	38	89	35	41	13-26	48
Ø 125	240	240	206	176	173	38	89	35	41	13-26	48

CODE	DESCRIPTION	DIAMETER [mm]
PWD200031	"CANOVA" SQUARE DIFFUSER Ø100	Ø 100
PWD200032	"CANOVA" SQUARE DIFFUSER Ø125	Ø 125

PLENUM FOR "CANOVA" DIFFUSERS 

PLÉNUM POUR DIFFUSEURS « CANOVA » 

PLENUM FÜR LUFTDURCHLÄSSE "CANOVA" 



MOD.	A [mm]	Ø B [mm]	Ø C [mm]	D [mm]	F [mm]	G [mm]
Ø 100	205	100	100	50	252	251
Ø 125	205	125	125	50	252	251
Ø 160	255	160	150	50	300	300

CODE	DESCRIPTION	DIAMETER [mm]
PWD200033	PLENUM FOR "CANOVA" DIFFUSER Ø100	Ø 100
PWD200034	PLENUM FOR "CANOVA" DIFFUSER Ø125	Ø 125
PWD200035	PLENUM FOR "CANOVA" DIFFUSER Ø160	Ø 160

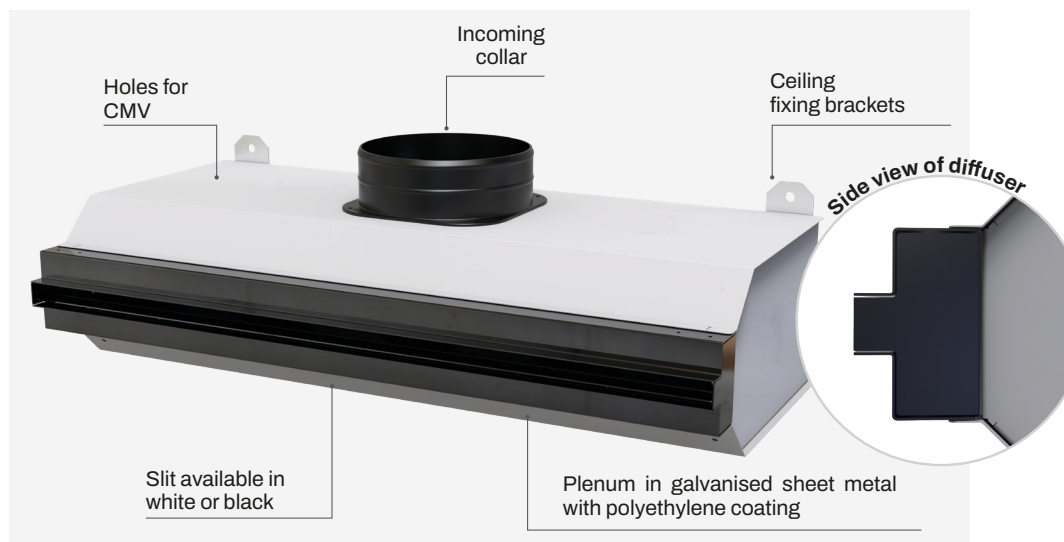
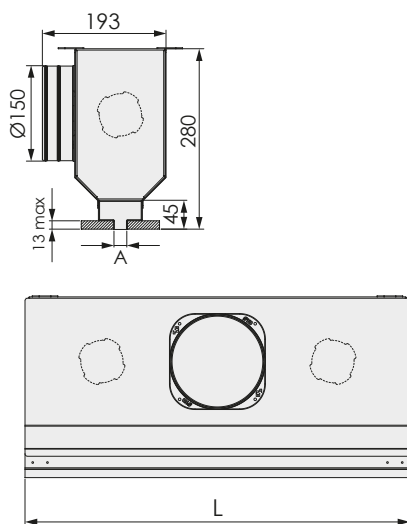
HIDDEN LINEAR DIFFUSER WITH SINGLE SLIT WITH BAFFLE AND DAMPER COMPLETE WITH INSULATED PLENUM



DIFFUSEUR LINÉAIRE RÉTRACTABLE À UNE FENTE AVEC DÉFLECTEUR ET REGISTRE DOTE DE PLÉNUM ISOLÉ



FLÄCHENBÜNDIG MONTIERTER LINEARLUFTDURCHLASS MIT EINFACHEM SCHLITZ, LEITBLECH UND KLASPE, KOMPLETT MIT ISOLIERTEM PLENUM



CODE	DESCRIPTION	DIMENSIONS		No. COUPLERS	Q [m³/h]
		A [mm]	L [mm]		
PWD301360	HIDDEN LINEAR DIFFUSER WITH SINGLE SLIT WITH BAFFLE AND DAMPER COMPLETE WITH INSULATED PLENUM L600X20MM WHITE RAL 9016	20	600	1	165
PWD301361 *	HIDDEN LINEAR DIFFUSER WITH SINGLE SLIT WITH BAFFLE AND DAMPER COMPLETE WITH INSULATED PLENUM L800X20MM WHITE RAL 9016	20	800	2	220
PWD301362	HIDDEN LINEAR DIFFUSER WITH SINGLE SLIT WITH BAFFLE AND DAMPER COMPLETE WITH INSULATED PLENUM L1000X20MM WHITE RAL 9016	20	1000	2	275
PWD301363 *	HIDDEN LINEAR DIFFUSER WITH SINGLE SLIT WITH BAFFLE AND DAMPER COMPLETE WITH INSULATED PLENUM L1500X20MM WHITE RAL 9016	20	1500	3	410
PWD301364 *	HIDDEN LINEAR DIFFUSER WITH SINGLE SLIT WITH BAFFLE AND DAMPER COMPLETE WITH INSULATED PLENUM L2000X20MM WHITE RAL 9016	20	2000	4	550
PWD301365 *	HIDDEN LINEAR DIFFUSER WITH SINGLE SLIT WITH BAFFLE AND DAMPER COMPLETE WITH INSULATED PLENUM L600X30MM WHITE RAL 9016	30	600	1	195
PWD301366 *	HIDDEN LINEAR DIFFUSER WITH SINGLE SLIT WITH BAFFLE AND DAMPER COMPLETE WITH INSULATED PLENUM L800X30MM WHITE RAL 9016	30	800	2	260
PWD301367 *	HIDDEN LINEAR DIFFUSER WITH SINGLE SLIT WITH BAFFLE AND DAMPER COMPLETE WITH INSULATED PLENUM L1000X30MM WHITE RAL 9016	30	1000	2	325
PWD301368 *	HIDDEN LINEAR DIFFUSER WITH SINGLE SLIT WITH BAFFLE AND DAMPER COMPLETE WITH INSULATED PLENUM L1500X30MM WHITE RAL 9016	30	1500	3	480
PWD301369 *	HIDDEN LINEAR DIFFUSER WITH SINGLE SLIT WITH BAFFLE AND DAMPER COMPLETE WITH INSULATED PLENUM L2000X30MM WHITE RAL 9016	30	2000	4	650
PWD301370	HIDDEN LINEAR DIFFUSER WITH SINGLE SLIT WITH BAFFLE AND DAMPER COMPLETE WITH INSULATED PLENUM L600X20MM BLACK RAL 9005	20	600	1	165
PWD301371 *	HIDDEN LINEAR DIFFUSER WITH SINGLE SLIT WITH BAFFLE AND DAMPER COMPLETE WITH INSULATED PLENUM L800X20MM BLACK RAL 9005	20	800	2	220
PWD301372	HIDDEN LINEAR DIFFUSER WITH SINGLE SLIT WITH BAFFLE AND DAMPER COMPLETE WITH INSULATED PLENUM L1000X20MM BLACK RAL 9005	20	1000	2	275
PWD301373 *	HIDDEN LINEAR DIFFUSER WITH SINGLE SLIT WITH BAFFLE AND DAMPER COMPLETE WITH INSULATED PLENUM L1500X20MM BLACK RAL 9005	20	1500	3	410
PWD301374 *	HIDDEN LINEAR DIFFUSER WITH SINGLE SLIT WITH BAFFLE AND DAMPER COMPLETE WITH INSULATED PLENUM L2000X20MM BLACK RAL 9005	20	2000	4	550
PWD301375 *	HIDDEN LINEAR DIFFUSER WITH SINGLE SLIT WITH BAFFLE AND DAMPER COMPLETE WITH INSULATED PLENUM L600X30MM BLACK RAL 9005	30	600	1	195
PWD301376 *	HIDDEN LINEAR DIFFUSER WITH SINGLE SLIT WITH BAFFLE AND DAMPER COMPLETE WITH INSULATED PLENUM L800X30MM BLACK RAL 9005	30	800	2	260
PWD301377 *	HIDDEN LINEAR DIFFUSER WITH SINGLE SLIT WITH BAFFLE AND DAMPER COMPLETE WITH INSULATED PLENUM L1000X30MM BLACK RAL 9005	30	1000	2	325
PWD301378 *	HIDDEN LINEAR DIFFUSER WITH SINGLE SLIT WITH BAFFLE AND DAMPER COMPLETE WITH INSULATED PLENUM L1500X30MM BLACK RAL 9005	30	1500	3	480
PWD301379 *	HIDDEN LINEAR DIFFUSER WITH SINGLE SLIT WITH BAFFLE AND DAMPER COMPLETE WITH INSULATED PLENUM L2000X30MM BLACK RAL 9005	30	2000	4	650

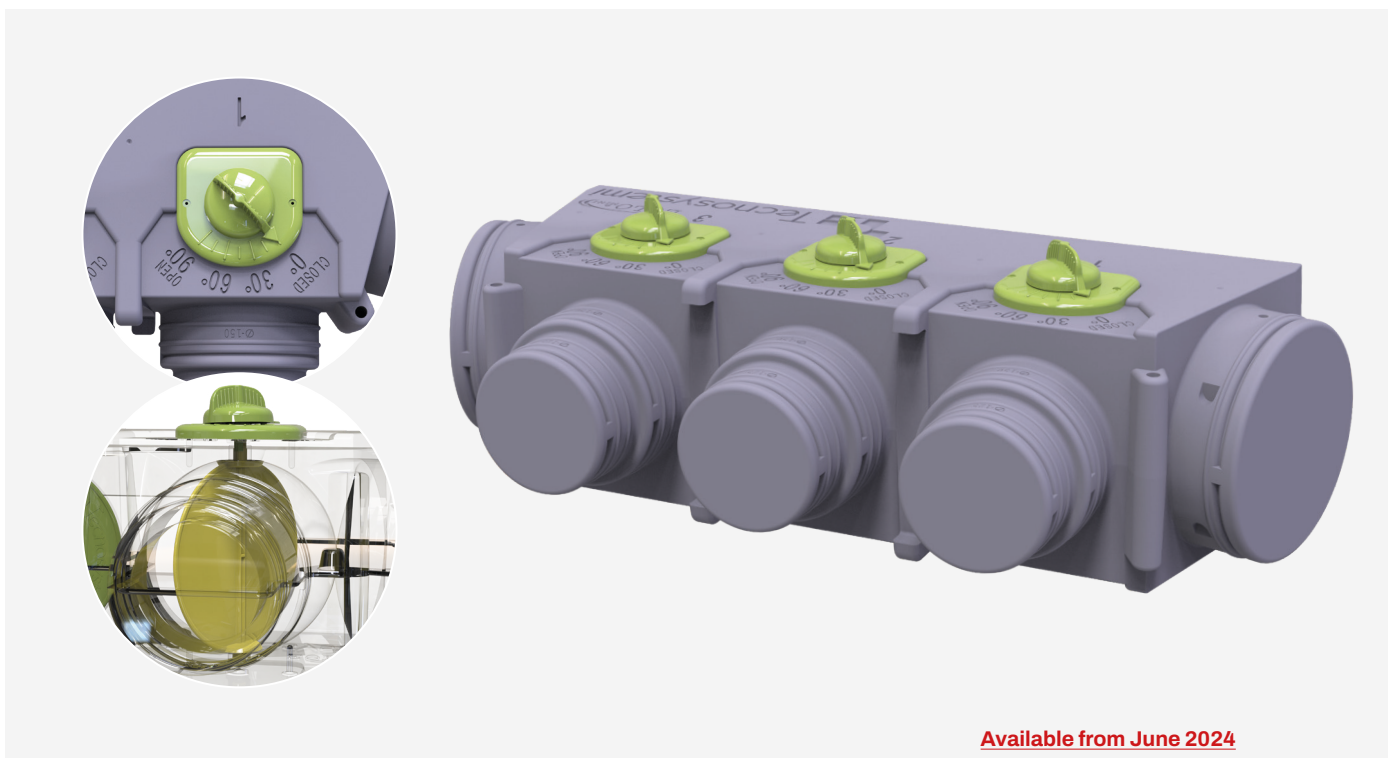
EOLO MINI UNIVERSAL POLYSTYRENE PLENUM KIT WITH MANUAL DAMPER



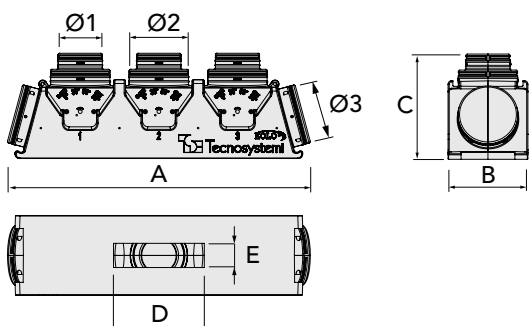
KIT PLÉNUM EN POLYSTYRÈNE EOLO, EOLO MINI UNIVERSAL AVEC REGISTRE À RÉGLAGE MANUEL



EOLO MINI UNIVERSAL POLYSTYROL PLENUM BAUSATZ MIT MANUELL EINZUSTELLENDER KLASPE



Available from June 2024



A [mm]	B [mm]	C [mm]	D [mm]	E [mm]	No. Ø1 [mm]	No. Ø2 [mm]	No. Ø3 [mm]
818	217	346	UPTO 600	UPTO 185	No.3 Ø125	No.3 Ø150	No.2 Ø200
1008	217	346	UPTO 795	UPTO 185	No.4 Ø125	No.4 Ø150	No.2 Ø200
741	244	348	UPTO 550	UPTO 215	No.2 Ø150	No.2 Ø200	No.2 Ø200
1000	264	348	UPTO 800	UPTO 215	No.3 Ø150	No.3 Ø200	No.2 Ø200
1261	284	348	UPTO 1060	UPTO 235	No.4 Ø150	No.4 Ø200	No.2 Ø200
1520	304	348	UPTO 1300	UPTO 245	No.5 Ø150	No.5 Ø200	No.2 Ø200

CODE	DESCRIPTION
PWD401715	EOLO MINI UNIVERSAL POLYSTYRENE PLENUM KIT MOD.AM3 WITH MANUAL DAMPER
PWD401716	EOLO MINI UNIVERSAL POLYSTYRENE PLENUM KIT MOD.BM4 WITH MANUAL DAMPER
PWD401717	EOLO UNIVERSAL POLYSTYRENE PLENUM KIT MOD.E2 WITH MANUAL DAMPER
PWD401718	EOLO UNIVERSAL POLYSTYRENE PLENUM KIT MOD.A3 WITH MANUAL DAMPER
PWD401719	EOLO UNIVERSAL POLYSTYRENE PLENUM KIT MOD.B4 WITH MANUAL DAMPER
PWD401720	EOLO UNIVERSAL POLYSTYRENE PLENUM KIT MOD.C5 WITH MANUAL DAMPER

INTAKE PLENUM IN PLA READY FOR FILTER



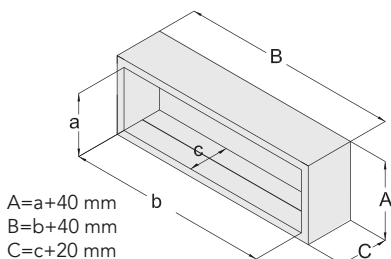
PLÉNUM DE RÉCUPÉRATION EN PAL PRÉDISPOSÉ POUR FILTRE



ABLUFTPLENUM AUS PAL, VORBEREITET FÜR FILTER



MADE IN ITALY



CODE	MOD.	INTERNAL HEIGHT	INTERNAL WIDTH	INTERNAL DEPTH
		a [mm]	b [mm]	c [mm]
PWD401710	MOD. 1	≤400	≤1000	≤180
PWD401711	MOD. 2	≤400	≤1200	≤180
PWD401712	MOD. 3	≤400	≤1500	≤180
PWD401713	MOD. 4	≤400	≤1700	≤180

SIMPLE ARMORED ALUMINIUM FLEXIBLE DUCTED FLEXIBLE HOSE



TUBE FLEXIBLE CANALISÉ EN ALUMINIUM SIMPLE BLINDÉ



FLEXIBLES, KANALISIERTES, GEPANZERTES ALUMINIUMROHR



Available from March 2024

MADE IN ITALY

New diameter Ø 165



CODE	DESCRIPTION
PWC400015	SIMPLE ARMORED ALUMINIUM FLEXIBLE DUCTED FLEXIBLE HOSE Ø165 MM L.10 M

THERMAL FLEXIBLE DUCTED PIPE - DOUBLE-WALLED ARMOURED ALUMINIUM PHONIC



TUBE FLEXIBLE CANALISÉ THERMIQUE - PHONIQUE EN ALUMINIUM À DOUBLE PAROI BLINDÉ



THERMISCH- UND SCHALLGEDÄMMTES FLEXIBLES LEITUNGSROHR MIT DOPPELWANDIGES GEPANZERTES ALUMINIUM



Available from March 2024

New diameter Ø 165



MADE IN ITALY

CODE	DESCRIPTION
PWC400016	THERMAL FLEXIBLE DUCTED PIPE - DOUBLE-WALLED ARMOURED ALUMINIUM PHONIC Ø165 MM L.10 M

SIMPLE ALUMINIUM FLEXIBLE DUCTED FLEXIBLE HOSE WITH INTERNAL ANTIBACTERIAL TREATMENT



TUBE FLEXIBLE CANALISÉ EN ALUMINIUM SIMPLE AVEC TRAITEMENT ANTIBACTÉRIEN INTERNE



FLEXIBLES, KANALISIERTES, EINFACHES ALUMINIUMROHR MIT ANTIBAKTERIELLER INNENBEHANDLUNG



New diameter Ø 165

**Available from
March 2024**

MADE IN ITALY



CODE	DESCRIPTION
PWC400017	SIMPLE ALUMINIUM FLEXIBLE DUCTED FLEXIBLE HOSE WITH INTERNAL ANTIBACTERIAL TREATMENT Ø165 MM L.10 M

THERMAL FLEXIBLE DUCTED PIPE - DOUBLE-WALLED ARMoured ALUMINIUM PHONIC



TUBE FLEXIBLE CANALISÉ THERMIQUE - PHONIQUE EN ALUMINIUM À DOUBLE PAROI AVEC TRAITEMENT ANTIBACTÉRIEN INTERNE



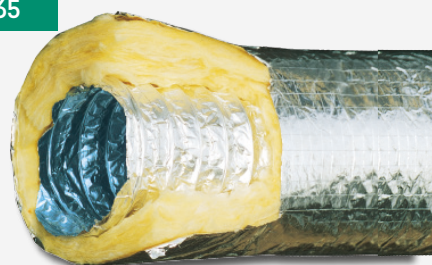
THERMISCH- UND SCHALLGEDÄMMTES FLEXIBLES LEITUNGSROHR MIT DOPPELWANDIGES GEPANZERTES ALUMINIUM



New diameter Ø 165

**Available from
March 2024**

MADE IN ITALY



CODE	DESCRIPTION
PWC400018	THERMAL FLEXIBLE DUCTED PIPE - DOUBLE-WALLED ARMoured ALUMINIUM PHONIC Ø165 MM L.10 M

SIMPLE POLYETHYLENE FLEXIBLE DUCTED FLEXIBLE HOSE



TUBE FLEXIBLE CANALISÉ EN POLYÉTHYLÈNE SIMPLE



FLEXIBLES KANALISIERTES, EINFACHES ROHR AUS POLYETHYLEN



New diameter Ø 165

**Available from
March 2024**

MADE IN ITALY



CODE	DESCRIPTION
PWC400019	SIMPLE POLYETHYLENE FLEXIBLE DUCTED FLEXIBLE HOSE Ø165 MM L.10 M

ULTRA FLEXIBLE POLYETHYLENE DUCTED PIPE DOUBLE WALL THERMAL - PHONIC



TUBE CANALISÉ ULTRA FLEXIBLE EN POLYÉTHYLÈNE À DOUBLE PAROI THERMIQUE - PHONIQUE



THERMISCH- UND SCHALLGEDÄMMTES ULTRAFLEXIBLES LEITUNGSROHR



New diameter Ø 165

**Available from
March 2024**

MADE IN ITALY



CODE	DESCRIPTION
PWC400020	ULTRA FLEXIBLE POLYETHYLENE DUCTED PIPE DOUBLE WALL THERMAL - PHONIC Ø165 MM L.10 M

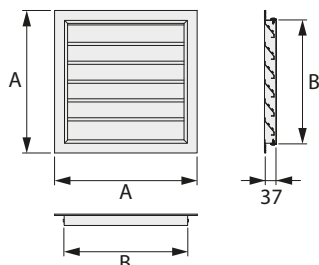
WATERPROOF GRILLE IN WHITE ALUMINIUM



GRILLE IMPERMÉABLE EN ALUMINIUM BLANC



WASSERDICHTES GITTER AUS WEISSEM ALUMINIUM



MADE IN ITALY

Available from April 2024

CODE	DESCRIPTION	A	B	AIR PASSAGE [cm ²]
		[mm]	[mm]	
PWC200078	WATERPROOF GRILLE IN WHITE RAL9016 350*350	353x353	295x295	548
PWC200079	WATERPROOF GRILLE IN WHITE RAL9016 450*450	453x453	395x395	1100
PWC200084	WATERPROOF GRILLE IN WHITE RAL9016 550*550	653x653	595x595	1200

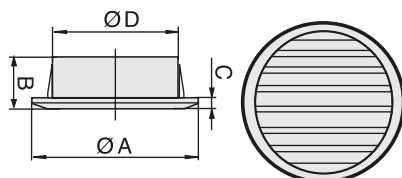
FLUSH-MOUNTED CIRCULAR GRILLE IN WHITE ABS



GRILLE CIRCULAIRE INTÉGRÉ EN ABS RAL 7016



EINBAU-RUNDGITTER AUS RAL 7016 ABS



Available from March 2024

CODE	DESCRIPTION	AIR PASSAGE [cm ²]
PWC200068	FLUSH-MOUNTED CIRCULAR GRILLE IN RAL 7016 ABS	40

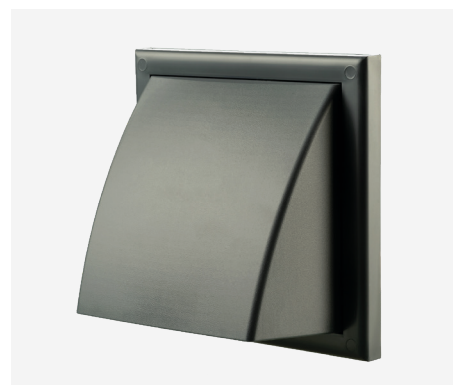
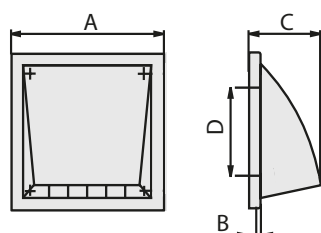
SQUARE GRILLE WITH FLUSH-MOUNTED WIND PROTECTION IN RAL 7016 PLASTIC ABS



GRILLE CARRÉE AVEC PROTECTION INTÉGRÉE CONTRE LE VENT EN PLASTIQUE ABS RAL 7016



QUADRATISCHES GITTER MIT EINGEBAUTEM WINDSCHUTZ AUS RAL 7016 ABS-KUNSTSTOFF



Available from March 2024

CODE	DESCRIPTION	AIR PASSAGE [cm ²]
PWC200066	SQUARE GRILLE WITH FLUSH-MOUNTED WIND PROTECTION IN RAL 7016 PLASTIC ABS	79

**SIMPLE ALUMINIUM FLEXIBLE DUCTED
FLEXIBLE HOSE WITH INTERNAL
ANTIBACTERIAL TREATMENT**



**TUBE FLEXIBLE CANALISÉ EN ALUMINIUM
SIMPLE AVEC TRAITEMENT ANTIBACTÉRIEN
INTERNE**



**FLEXIBLES, KANALISIERTES, EINFACHES
ALUMINIUMROHR MIT ANTIBAKTERIELLER
INNENBEHANDLUNG**



CODICE	DESCRIZIONE
PWD401721	INSULATED PLENUM FOR SQUARE VENTILATION GRILLE IN ALUMINIUM 300x300 FOR REAR ENTRANCE Ø150/200
PWD401722	INSULATED PLENUM FOR SQUARE VENTILATION GRILLE IN ALUMINIUM 400x400 FOR REAR ENTRANCE Ø150/200
PWD401723	INSULATED PLENUM FOR SQUARE VENTILATION GRILLE IN ALUMINIUM 400x400 FOR REAR ENTRANCE Ø250
PWD401724	INSULATED PLENUM FOR SQUARE VENTILATION GRILLE IN ALUMINIUM 500x500 FOR REAR ENTRANCE Ø300
PWD401725	INSULATED PLENUM FOR SQUARE VENTILATION GRILLE IN ALUMINIUM 500x500 FOR REAR ENTRANCE Ø350

BIO DEGREASER CLEANING SPRAY FOR INDOOR UNITS



DÉGRAISSANT BIO SPRAY POUR LE NETTOYAGE DES UNITÉS INTÉRIEURES



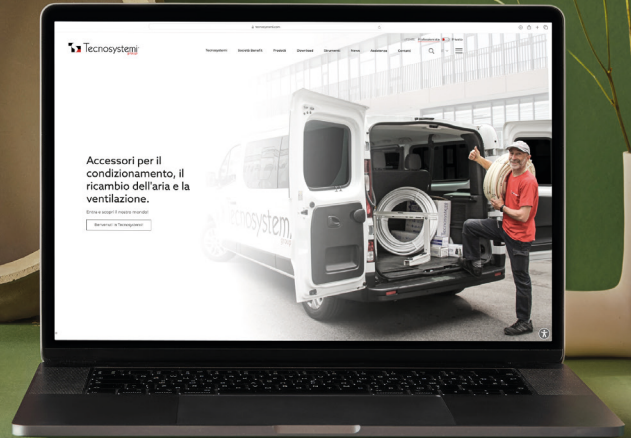
BIO ENTFETTUNGSSPRAY FÜR DIE REINIGUNG DER INNENGERÄTE



Available from February 2024

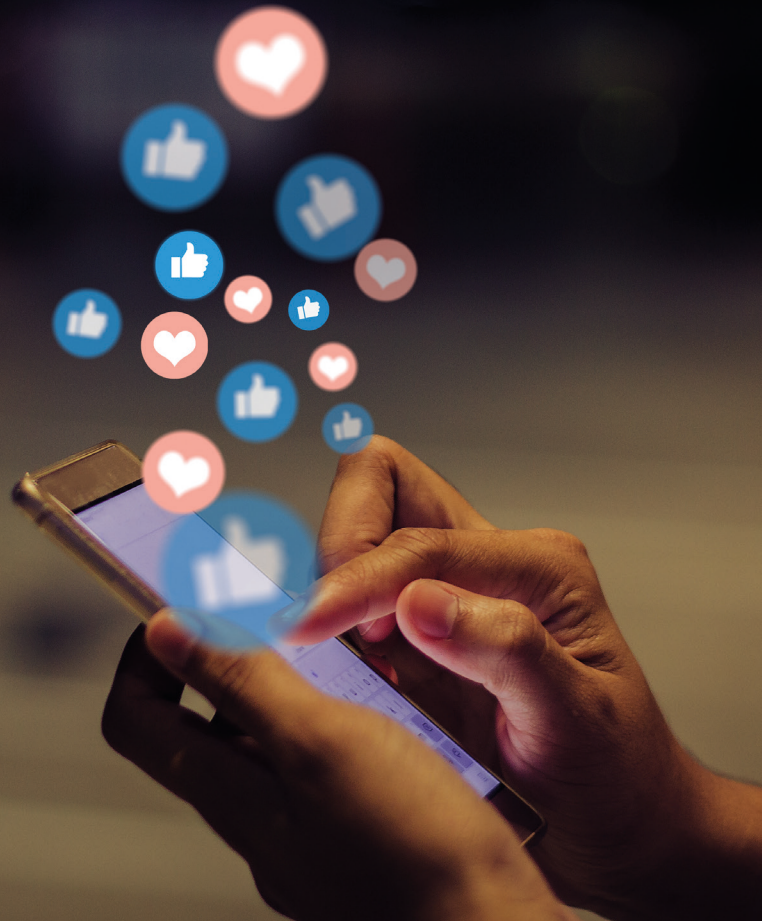
CODE	DESCRIPTION
HCC100057	BIO DEGREASER CLEANING SPRAY FOR INDOOR UNITS

STAY UPDATED
ON THE NEWS
OF PRODUCT!



www.tecnosystemi.com

FOLLOW US
ON OUR
SOCIAL NETWORK



NEWS

DISCOVER A NEW WAY OF SEEING TECNOSYSTEMI PRODUCTS THANKS TO THE AUGMENTED REALITY TECHNOLOGY!

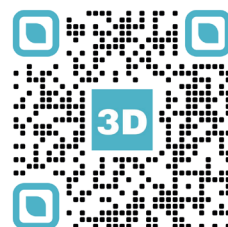
With our innovative solution you can transform your everyday world into an extraordinary experience.

Our Augmented Reality solution is easy to use and adapts to different platforms. Simply frame the QR code on the product page and see the product in augmented reality on your device!



TRY IT!

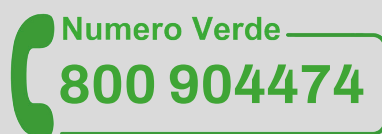
Virtual Reality



Tecnosystemi S.p.A. Società Benefit

Via dell'Industria, 2/4
Z.I. San Giacomo di Veglia
31029 Vittorio Veneto (Treviso)
Tel +39 0438.500044
Fax +39 0438.501516

C.F. - P. IVA - R.I.TV IT02535780247
Cap. Soc. 5.000.000,00 i.v.



Lun - Ven 08.30 - 12.30 / 13.30 - 17.30

www.tecnosystemi.com

f | @ | ▶ | in

