

DATASHEET

rev. 01 - 02/11/2023

MADE IN ITALY

INFINITY

supporto a pavimento con bacinella BLUE RIVER e basi EXTREME 100-8

SCD500103 - SCD500104 - SCD500256
SCD500105 - SCD500106 - SCD500255
SCD500107 - SCD500108 - SCD500229

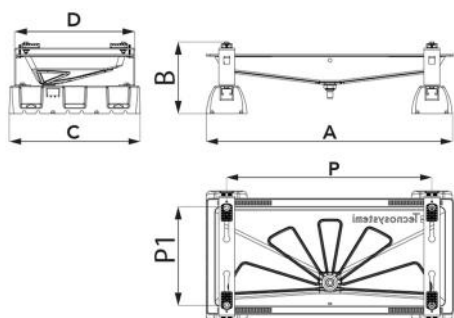


TECHNICAL SPECIFICATIONS:

- Electro-galvanised sheet metal feet
- Polyester exterior feet painted in ivory RAL 9002
- BLUE RIVER basin in ivory ABS PMMA plastic
- Coupling for condensate drain pipe \varnothing 16
- Includes "No- Shock" 2 Hard + 2 Soft vibration-damping kit
- SBR EXTREME vulcanised rubber floor bases with M8 fastening bolt
- Capacity 150 kg

ELECTRICAL HEATING CABLE SPECIFICATIONS:

- Heating cable diameter 6 mm
- Power supply voltage 230 V
- Resistance tolerances -5% / +10%
- Activation of element at +3°C
- Built-in thermal sensor



DIMENSIONS

CODE	A [mm]	B [mm]	C [mm]	D [mm]	P [mm]	P1 [mm]
SCD500103	845	240	450	410	800 - 400	350 - 150
SCD500104	1050	240	450	410	1000 - 400	350 - 150
SCD500256	1250	240	600	520	1100 - 600	450 - 250
SCD500105	845	240	450	410	800 - 400	350 - 150
SCD500106	1050	240	450	410	1000 - 400	350 - 150
SCD500255	1250	240	600	520	1100 - 600	450 - 250
SCD500107	845	240	450	410	800 - 400	350 - 150
SCD500108	1050	240	450	410	1000 - 400	350 - 150
SCD500229	1250	240	600	520	1100 - 600	450 - 250

MODELS AVAILABLE:

WITH HEATING CABLE 3 m:

- Includes 15 W/m 3 m heating cable
- Coupling for condensate drain pipe Ø 16

WITH HEATING CABLE 3 + 3 m

- Includes 15 W/m 3 m + 3 m (6 m total) heating cable
- Coupling for condensate drain pipe Ø 20
- Equipped with a condensate drain pipe securing clamp
- With 3 m insulated condensate drain pipe

TECHNICAL DATA

CODE	LOAD CAPACITY [kg]
SCD500103	150
SCD500104	150
SCD500256	190
SCD500105	150
SCD500106	150
SCD500255	190
SCD500107	150
SCD500108	150
SCD500229	190

ITEMS

CODE	DESCRIPTION
SCD500103	FLOOR STAND "INFINITY" W/ SMALL DRAIN PAN "BLUE RIVER + "EXTREME-8-100"
SCD500104	FLOOR STAND "INFINITY" W/ LARGE DRAIN PAN "BLUE RIVER + "EXTREME-8-100"
SCD500256	
SCD500105	FLOOR STAND "INFINITY" W/ SMALL DRAIN PAN "BLUE RIVER + 3 MT CABLE + "EXTREME-8-100"
SCD500106	FLOOR STAND "INFINITY" W/ LARGE DRAIN PAN "BLUE RIVER + 3 MT CABLE + "EXTREME-8-100"
SCD500255	
SCD500107	FLOOR STAND "INFINITY" W/ SMALL DRAIN PAN "BLUE RIVER + 6 MT CABLE + "EXTREME-8-100"
SCD500108	FLOOR STAND "INFINITY" W/ LARGE DRAIN PAN "BLUE RIVER + 6 MT CABLE + "EXTREME-8-100"
SCD500229	