

DATASHEET

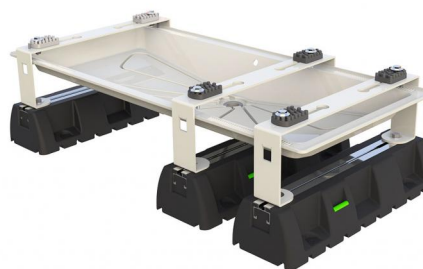
rev. 02 - 13/11/2023

MADE IN ITALY

INFINITY

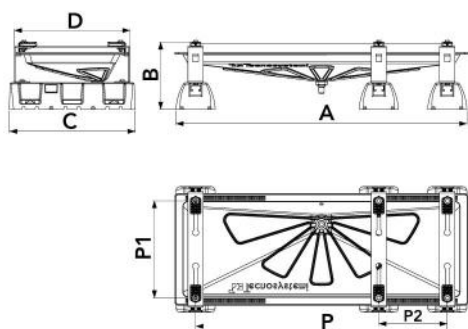
supporto a pavimento INFINITY con
bacinella BLUE RIVER e 3 basi EXTREME
100-8

SCD500224 - SCD500225 - SCD500330



TECHNICAL SPECIFICATIONS:

- Electro-galvanised sheet metal feet
- Piedini verniciatura in poliesteri da esterno color avorio
- BLUE RIVER basin in ivory ABS PMMA plastic
- Coupling for condensate drain pipe \varnothing 16
- Includes "No- Shock" 2 Hard + 2 Soft vibration-damping kit
- SBR EXTREME vulcanised rubber floor bases with M8 fastening bolt



DIMENSIONS

CODE	A [mm]	B [mm]	C [mm]	D [mm]	P [mm]	P1 [mm]	P2 [mm]	Portata [kg]
SCD500224	1050	240	450	410	1000 - 400	350 - 150	140 - 250	170
SCD500225	1250	240	600	520	1100 - 600	450 - 250	140 - 400	200
SCD500330	1250	240	600	520	1100 - 600	450 - 250	140 - 400	200

ITEMS

CODE	DESCRIPTION
SCD500224	" INFINITY" FLOOR STAND WITH DRAIN PAN "BLUE RIVER - MEDIUM" + 3 pcs EXTREME 100-8
SCD500225	" INFINITY" FLOOR STAND WITH DRAIN PAN "BLUE RIVER - BIG" + 3 pcs EXTREME 100-8
SCD500330	