

DATASHEET

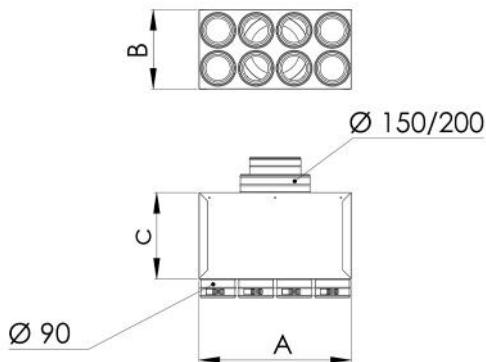
rev. 00 - 21/11/2023

Insulated distribution plenum for CMV for flexible ducted hose 4-6-8-10-12 outputs \varnothing 90 with sleeves complete with calibration damper with adjustment



ACD600114 - ACD600115 - ACD600116
ACD600117 - ACD600118 - ACD600119
ACD600120

TECHNICAL SPECIFICATIONS:



DIMENSIONS

CODE	A [mm]	B [mm]	C [mm]	INPUT \varnothing [mm]	No.of OUTLETS - \varnothing [mm]
ACD600114	230	240	250	150 / 200	4 - 90
ACD600115	350	240	250	150 / 200	6 - 90
ACD600116	465	240	250	150 / 200	8 - 90
ACD600117	580	240	250	150 / 200	10 - 90
ACD600118	700	240	250	150 / 200	12 - 90
ACD600119	230	240	250	100 / 125 / 150	4 - 90
ACD600120	350	240	250	100 / 125 / 150	6 - 90

ITEMS

CODE	DESCRIPTION
ACD600114	CMV INSULATED SHEET METAL PLENUM FOR FLEXIBLE CORRUGATED PIPE Ø90 4 OUTLETS Ø150/200
ACD600115	CMV INSULATED SHEET METAL PLENUM FOR FLEXIBLE CORRUGATED PIPE Ø90 6 OUTLETS Ø150/200
ACD600116	CMV INSULATED SHEET METAL PLENUM FOR FLEXIBLE CORRUGATED PIPE Ø90 8 OUTLETS Ø150/200
ACD600117	CMV INSULATED SHEET METAL PLENUM FOR FLEXIBLE CORRUGATED PIPE Ø90 10 OUTLETS Ø150/200
ACD600118	CMV INSULATED SHEET METAL PLENUM FOR FLEXIBLE CORRUGATED PIPE Ø90 12 OUTLETS Ø150/200
ACD600119	CMV INSULATED SHEET METAL PLENUM FOR FLEXIBLE CORRUGATED PIPE Ø90 4 OUTLETS Ø100/125/150
ACD600120	CMV INSULATED SHEET METAL PLENUM FOR FLEXIBLE CORRUGATED PIPE Ø90 6 OUTLETS Ø100/125/150