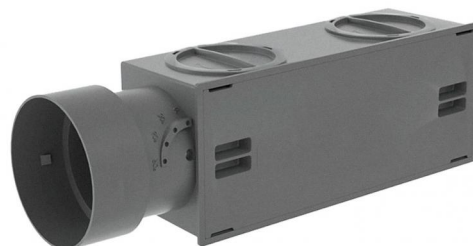


PLENUM KIT

in plastic with aesthetic grilles for MVHR

ACC600046 - ACC600047 - ACC600048
ACC600054 - ACC600087



DESCRIPTION

Plenum for MVHR made entirely from ABS plastic.

You can create the connection with the tube in the back, top, or side position.

Includes adjustment dampers and a wide range of accessories for quick and easy installation.

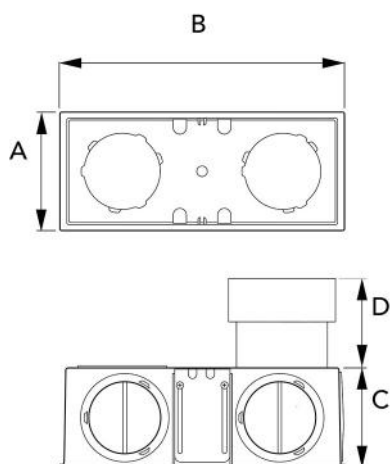
The aesthetic nozzle made from RAL 9003 white painted steel with a choice of "Juno" and "Libra" models complete the kit.

TECHNICAL SPECIFICATIONS:

- Plenum made of ABS plastic
- Includes adjustment damper
- MVHR grilles are made of steel painted RAL 9003
- Fastening by means of clips

THE KIT INCLUDES

- 1 plenum with clip attachment
- 1 protective cover
- 1 coupler kit Ø75/90
- 4 closure caps
- 4 fixing screws for bracket
- 2 adjustable fixing brackets



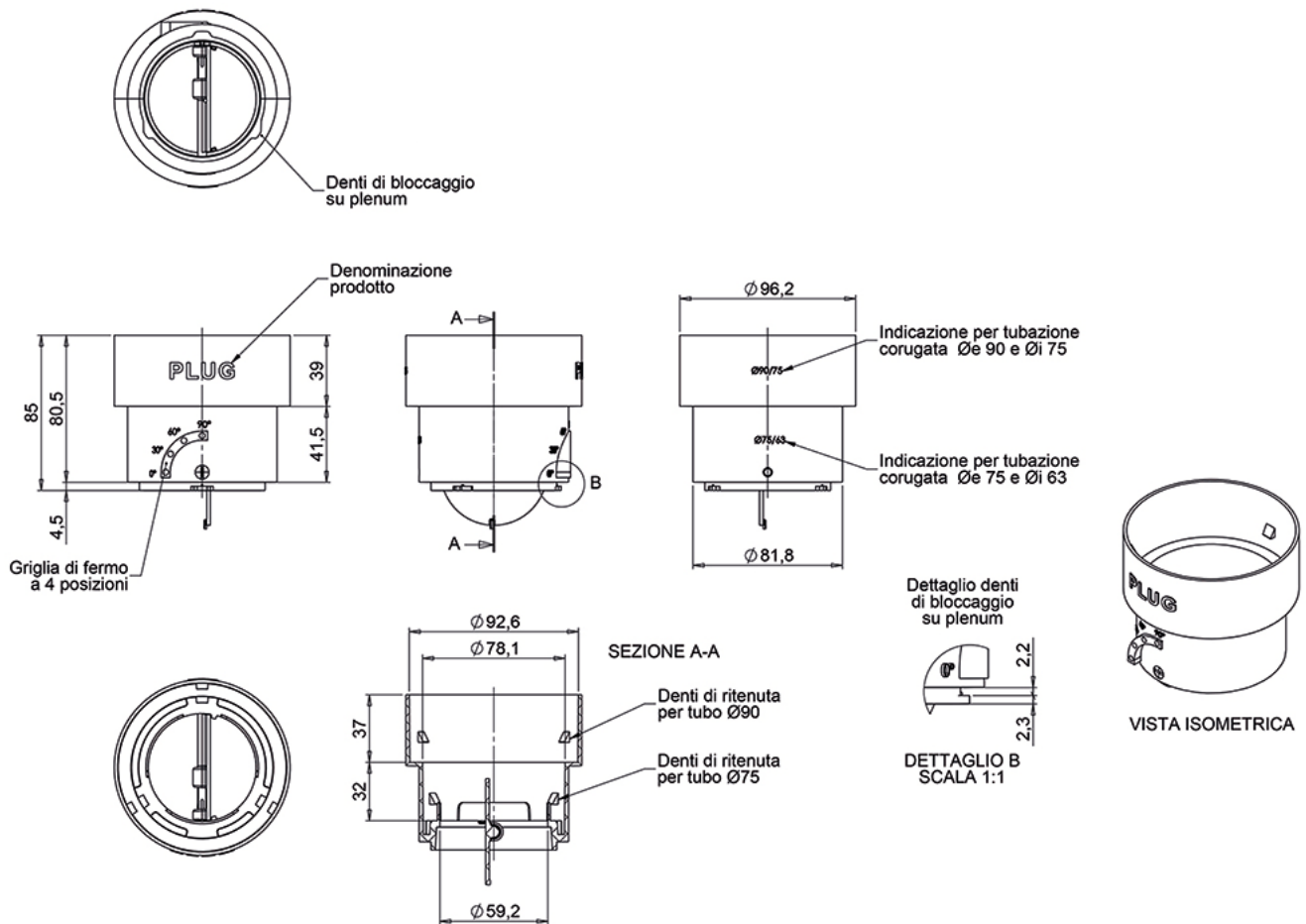
DIMENSIONS

CODE	A [mm]	B [mm]	C [mm]	D [mm]
ACC600046	106	256	90	80,5

TECHNICAL DATA FOR PLENUM KIT

CODE	External dimensions [mm]	Air flow rate [m ³ /h]
ACC600046	280 x 130	60
ACC600047	280 x 130	50

KIT ATTACCO Ø75/90 PER PLENUM GRIGLIE JUNO E LIBRA (5 PZ)



ITEMS

CODE	DESCRIPTION
ACC600046	PLASTIC PLENUM FOR VMC
ACC600047	AESTHETIC GRILLE MODEL JUNO 280x130
ACC600048	AESTHETIC GRILLE MODEL LIBRA 280x130
ACC600054	
ACC600087	