

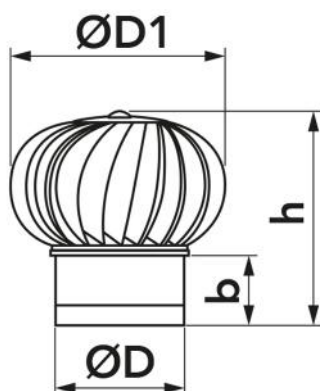
DATASHEET

rev. 00 - 20/10/2022

MADE IN ITALY

Smoke extraction cap

ACC600017 - ACC600018 - ACC600019
ACC600020



DIMENSIONS

CODE	Ø D [mm]	Ø D1 [mm]	b [mm]	h [mm]
ACC600017	100	260	100	300
ACC600018	125	260	100	300
ACC600019	150	275	100	300
ACC600020	200	275	100	300

ITEMS

CODE	DESCRIPTION
ACC600017	ROTATING CHIMNEY, Ø100
ACC600018	ROTATING CHIMNEY, Ø125
ACC600019	ROTATING CHIMNEY, Ø150
ACC600020	ROTATING CHIMNEY, Ø200