

EXCELLENS CAS

articulated corner curve

11123111 - 11123110 - N11123111
 N11123110 - E11123111 - E11123110
 SCD100024 - SCD100069 - SCD100191



TECHNICAL SPECIFICATIONS:

- Stiff, shockproof, anti-UVA and recyclable PVC
- Interlocking bottom and lid
- Duct profile locating ridge
- Large bending radius, adjustable from 90° to 135°
- Heat shrink barcode packaging
- Galvanised screws
- Paintable
- Operating temperature -20°C / +60°C

MODELS AVAILABLE:



TOP LINE - IVORY
 RAL 9002



NEW LINE - WHITE
 RAL 9010



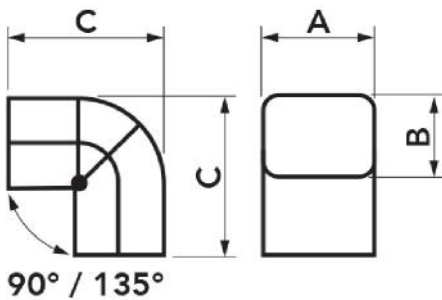
ECO LINE - PEARL
 GREY RAL 9003



BROWN LINE - BROWN
 RAL 8017



BLACK LINE - BLACK
 RAL 9005



DIMENSIONS

CODE	MODEL	LINE	A [mm]	B [mm]	C [mm]
11123111	CAS 60 - EXC	TOP LINE	66	56	104
11123110	CAS 72 - EXC	TOP LINE	78	68	120
N11123111	CAS 60 - EXC	NEW LINE	66	56	104
N11123110	CAS 72 - EXC	NEW LINE	78	68	120
E11123111	CAS 60 - EXC	ECO LINE	66	56	104
E11123110	CAS 72 - EXC	ECO LINE	78	68	120
SCD100024	CAS 72 - EXC	BROWN LINE	78	68	120
SCD100069	CAS 72 - EXC	BLACK LINE	78	68	120
SCD100191	CAS 72 - EXC	GREY LINE	78	68	120

ITEMS

CODE	DESCRIPTION
11123111	CAS 60-EXC - "EXCELLENS CAS" LINE JOINTED ELBOW
11123110	CAS 72-EXC - "EXCELLENS CAS" LINE JOINTED ELBOW
N11123111	CAS 60-EXC - "EXCELLENS CAS" LINE JOINTED ELBOW
N11123110	CAS 72-EXC - "EXCELLENS CAS" LINE JOINTED ELBOW
E11123111	CAS 60-EXC - "EXCELLENS CAS" LINE JOINTED ELBOW
E11123110	CAS 72-EXC - "EXCELLENS CAS" LINE JOINTED ELBOW
SCD100024	CAS 72-EXC - * JOINTED ELBOW " EXCELLENS CAS" MOD. CAS 72-EXC - BROWN LINE
SCD100069	CAS 72-EXC - * JOINTED ELBOW " EXCELLENS CAS" MOD. CAS 72-EXC - BLACK LINE
SCD100191	JOINTED ELBOW " EXCELLENS CAS" MOD. CAS 72-EXC - GREY LINE - CAS 72-EXC