

DATASHEET

rev. 00 - 13/11/2023

MADE IN ITALY

INFINITY

INFINITY floor support with BLUE RIVER drain pan and GENIUS 1000 fixed foot

SCD500010 - SCD500011 - SCD500292
SCD500293 - SCD500296 - SCD500297



TECHNICAL SPECIFICATIONS:

- Electro-galvanised sheet metal feet
- Polyester exterior feet painted in ivory RAL 9002
- BLUE RIVER basin in ivory ABS PMMA plastic
- Coupling for condensate drain pipe \varnothing 16
- Includes "No- Shock" 2 Hard + 2 Soft vibration-damping kit
- Genius 1000 feet with \varnothing 10 quick release pin
- Capacity 150 kg

ELECTRICAL HEATING CABLE SPECIFICATIONS:

- Heating cable diameter 6 mm
- Power supply voltage 230 V
- Resistance tolerances -5% / +10%
- Activation of element at +3 °C
- Built-in thermal sensor

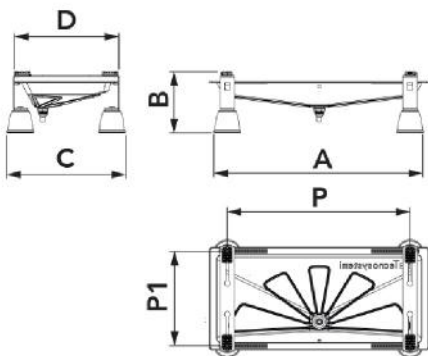
MODELS AVAILABLE:

WITH HEATING CABLE 3 m:

- Includes 15 W/m 3 m heating cable
- Coupling for condensate drain pipe \varnothing 16

WITH HEATING CABLE 3 + 3 m

- Includes 15 W/m 3 m + 3 m (6 m total) heating cable
- Coupling for condensate drain pipe \varnothing 20
- Equipped with a condensate drain pipe securing clamp
- With 3 m insulated condensate drain pipe



DIMENSIONS

CODE	A [mm]	B [mm]	C [mm]	D [mm]	P [mm]	P1 [mm]
SCD500010	850	230	460	410	400 - 800	150 - 370
SCD500011	1050	230	460	410	1000 - 400	370 - 150
SCD500292	850	230	460	410	800 - 400	370 - 150
SCD500293	1050	230	460	410	1000 - 400	370 - 150
SCD500296	850	230	460	410	800 - 400	370 - 150
SCD500297	1050	230	460	410	1000 - 400	370 - 150

TECHNICAL DATA

CODE	LOAD CAPACITY [kg]
SCD500010	150
SCD500011	150
SCD500292	150
SCD500293	150
SCD500296	150
SCD500297	150

- Heating cable diameter 6 mm
- Power supply voltage 230 V
- Resistance tolerances -5% / +10%
- Activation of element at +3 °C
- Built-in thermal sensor

ITEMS

CODE	DESCRIPTION
SCD500010	FLOOR STAND "INFINITY" W/ SMALL DRAIN PAN "BLUE RIVER + FIXED FEET "GENIUS 1000"
SCD500011	FLOOR STAND "INFINITY" W/ LARGE DRAIN PAN "BLUE RIVER + FIXED FEET "GENIUS 1000"
SCD500292	FLOOR STAND "INFINITY" W/ SMALL DRAIN PAN "BLUE RIVER + 3 MT CABLE + FIXED FEET "GENIUS 1000"
SCD500293	FLOOR STAND "INFINITY" W/ LARGE DRAIN PAN "BLUE RIVER + 3 MT CABLE + FIXED FEET "GENIUS 1000"
SCD500296	FLOOR STAND "INFINITY" W/ SMALL DRAIN PAN "BLUE RIVER + 6 MT CABLE + FIXED FEET "GENIUS 1000"
SCD500297	FLOOR STAND "INFINITY" W/ LARGE DRAIN PAN "BLUE RIVER + 6 MT CABLE + FIXED FEET "GENIUS 1000"