

DATASHEET

rev. 02 - 20/03/2024

MADE IN ITALY

OPTIMA T

standard duct

SCD100136 - 11130062 - 11130075
11130100 - SCD100123 - SCD100146
SCD100147 - SCD100148 - SCD100197
SCD100198 - SCD100199



TECHNICAL SPECIFICATIONS:

- Stiff, shockproof, anti-UVA PVC, white or grey, recyclable
- Sharp-edged bottom
- Pre-punched slots for wall mounting
- Prepared for insertion of the mini pumps Easy Flow, Easy One, Aqua Split (only model T 75-OPT)
- Central closure with patented accidental anti-release
- Rounded cover
- Bar length 2 m
- Paintable
- Operating temperature -20°C / +60°C

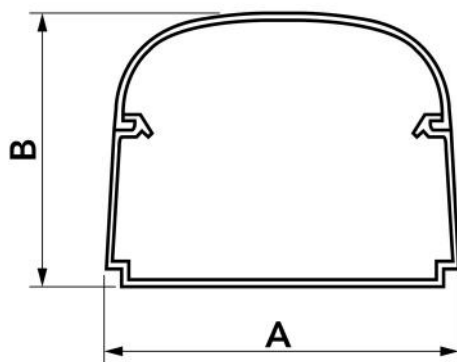
MODELS AVAILABLE:



WHITE RAL 9010



GREY
ANTRACITE RAL
7016



DIMENSIONS

CODE	MODEL	A [mm]	B [mm]
SCD100136	T 35 - OPT	32	28
11130062	T 62 - OPT	62	46
11130075	T 75 - OPT	74	56
11130100	T 102 - OPT	100	66
SCD100123	T 135 - OPT	135	82
SCD100146	T 75 - OPT	74	56
SCD100147	T 102 - OPT	100	66
SCD100148	T 135 - OPT	135	82
SCD100197	T 75 - OPT	74	56
SCD100198	T 102 - OPT	100	66
SCD100199	T 135 - OPT	135	82

ITEMS

CODE	DESCRIPTION
SCD100136	T35 -OPT - "OPTIMA T" T35 TRUNKING - 2 mt. long
11130062	T62 -OPT - "OPTIMA T" T62 TRUNKING - 2 mt. long
11130075	T75 -OPT - "OPTIMA T" T75 LINE TRUNKING - 2 mt. long
11130100	T102 -OPT - "OPTIMA T" T102 LINE TRUNKING - 2 mt. long
SCD100123	T135 -OPT - "OPTIMA T" T135 LINE TRUNKING - 2 mt. long
SCD100146	"OPTIMA T" T75 LINE TRUNKING - 2 mt. Long - ANTHRACITE GREY Mod. T75 -OPT
SCD100147	"OPTIMA T" T102 LINE TRUNKING - 2 mt. Long - ANTHRACITE GREY Mod. T102 -OPT
SCD100148	"OPTIMA T" T135 LINE TRUNKING - 2 mt. Long - ANTHRACITE GREY Mod. T1352 -OPT
SCD100197	"OPTIMA T" T75 LINE TRUNKING - 2 mt. Long - BLACK - RAL 9005 - T75 -OPT
SCD100198	"OPTIMA T" T102 LINE TRUNKING - 2 mt. Long - BLACK - RAL 9005 - T102 -OPT
SCD100199	"OPTIMA T" T135 LINE TRUNKING - 2 mt. Long - BLACK - RAL 9005 - T1352 -OPT