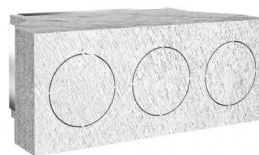


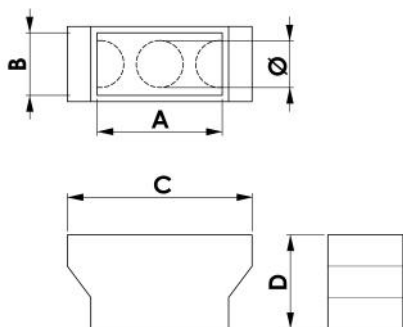
## Distribution plenum in PAL prepared for 3 outputs $\varnothing$ 150 / 200

PWD600037 - PWD600038



### TECHNICAL SPECIFICATIONS PAL:

- Coated on both sides with embossed aluminium with thickness: 80  $\mu$ m
- Aluminium flange supplied
- Material thickness 20 mm
- Density: 49 kg/m<sup>3</sup>
- Reaction to fire class: B-s3,d0
- Temperature: -30°C to +80°C



### DIMENSIONS

CODE	A [mm]	B [mm]	C [mm]	D [mm]	COLLAR [mm]
PWD600037	400	200	590	300	3 x 150
PWD600038	600	300	740	300	3 x 200

### ITEMS

CODE	DESCRIPTION
PWD600037	DISTRIBUTION PLENUM FITTED FOR R 3 OUTLETS $\varnothing$ 150
PWD600038	