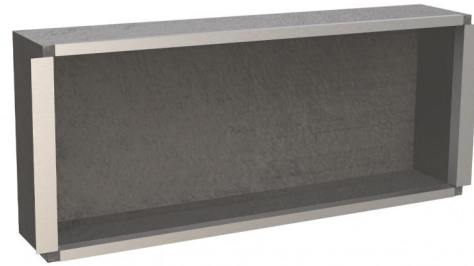


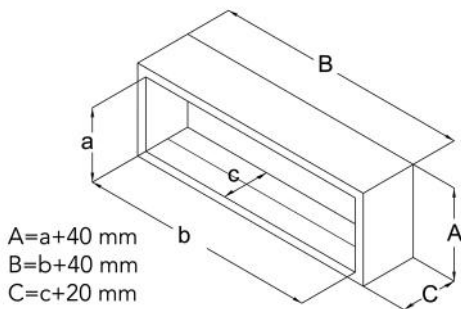
## Intake plenum in PLA ready for filter

PWD401710 - PWD401711 - PWD401712  
PWD401713



### TECHNICAL SPECIFICATIONS:

- Material: 80μ high quality aluminum foil, embossed and lacquered, insulated by a rigid polyisocyanurate foam (PIR)
- Thickness 20 mm
- Fire-retardant, waterproof, highly heat-insulating
- Includes fastening flange to the internal unit
- Prepared with housing for 5mm thickness filter ordered separately
- Filter 5 mm can be inspected from below



### DIMENSIONS

CODE	MODEL	a [mm]	b [mm]	c [mm]
PWD401710	mod. 1	≤400	≤1000	≤180
PWD401711	mod. 2	≤400	≤1200	≤180
PWD401712	mod. 3	≤400	≤1500	≤180
PWD401713	mod. 4	≤400	≤1700	≤180

## ITEMS

CODE	DESCRIPTION
PWD401710	RETURN PLENUM ARRANGED FOR FILTER INSERTION - INNER DIMS. L1000xH400xP180
PWD401711	RETURN PLENUM ARRANGED FOR FILTER INSERTION - INNER DIMS. L1200xH400xP180
PWD401712	RETURN PLENUM ARRANGED FOR FILTER INSERTION - INNER DIMS. L1500xH400xP180
PWD401713	RETURN PLENUM ARRANGED FOR FILTER INSERTION - INNER DIMS. L1700xH400xP180