

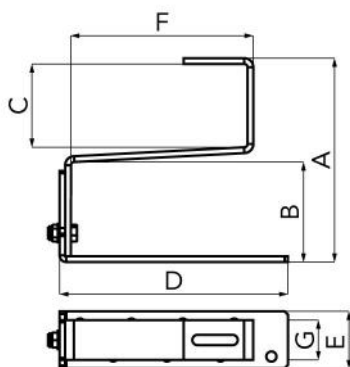
DATASHEET

rev. 00 - 00-00-0000

GTCR-1

adjustable bent tile roof hook

FVD300001 - FVD300001BOX



DIMENSIONS

CODE	A [mm]	B [mm]	C [mm]	D [mm]	E [mm]	F [mm]	G [mm]
FVD300001	180/210	83	73	200	50	190	30
FVD300001BOX	180/210	83	73	200	50	190	30

ITEMS

CODE	DESCRIPTION
FVD300001	ADJUSTABLE HOOK FOR TILE ROOFS
FVD300001BOX	ADJUSTABLE HOOK FOR TILE ROOFS - BOX 10 pcs