

DATASHEET

rev. 00 - 03/11/2023

MADE IN ITALY

LEONIDA

bracket

SCD500210 - SCD500211

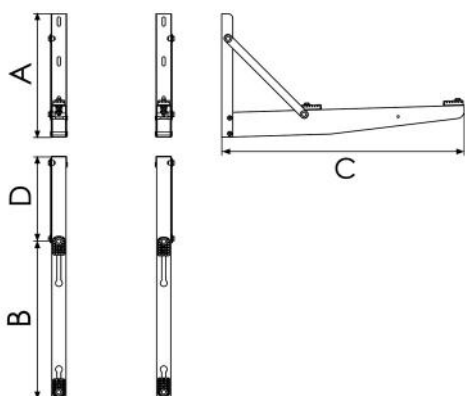


TECHNICAL SPECIFICATIONS:

- Made of electro-galvanised sheet metal
- External polyester painting RAL 9002
- "NO-SHOCK" vibration dampers supplied

PACK COMPLETE WITH

- "No-Shock" sliding vibration dampers
- screws



DIMENSIONS

CODE	A [mm]	B [mm]	C [mm]	D [mm]	LOAD CAPACITY [kg]
SCD500210	400	300+490	785	275+400	150
SCD500211	400	300+490	785	275+400	185

ITEMS

CODE	DESCRIPTION
SCD500210	BRACKET "LEONIDA" 785x2 (LOAD CAPACITY 150 kg)
SCD500211	BRACKET "LEONIDA" 785x3 (LOAD CAPACITY 185 kg)