

DATASHEET

rev. 02 - 20/04/2023

MADE IN ITALY

TSCT

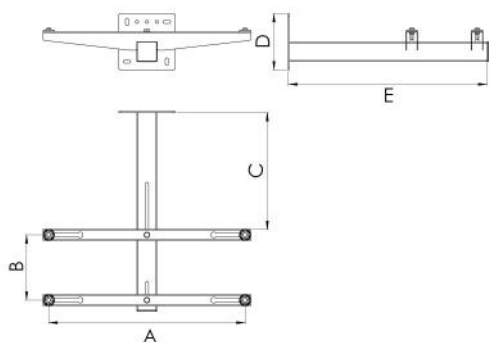
telescopic wall bracket for thermal insulation

SCD500141



TECHNICAL SPECIFICATIONS:

- Made of electro-galvanised sheet metal
- External polyester painting
- Vibration dampers supplied
- Fixing plugs not supplied
- Fixing template supplied
- Thermal recovery insulation, supplied
- Aesthetic finishing plates supplied
- Possibility of installing the SCD500080 tray support on the insulation bracket



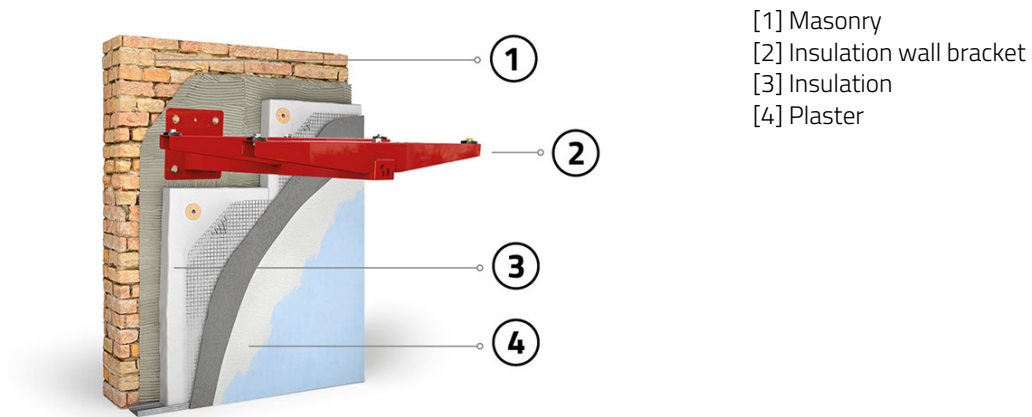
DIMENSIONS

CODE	A [mm]	B [mm]	C [mm]	D [mm]	E [mm]	LOAD CAPACITY [kg]
SCD500141	490 + 690	230 + 410		200	700	90

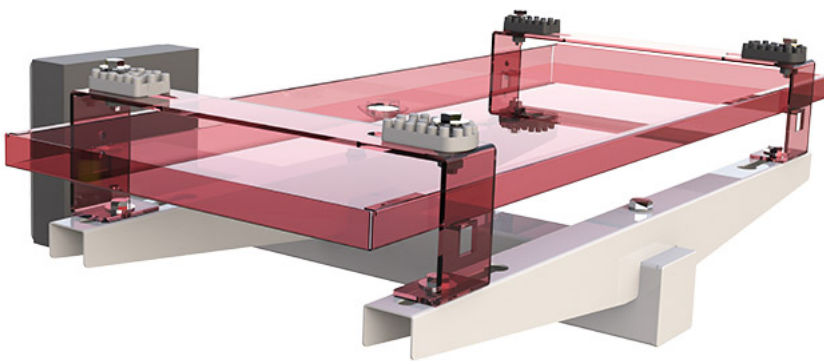
PACK COMPLETE WITH

- sliding vibration dampers
- thermal recovery insulation pad 10 cm
- 1 instruction booklet
- cover for infill

EXAMPLE OF INSTALLATION:



EXAMPLE OF INSTALLATION:



Basin support SCD500080 can be installed on the insulation bracket

ITEMS

CODE	DESCRIPTION
SCD500141	TELESCOPIC BRACKET FOR THERMAL CLADDING "TSCT"