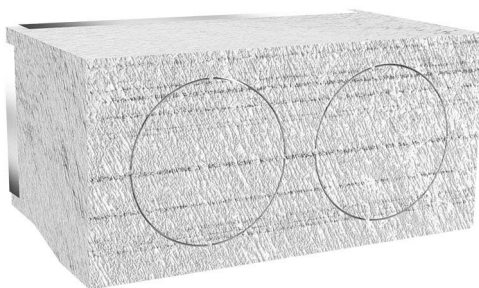


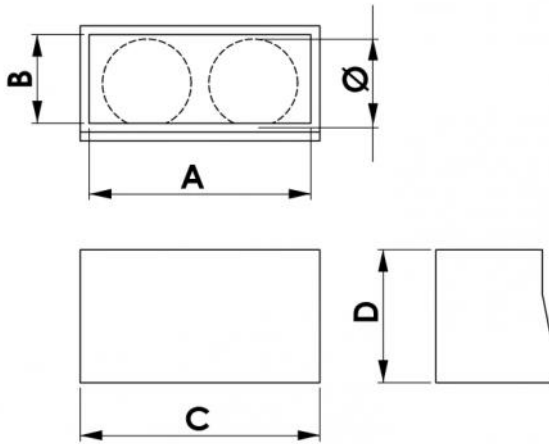
Distribution plenum in PAL prepared for 2 outputs Ø 200

- cod. PWD600041



TECHNICAL SPECIFICATIONS PAL:

- Coated on both sides with embossed aluminium with thickness: 80 µm
- Aluminium flange supplied
- Material thickness 20 mm
- Density: 49 kg/m³
- Reaction to fire class: B-s3,d0
- Temperature: -30°C to +80°C



DIMENSIONS

CODE	A [mm]	B [mm]	C [mm]	D [mm]	Ø [mm]
PWD600041	500	200	540	300	2 x 200

ITEMS

CODE	DESCRIPTION
PWD600041	DISTRIBUTION PLENUM FITTED FOR R 2 OUTLETS Ø200

All rights relating to this publication are the exclusive property of Tecnosystemi SpA.
 Tecnosystemi SpA reserves the right to make changes at any time and without notice, for technical or commercial needs.