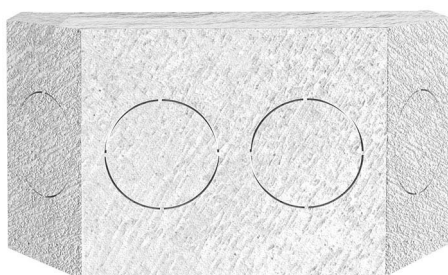


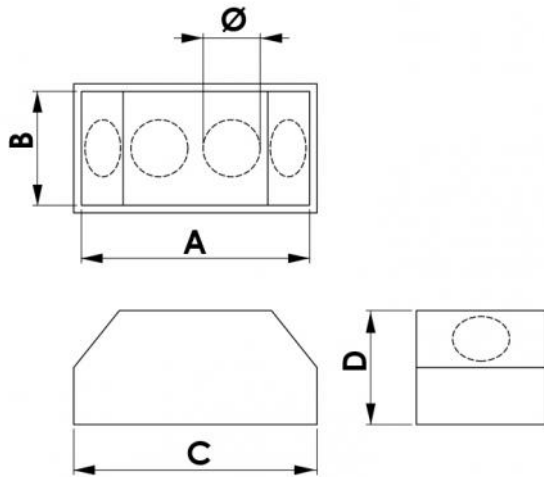
# Distribution plenum in PAL prepared for 4 outputs Ø 150

- cod. PWD600040



## TECHNICAL SPECIFICATIONS PAL:

- Coated on both sides with embossed aluminium with thickness: 80 µm
- Aluminium flange supplied
- Material thickness 20 mm
- Density: 49 kg/m<sup>3</sup>
- Reaction to fire class: B-s3,d0
- Temperature: -30°C to +80°C



## DIMENSIONS

CODE	A [mm]	B [mm]	C [mm]	D [mm]	Ø [mm]
PWD600040	600	300	640	300	4 x 150

## ITEMS

CODE	DESCRIPTION
PWD600040	DISTRIBUTION PLENUM FITTED FOR R 4 OUTLETS Ø150

All rights relating to this publication are the exclusive property of Tecnosystemi SpA.  
 Tecnosystemi SpA reserves the right to make changes at any time and without notice, for technical or commercial needs.