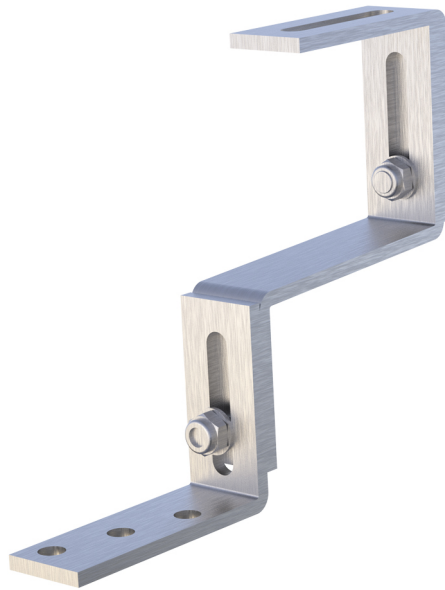


FSDR

support with double adjustment for fixing on roofs with roof tiles and tiles

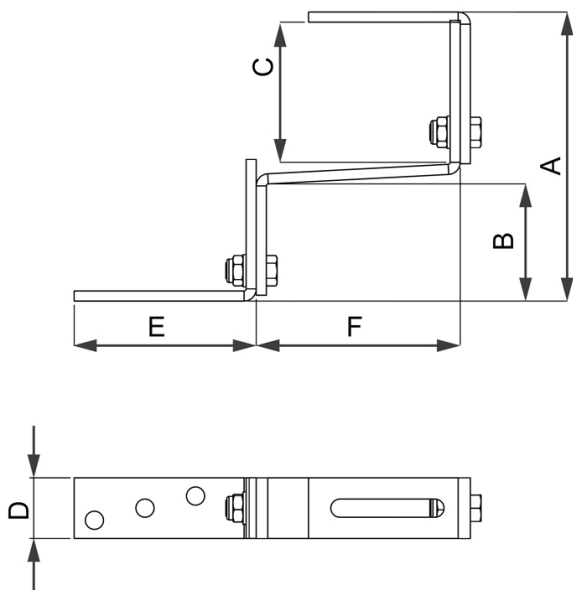
- cod. 11110765 - cod. 11110765BOX



TECHNICAL SPECIFICATIONS:

- Material: AISI 304 stainless steel
- Flexural modulus of elasticity: 196000 N/mm²
- Tensile breaking load: 515 N/mm²

TECHNICAL DRAWING:

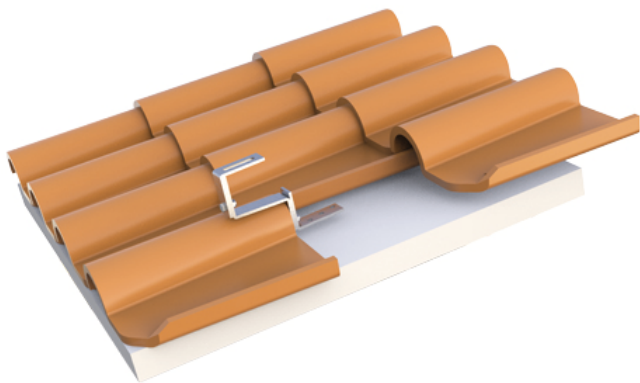


FULL SIZED:

CODE	A [mm]	B [mm]	C [mm]	D [mm]	E [mm]	F [mm]
11110765	145 - 220	55 - 95	75 - 115	30	90	100
11110765BOX	145 - 220	55 - 95	75 - 115	30	90	100

APPLICATION:

Fixing of photovoltaic systems on roofing tiles supported by strips of varying thickness.



ITEMS

CODE	DESCRIPTION
11110765	INOX AISI 304 ADJUSTABLE SUPPORT FOR FIXING INTO ROOFS MOD. FSDR
11110765BOX	INOX AISI 304 ADJUSTABLE SUPPORT FOR FIXING INTO ROOFS MOD. FSDR - box 10 PCS

All rights relating to this publication are the exclusive property of Tecnosystemi SpA.
Tecnosystemi SpA reserves the right to make changes at any time and without notice, for technical or commercial needs.

