

# DATASHEET

rev. 00 - 20/10/2022

90° fitting for Ø 92 flexible hose and grid

30100220



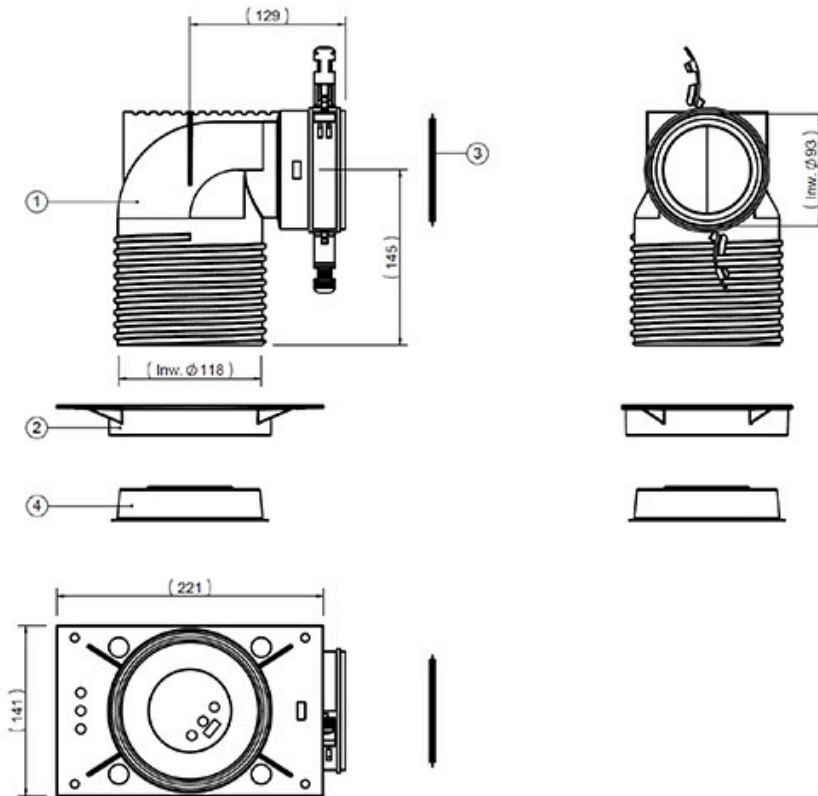
## DESCRIPTION

90° connection for Ø92 flexible hose and grille.  
Suitable for installing the two Lucina and Cloe grilles without any adapters

## TECHNICAL SPECIFICATIONS:

- Material: PP
- Blue finish RAL 5015

## DIMENSIONS



## ITEMS

CODE	DESCRIPTION
30100220	FITTING 90° D.92