

DATASHEET

rev. 00 - 19/10/22

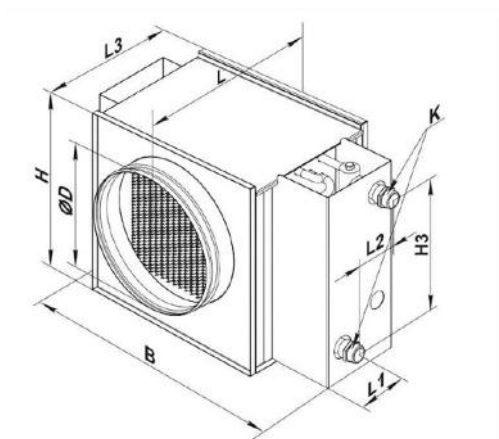
Hot water coil for heat recovery unit

30370025 - 30370030 - 30370035
30370040 - 30370045 - 30370050



TECHNICAL SPECIFICATIONS:

- To be used indoors with ambient temperature between +1 and +50 °C
- Max temperature: +100 °C
- Maximum pressure at +100 °C: 16 MPa (16 bar)
- Designed for cold weather and temperature zones
- Copper hoses, aluminium finned pack
- Galvanized steel case



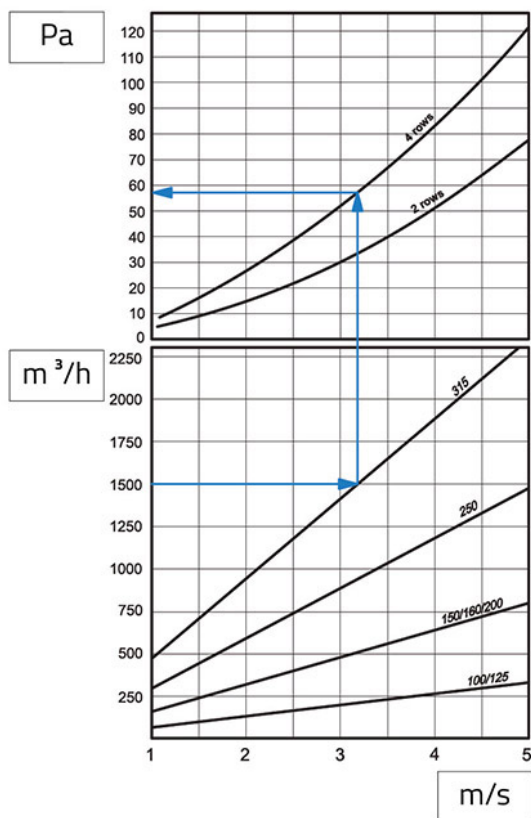
DIMENSIONS

CODE	MOD.	Ø D [mm]	B [mm]	H [mm]	H3 [mm]	L [mm]	L1 [mm]	L2 [mm]	L3 [mm]	K [mm]
30370025	200 - 2	198	400	280	200	300	32	43	220	G 3/4"
30370030	200 - 4	198	400	280	200	300	28	65	220	G 3/4"
30370035	250 - 2	248	470	350	270	350	32	43	270	G 1"
30370040	250 - 4	248	470	350	270	350	28	65	270	G 1"
30370045	315 - 2	313	550	430	350	450	57	43	370	G 1"
30370050	315 - 4	313	550	430	350	450	53	65	370	G 1"

TECHNICAL DATA

NO.OF COIL ROWS	AIR FLOW RATE [m ³ /h]	WEIGHT [kg]
2	600	7,5
4	600	8,2
2	900	10,3
4	900	10,8
2	1420	12,6
4	1420	13,4

PRESSURE LOSS DIAGRAM



ITEMS

CODE	DESCRIPTION
30370025	HOT WATER COIL FOR HEAT-RECOVERY UNITS 200-2
30370030	HOT WATER COIL FOR HEAT-RECOVERY UNITS 200-4
30370035	HOT WATER COIL FOR HEAT-RECOVERY UNITS 250-2
30370040	HOT WATER COIL FOR HEAT-RECOVERY UNITS 250-4
30370045	HOT WATER COIL FOR HEAT-RECOVERY UNITS 315-2
30370050	HOT WATER COIL FOR HEAT-RECOVERY UNITS 315-4