

DATASHEET

rev. 00 - 20/10/2022

MADE IN ITALY

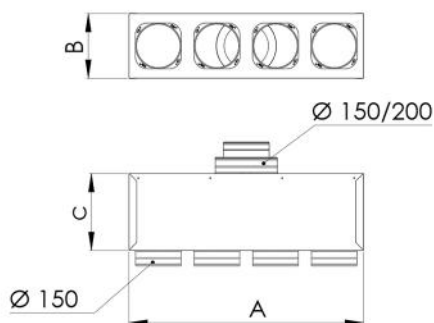
Insulated box in sheet metal for flexible ducted pipe 2 - 3 - 4 - 5 outputs \varnothing 150

ACD600001 - ACD600002 - ACD600003
ACD600004



TECHNICAL SPECIFICATIONS:

- Made of galvanized sheet metal
- External insulation in 3 mm thick polyethylene
- Air inlet collar with double diameter with hose connection \varnothing 150 - 200
- Outgoing collars as shown in the table
- Complete with brackets for ceiling mounting



DIMENSIONS

CODE	A [mm]	B [mm]	C [mm]	INPUT \varnothing [mm]	No. of OUTLETS - \varnothing [mm]
ACD600001	380	210	250	150 / 200	2 - 150
ACD600002	570	210	250	150 / 200	3 - 150
ACD600003	760	210	250	150 / 200	4 - 150
ACD600004	950	210	250	150 / 200	5 - 150

ITEMS

CODE	DESCRIPTION
ACD600001	INSULATED SHEET METAL PLENUM FOR FLEXIBLE HOSE WITH 2 OUTLETS, Ø150
ACD600002	INSULATED SHEET METAL PLENUM FOR FLEXIBLE HOSE WITH 3 OUTLETS, Ø150
ACD600003	INSULATED SHEET METAL PLENUM FOR FLEXIBLE HOSE WITH 4 OUTLETS, Ø150
ACD600004	INSULATED SHEET METAL PLENUM FOR FLEXIBLE HOSE WITH 5 OUTLETS, Ø150