

AirFor3 Wall

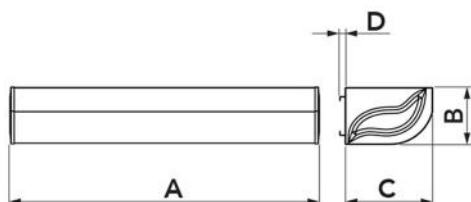
Barriera d'aria centrifuga ad aspirazione superiore

12450050 - 12450060 - 12450070



TECHNICAL SPECIFICATIONS:

- 3 models in white with speed controller supplied
- Air curtains are designed for indoor use
- Upper air intake
- The unit must be installed horizontally.
- Maximum installation height 3 m



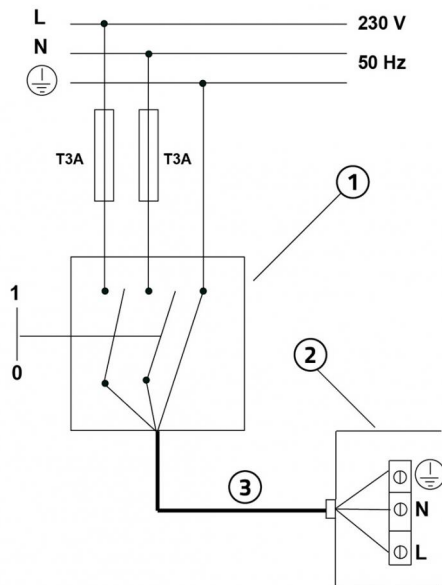
DIMENSIONS

CODE	MODEL	A [mm]	B [mm]	C [mm]	SUITABLE FOR LARGE DOORS [mm]
12450050	1000	1012	279	455	L1000 H3000
12450060	1500	1512	279	455	L1500 H3000
12450070	2000	2012	279	455	L2000 H3000

TECHNICAL DATA

CODE	SUPPLY VOLTAGE [V]	FREQUENCY [Hz]	AIR SPEED AT INLET [m/s]	AIR FLOW RATE [m³/h]	SOUND POWER LEVEL [DB(A)]	WEIGHT [kg]
12450050	230 ac	50	12	1596	58	23,8
12450060	230 ac	50	12.5	2125	60	32,8
12450070	230 ac	50	13	3195	62	48,2

SINGLE-PHASE POWER SUPPLY AND WIRING DIAGRAM

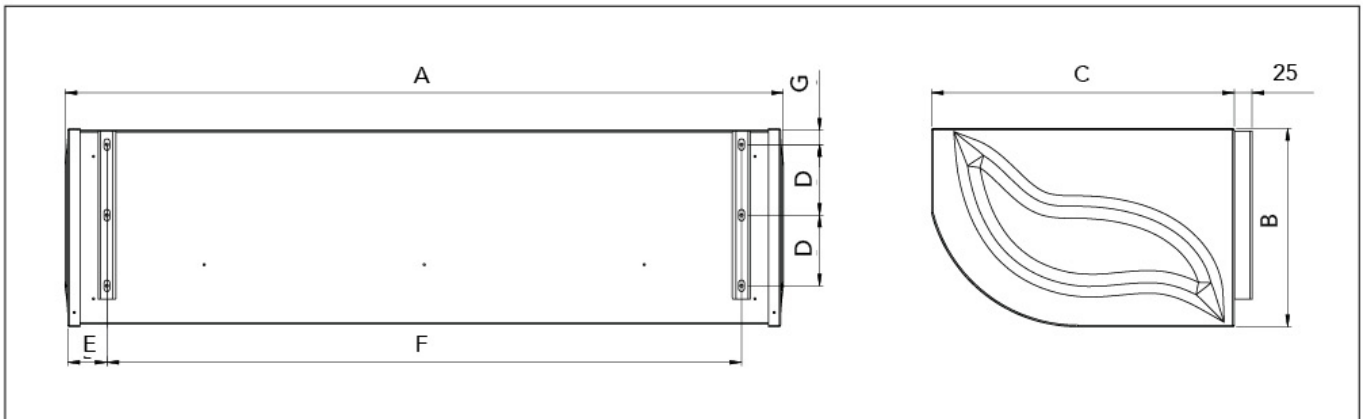


- [1] Omnipolar thermal magnetic protection switch compliant with EN 61508:1
- [2] Power cable 3x2.5 mm²
- [3] Electrical connection box

IMPORTANT!

During the electrical connection, the installer must comply with the polarities indicated by the plate in front of the power supply terminal board.

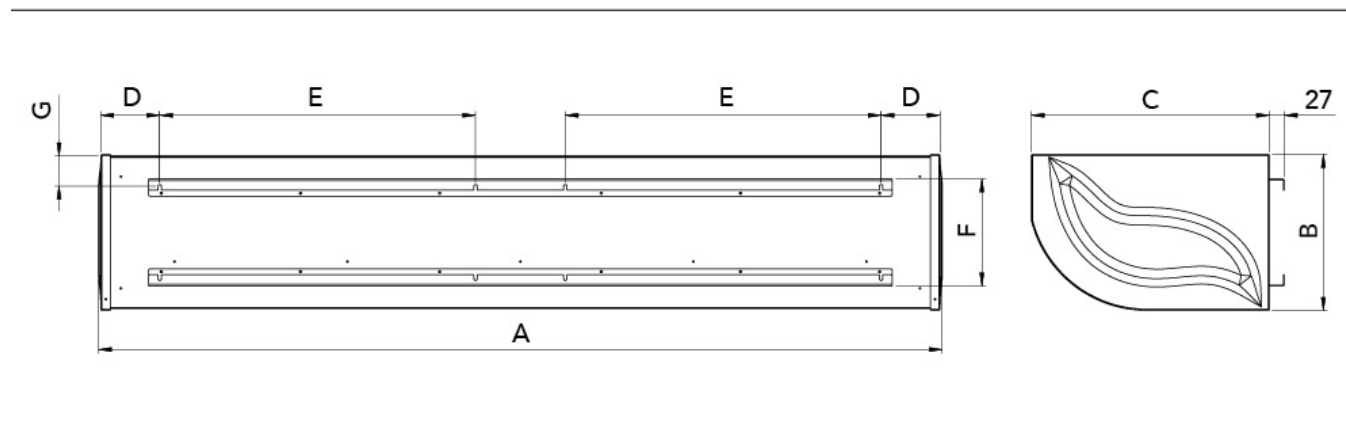
WALL-MOUNTED DRILLING SPACING MODEL 1000



DIMENSIONAL TABLE

CODE	A [mm]	B [mm]	C [mm]	D [mm]	E [mm]	F [mm]	G [mm]
12450050	1010	280	425	99	55	895	20

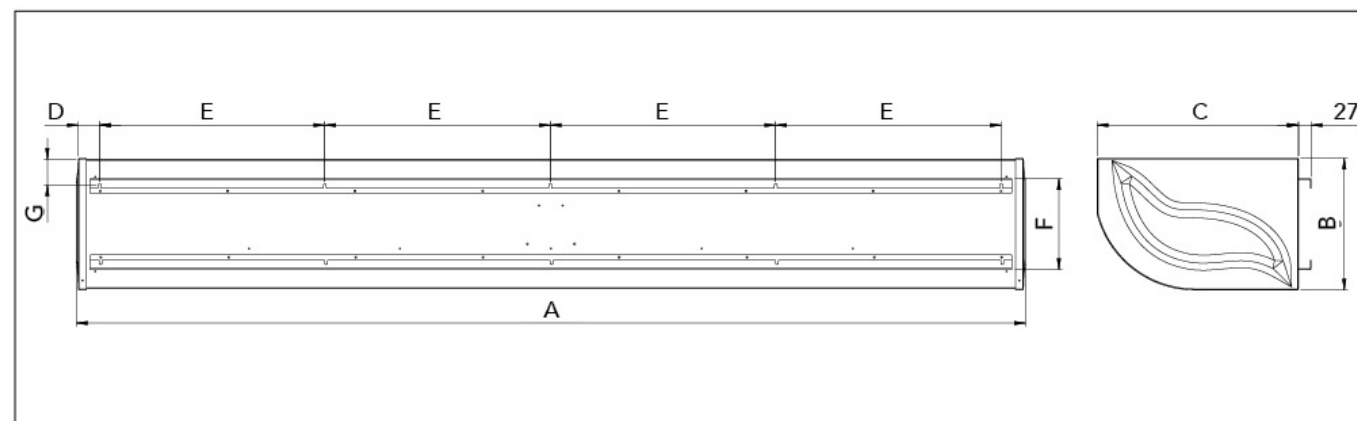
WALL-MOUNTED DRILLING SPACING MODEL 1500



DIMENSIONAL TABLE

CODE	A [mm]	B [mm]	C [mm]	D [mm]	E [mm]	F [mm]	G [mm]
12450050	1510	280	425	105	565	190	55

WALL-MOUNTED DRILLING SPACING MODEL 2000



DIMENSIONAL TABLE

CODE	A [mm]	B [mm]	C [mm]	D [mm]	E [mm]	F [mm]	G [mm]
12450050	2010	280	425	45	478	190	55

ITEMS

CODE	DESCRIPTION
12450050	"AIRFOR3 WALL" CENTRIFUGAL AIR CURTAINS 1000
12450060	"AIRFOR3 WALL" CENTRIFUGAL AIR CURTAINS 1500
12450070	"AIRFOR3 WALL" AIR CURTAINS 2000