

# DATASHEET

rev. 00 - 29/11/2022

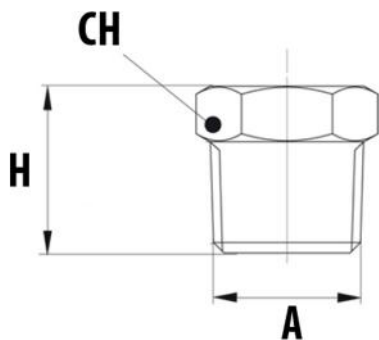
## Male cap

26003200 - 26003210 - 26003220  
26003230 - 26003240



### TECHNICAL SPECIFICATIONS:

- Made of brass
- Application in hydraulics
- Gas thread
- Maximum operating temperature +130°C



### DIMENSIONS

CODE	A	CH	H [mm]
26003200	1/4"	14	14
26003210	3/8"	17	17
26003220	1/2"	26	17
26003230	3/4"	26	17
26003240	1"	35	23

## ITEMS

CODE	DESCRIPTION
26003200	
26003210	
26003220	
26003230	
26003240	