

BLUE RIVER

condensate drain pan in anthracite grey
with heating cable

SCD300053 - SCD300054 - SCD300055
SCD300056 - SCD300057 - SCD300058



TECHNICAL SPECIFICATIONS:

- Made of ABS + PMMA plastic in anthracite grey RAL 7016
- Adjustable fastening brackets in PA6
- Coupling for condensate drain pipe \varnothing 20 mm
- With 3 m or 6 m heating cable
- Heating cable diameter 6 mm
- Power supply voltage 230 V
- Resistance tolerances: -5% / +10%
- Activation of element at +3°C
- Built-in thermal sensor

WITH HEATING CABLE 3 m:

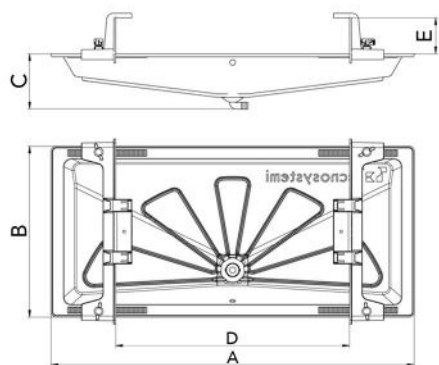


- Includes 15 W/m 3 m heating cable
- Coupling for condensate drain pipe \varnothing 16
- Heating cable diameter 6 mm
- Power supply voltage 230 Vac - 50 Hz
- Resistance tolerances: -5% / +10%
- Activation of element at +3°C
- Built-in thermal sensor

WITH HEATING CABLE 3+3 m:



- Includes 15 W/m 3 m + 3 m (6 m) heating cable
- Coupling for condensate drain pipe \varnothing 20
- Equipped with a condensate drain pipe securing clamp
- With 3 m insulated condensate drain pipe
- Heating cable diameter 6 mm
- Power supply voltage 230 V
- Resistance tolerances: -5% / +10%
- Activation of element at +3°C
- Built-in thermal sensor



DIMENSIONS

CODE	A [mm]	B [mm]	C [mm]	D [mm]	E [mm]
SCD300053	850	400	130	320 ÷ 680	85
SCD300054	850	400	130	320 ÷ 680	85
SCD300055	1050	400	125	330 ÷ 885	85
SCD300056	1050	400	125	330 ÷ 885	85
SCD300057	1250	500	100	565 ÷ 1125	85
SCD300058	1250	500	100	565 ÷ 1125	85

ITEMS

CODE	DESCRIPTION
SCD300053	
SCD300054	
SCD300055	
SCD300056	
SCD300057	
SCD300058	