

DATASHEET

rev. 00 - 17/10/2022

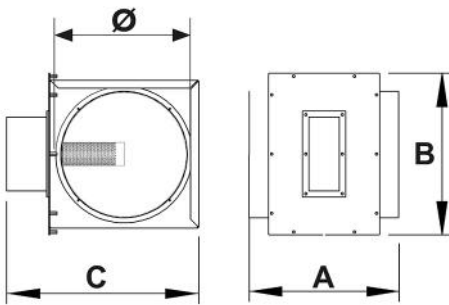
Sheet metal insulated ductable box
equipped with bactericidal sanitising lamp
with photoinitiator

ACD600029 - ACD600030 - ACD600031
ACD600032 - ACD600033



TECHNICAL SPECIFICATIONS:

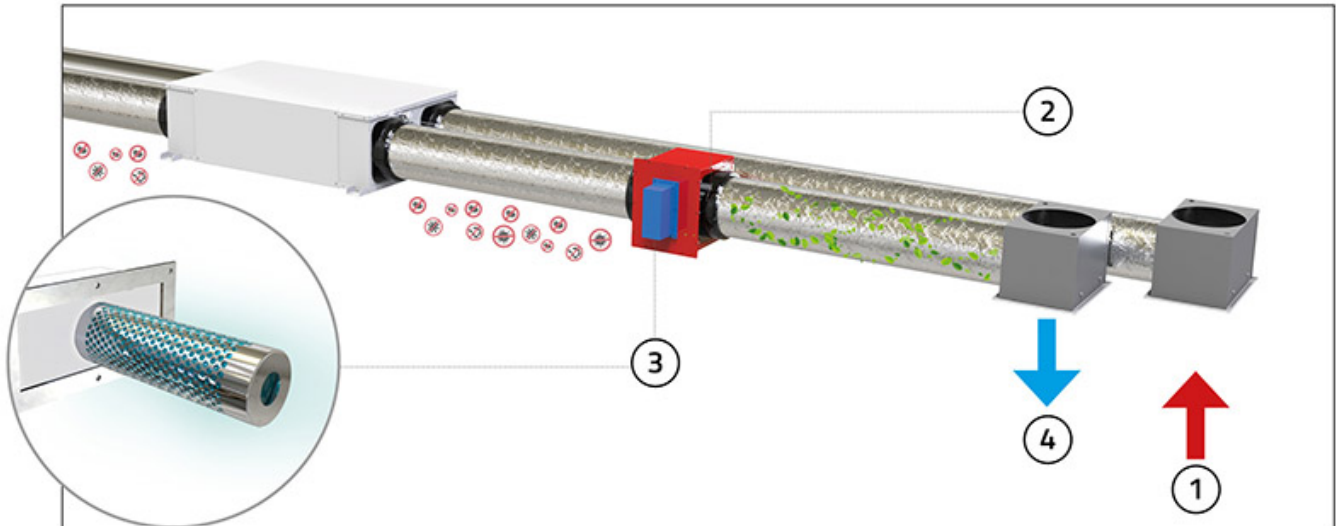
- Made of galvanized sheet metal
- External insulation in 3 mm thick polyethylene
- Equipped with 2 inlet / outlet collars
- Equipped with bactericidal sanitising lamp with photoinitiator



DIMENSIONS

CODE	INSTALLED LIGHT CODE	A [mm]	B [mm]	C [mm]	INPUT Ø [mm]	OUTPUTS Ø [mm]
ACD600029	HCC300016	397	270	330		150/200
ACD600030	HCC300016	294	320	382		250
ACD600031	HCC300017	294	370	430		300
ACD600032	HCC300018	294	420	468		350
ACD600033	HCC300010	294	525	540		450

EXAMPLE OF INSTALLATION:



[1] Air intake

[2] Insulated box door bactericidal sanitising lamp with photoinitiator

[3] Bactericidal sanitising lamp with photoinitiator

[4] Air delivery

ITEMS

CODE	DESCRIPTION
ACD600029	HOLDER BOX IN INSULATED SHEET METAL FOR SANITISING BACTERICIDAL LAMP FOR Ø150 / Ø200
ACD600030	HOLDER BOX IN INSULATED SHEET METAL FOR SANITISING BACTERICIDAL LAMP FOR Ø250
ACD600031	HOLDER BOX IN INSULATED SHEET METAL FOR SANITISING BACTERICIDAL LAMP FOR Ø300
ACD600032	HOLDER BOX IN INSULATED SHEET METAL FOR SANITISING BACTERICIDAL LAMP FOR Ø350
ACD600033	HOLDER BOX IN INSULATED SHEET METAL FOR SANITISING BACTERICIDAL LAMP FOR Ø450