

TOTAL AIR 200

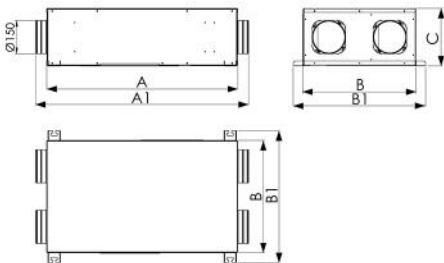
analysable high-efficiency ceiling-mounted static heat recovery unit with automatic mechanical by-pass

ACD200065 - ACC200015 - ACC200016



TECHNICAL SPECIFICATIONS:

- For false ceiling installation
- Power supply 230V - 50Hz
- Centrifugal EC motors
- Removable grade G4 filters
- Ø 150 mm couplings
- High-efficiency polystyrene heat exchanger pack
- Removable delivery and intake filters
- Equipped with coupling for condensate drain
- Equipped with automatic bypass activation
- Includes wall-mounted control panel with dirty filter alert



DIMENSIONS

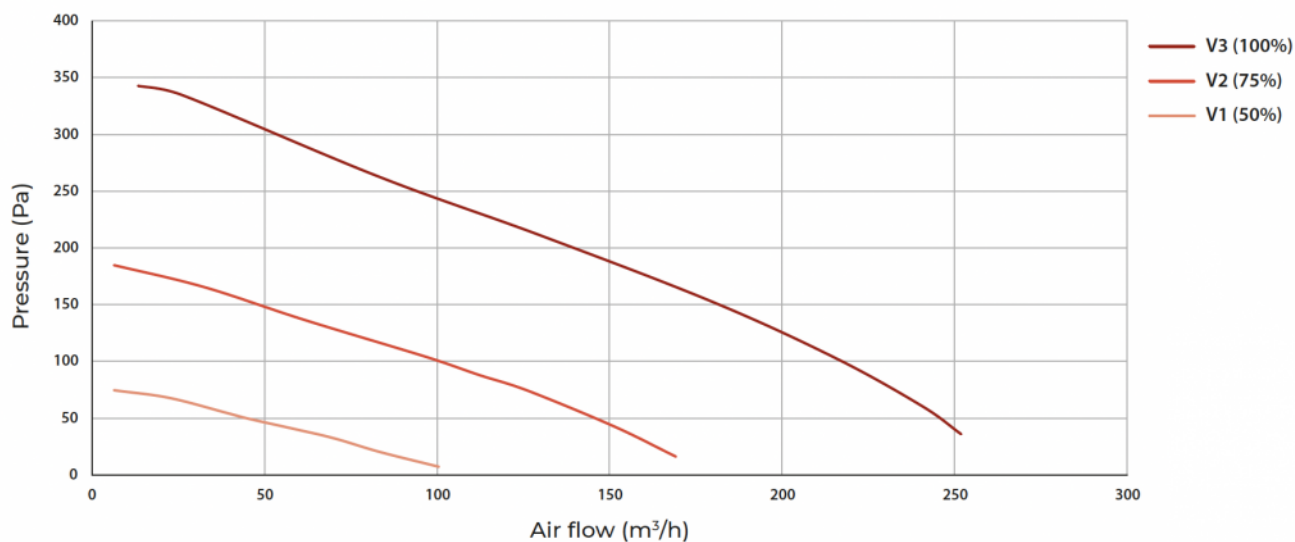
CODE	A [mm]	A1 [mm]	B [mm]	B1 [mm]	C [mm]
ACD200065	850	1050	500	615	260

DATI ELETTRICI E PRESTAZIONALI

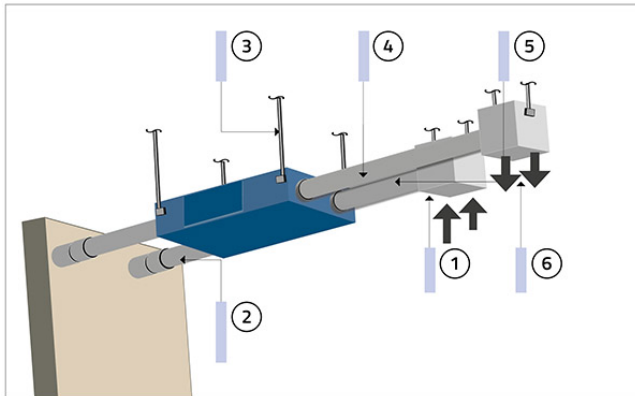
SPECIFICATIONS	DATA
Tipologia	Unità di ventilazione Residenziale Bidirezionale
Alimentazione Elettrica	230 V - 50 Hz
Potenza elettrica assorbita alla portata massima [W]	85
PORTATA MASSIMA (a 100 Pa) [m ³ /h]	215
Efficienza termica del pacco di scambio	85%
Classe energetica (Classe SEC clima temperato)	A
Tipologia di recupero del calore	A recupero
Tipologia di controllo	Controllo ambientale locale

TECHNICAL SPECIFICATIONS HEAT RECOVERY UNIT

SPECIFICATIONS	DATA
Body material	Electro-galvanised-plated sheet
Insulation	Polietilene a celle chiuse 3 mm
Filtro: mandata/ripresa	G4
Ø condotti [mm]	150
Type of heat recovery unit	Cross-flow



HEAT RECOVERY UNIT INSTALLATION DIAGRAM



- [1] Air intake
- [2] Intake duct from the outside
- [3] Fastenings of the machine to the ceiling
- [4] Delivery air passage duct
- [5] Recovery air passage duct
- [6] Air delivery

CONTROL PANEL

The "Total Air 200" ceiling-mounted high efficiency heat recovery unit has a wall-mounted control panel with the following functions:



- [1] Operating modes
- [2] Main field
- [3] Manual/automatic fan speed
- [4] Fan speed indication
- [5] Temperature measurement unit
- [6] Function locked
- [7] Set Point
- [8] Time slots active
- [9] Current time slots
- [10] Day of the week
- [10] Dirty filter alarm
- [12] Secondary field

ELECTRICAL CONNECTIONS

The connection required by the heat recovery unit is essentially the power supply connection.

The power is nothing more than the power supply 230V-50Hz-1Ph.

On the power supply line it is good to provide upstream both a disconnector and a differential circuit breaker switch.

ACCESSORI OPTIONAL

- Terminale di configurazione avanzata per installatore (optional)
- Cavo connessione terminale di configurazione avanzata per installatore (optional)



ITEMS

CODE	DESCRIPTION
ACD200065	TOTAL AIR 200 HIGH-EFFICIENCY CEILING-MOUNTED DUCTABLE STATIC HEAT RECOVERY UNIT WITH AUTOMATIC MECHANICAL BY-PASS
ACC200015	
ACC200016	